



AERO 8 PARTS BOOK

VERSION 2.1



AERO 8 PARTS BOOK

VERSION 2.1

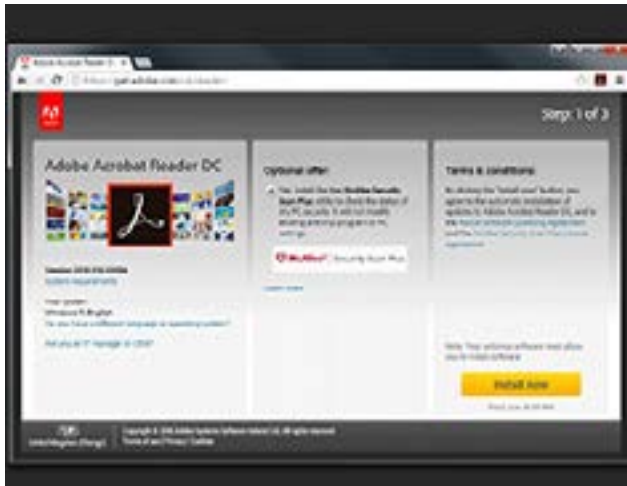
FEBRUARY 2018

All part numbers and descriptors are correct at the time of publication but may be subject to change.
Please note, due to the nature of production, individual assemblies may vary.

Please respect the environment, do you need to print this document?

Morgan Motor Company,
Pickersleigh Road,
Malvern,
Worcestershire,
WR14 2LL,
+44 (0)1684 573104

HOW TO USE THIS BOOK



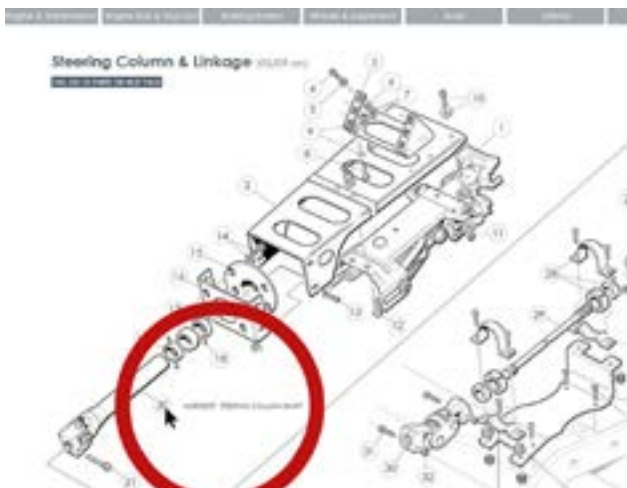
Download the latest version of **Adobe Reader** to make the most of the latest features and to gain access to the powerful new document search engine.



Open the Parts Book.
Click on the magnifying glass icon.
A new pallet appears.
In the pallet type a key word to search.
Click the 'Next' button.



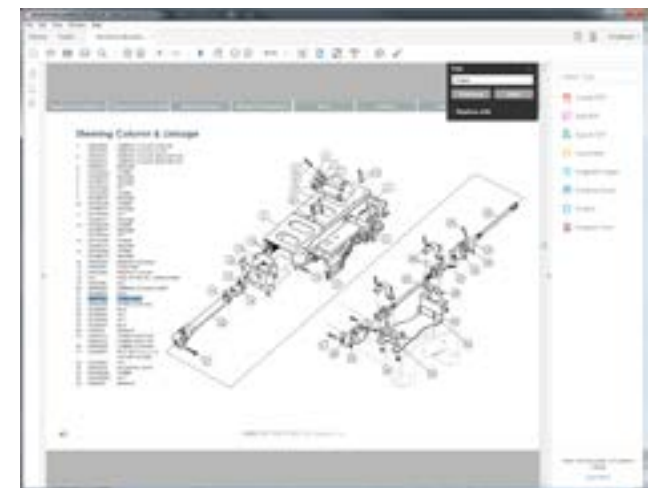
The first instance of your key word is displayed.
Keep clicking the 'Next' button until the required part is found.
For general searches, simply click on the navigation tabs at the top of the page.



Individual part numbers can be revealed by hovering over item numbers...



...while a full list is usually found on the next page.



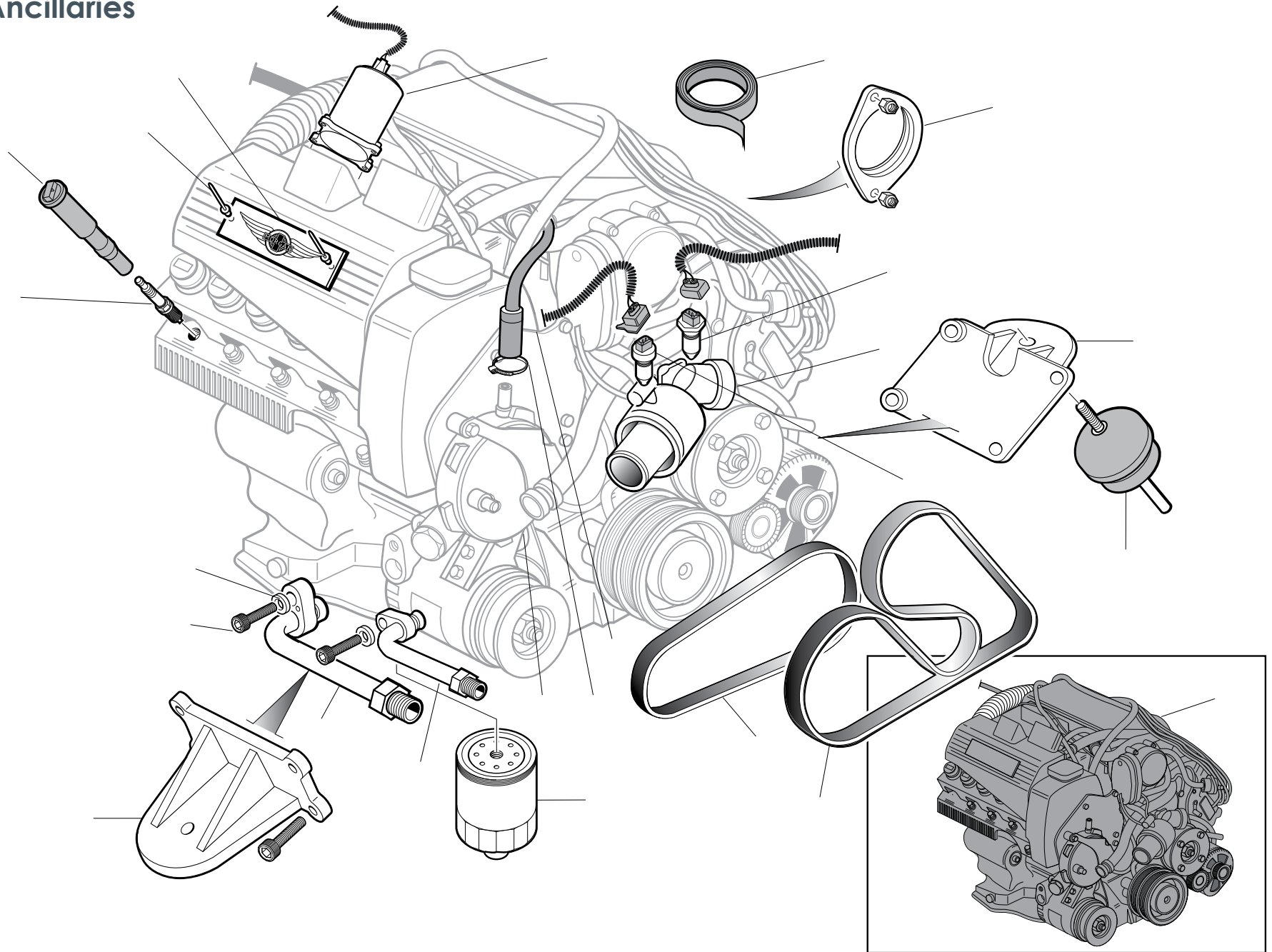
On pages containing a full list, items can be selected, copied and pasted into another document.



ENGINE AND TRANSMISSION

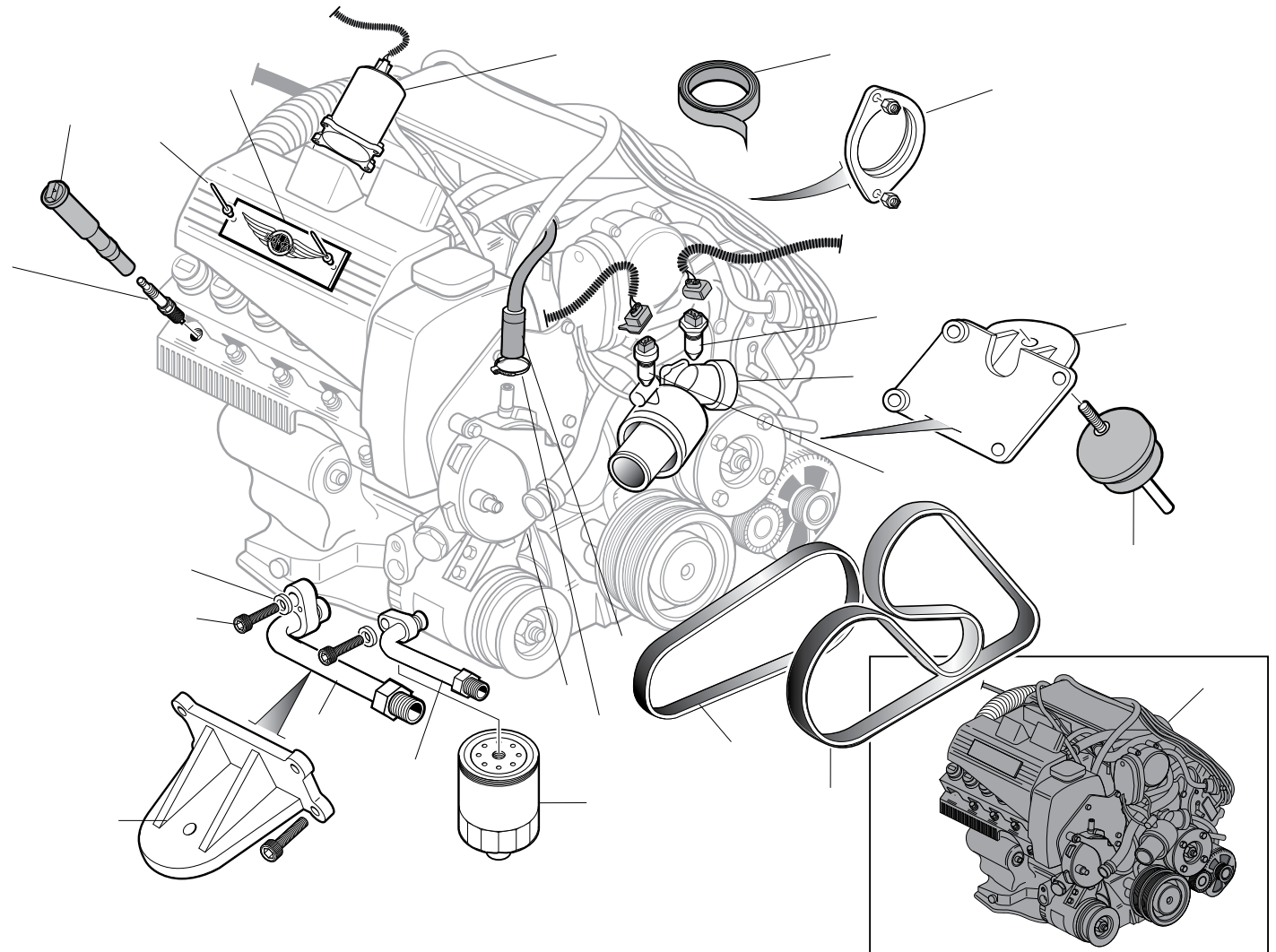
AERO 8 PARTS BOOK Version 2.1

Engine & Ancillaries



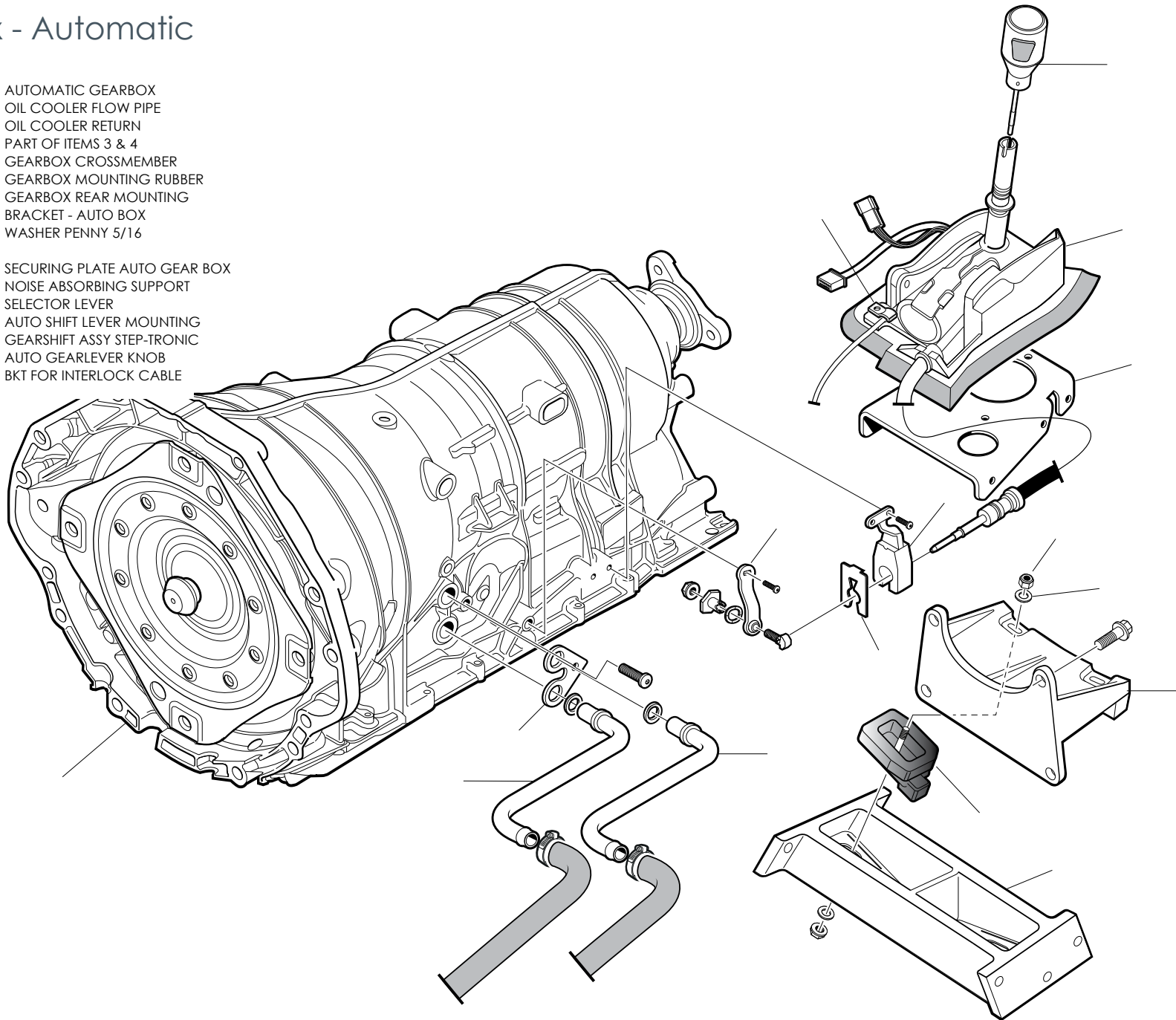
Engine & Ancillaries

- | | | |
|-----|----------|------------------------------|
| 1. | MEP33406 | OIL FILTER 4.8 |
| 2. | MEC03660 | DRIVE BELT AIR CON |
| 3. | U190034 | POWER STEERING BELT |
| 4. | MEC1505 | ENGINE MOUNTING RUBBER |
| 5. | SP130177 | THERMOSTAT +8 |
| 6. | SP130178 | TEMP SENSOR +8 |
| 7. | MEA22146 | BELLOUSING BLANKING |
| 8. | RUP0105 | GEARBOX SEAL RUBBER |
| 9. | E130045 | VVT ACTUATOR |
| 10. | MBC08721 | BADGE ENGINE COVER |
| 11. | MGR0066 | RIVET |
| 12. | E130044 | COIL PACK |
| 13. | MEE04460 | SPARK PLUG |
| 14. | MCA14151 | AIR CON HOSE TO HEATER |
| 15. | | WASHER FLAT 5/16 |
| 16. | | SOCKET CAP HD M8x50 DACROMET |
| 17. | MEC12105 | ENGINE MOUNT BKT RH |
| 18. | MCA14150 | AIR CON HOSE TO RADIATOR |
| 19. | MEC01516 | SECONDARY AIR PUMP HOSE |
| 20. | MGC0022 | CLIP |
| 21. | MCA07002 | HOSE |
| 22. | SP130179 | MAP SENSOR +8 |
| 23. | MEC12107 | ENGINE MOUNT BKT LH |
| 24. | MEA23101 | ENGINE 4.8 MANUAL |
| | MEA23102 | ENGINE 4.8 AUTO |



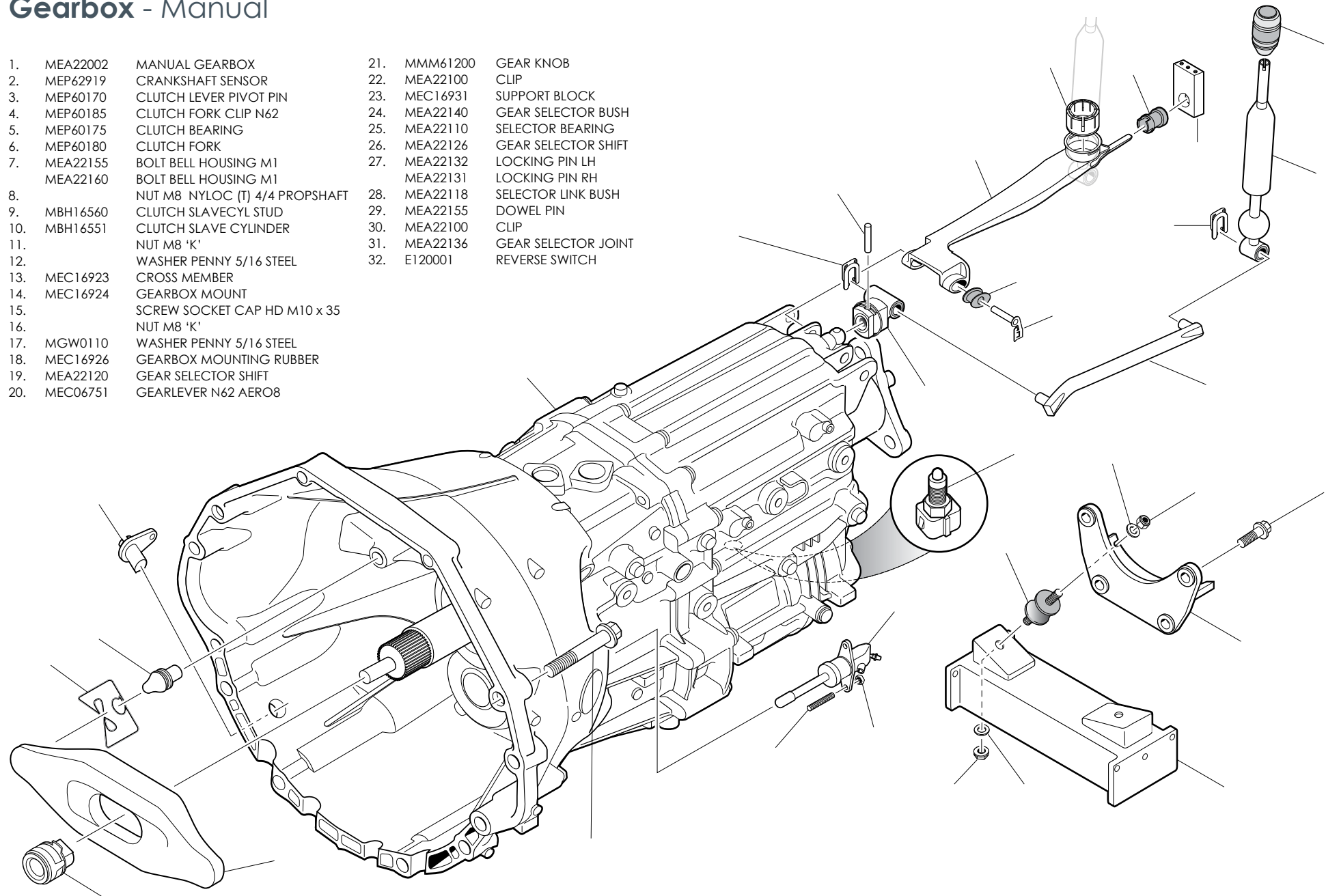
Gearbox - Automatic

- | | | |
|-----|----------|--|
| 1. | MEA22003 | AUTOMATIC GEARBOX |
| 2. | MEP64508 | OIL COOLER FLOW PIPE |
| 3. | MEP64510 | OIL COOLER RETURN |
| 4. | NSS | PART OF ITEMS 3 & 4 |
| 5. | MEC16935 | GEARBOX CROSSMEMBER |
| 6. | MEC16928 | GEARBOX MOUNTING RUBBER |
| 7. | MEC16925 | GEARBOX REAR MOUNTING BRACKET - AUTO BOX |
| 8. | MGW0110 | WASHER PENNY 5/16 |
| 9. | NUT M8 K | |
| 10. | MEC16958 | SECURING PLATE AUTO GEAR BOX |
| 11. | MEC16952 | NOISE ABSORBING SUPPORT |
| 12. | MEC16949 | SELECTOR LEVER |
| 13. | B060116 | AUTO SHIFT LEVER MOUNTING |
| 14. | MEC16946 | GEARSHIFT ASSY STEP-TRONIC |
| 15. | MMM61202 | AUTO GEARLEVER KNOB |
| 16. | MEC16970 | BKT FOR INTERLOCK CABLE |



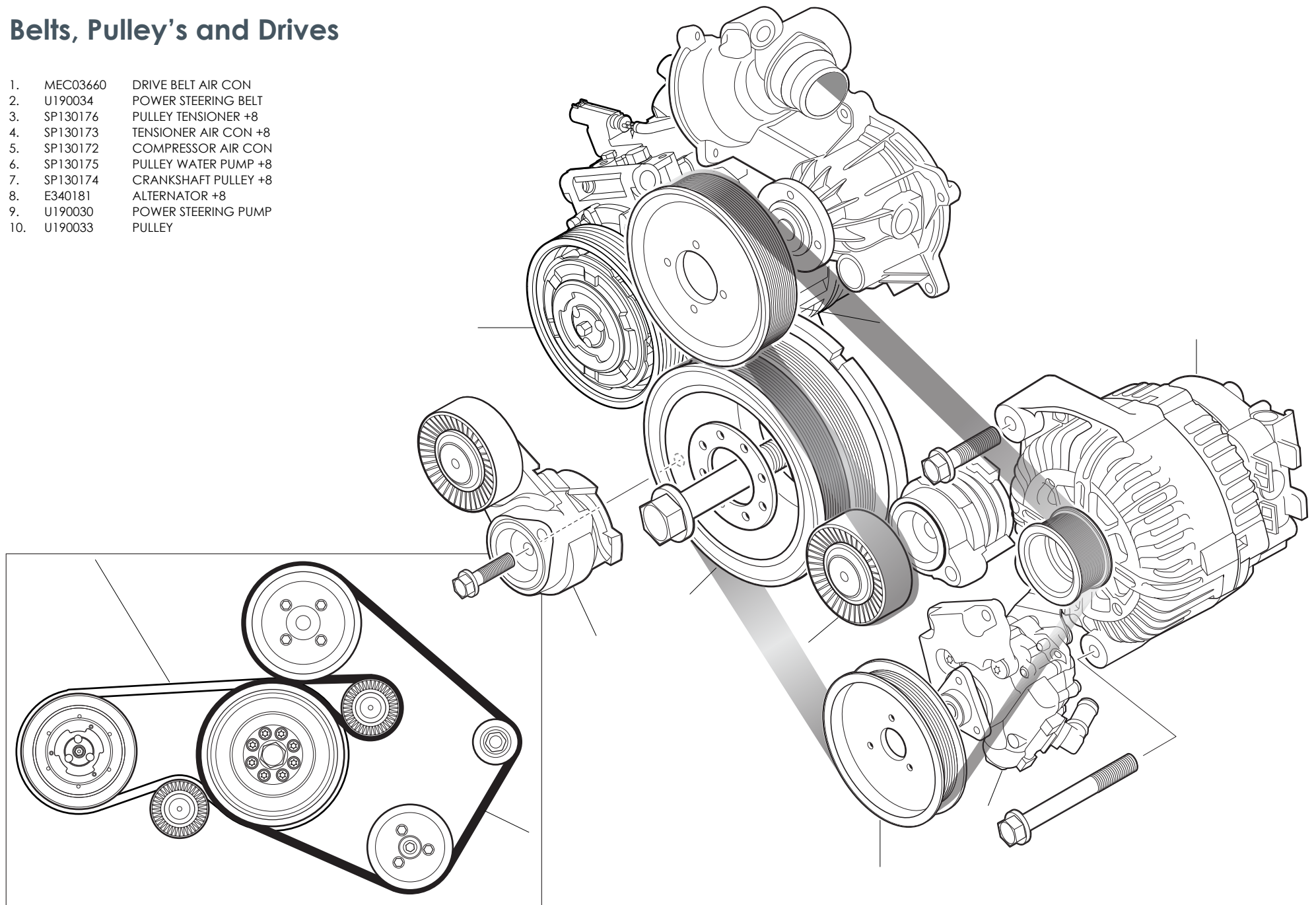
Gearbox - Manual

- | | | | | | |
|-----|----------|--------------------------------|-----|----------|---------------------|
| 1. | MEA22002 | MANUAL GEARBOX | 21. | MMM61200 | GEAR KNOB |
| 2. | MEP62919 | CRANKSHAFT SENSOR | 22. | MEA22100 | CLIP |
| 3. | MEP60170 | CLUTCH LEVER PIVOT PIN | 23. | MEC16931 | SUPPORT BLOCK |
| 4. | MEP60185 | CLUTCH FORK CLIP N62 | 24. | MEA22140 | GEAR SELECTOR BUSH |
| 5. | MEP60175 | CLUTCH BEARING | 25. | MEA22110 | SELECTOR BEARING |
| 6. | MEP60180 | CLUTCH FORK | 26. | MEA22126 | GEAR SELECTOR SHIFT |
| 7. | MEA22155 | BOLT BELL HOUSING M1 | 27. | MEA22132 | LOCKING PIN LH |
| | MEA22160 | BOLT BELL HOUSING M1 | | MEA22131 | LOCKING PIN RH |
| 8. | | NUT M8 NYLOC (T) 4/4 PROPSHAFT | 28. | MEA22118 | SELECTOR LINK BUSH |
| 9. | MBH16560 | CLUTCH SLAVECYL STUD | 29. | MEA22155 | DOWEL PIN |
| 10. | MBH16551 | CLUTCH SLAVE CYLINDER | 30. | MEA22100 | CLIP |
| 11. | | NUT M8 'K' | 31. | MEA22136 | GEAR SELECTOR JOINT |
| 12. | | WASHER PENNY 5/16 STEEL | 32. | E120001 | REVERSE SWITCH |
| 13. | MEC16923 | CROSS MEMBER | | | |
| 14. | MEC16924 | GEARBOX MOUNT | | | |
| 15. | | SCREW SOCKET CAP HD M10 x 35 | | | |
| 16. | | NUT M8 'K' | | | |
| 17. | MGW0110 | WASHER PENNY 5/16 STEEL | | | |
| 18. | MEC16926 | GEARBOX MOUNTING RUBBER | | | |
| 19. | MEA22120 | GEAR SELECTOR SHIFT | | | |
| 20. | MEC06751 | GEARLEVER N62 AERO8 | | | |



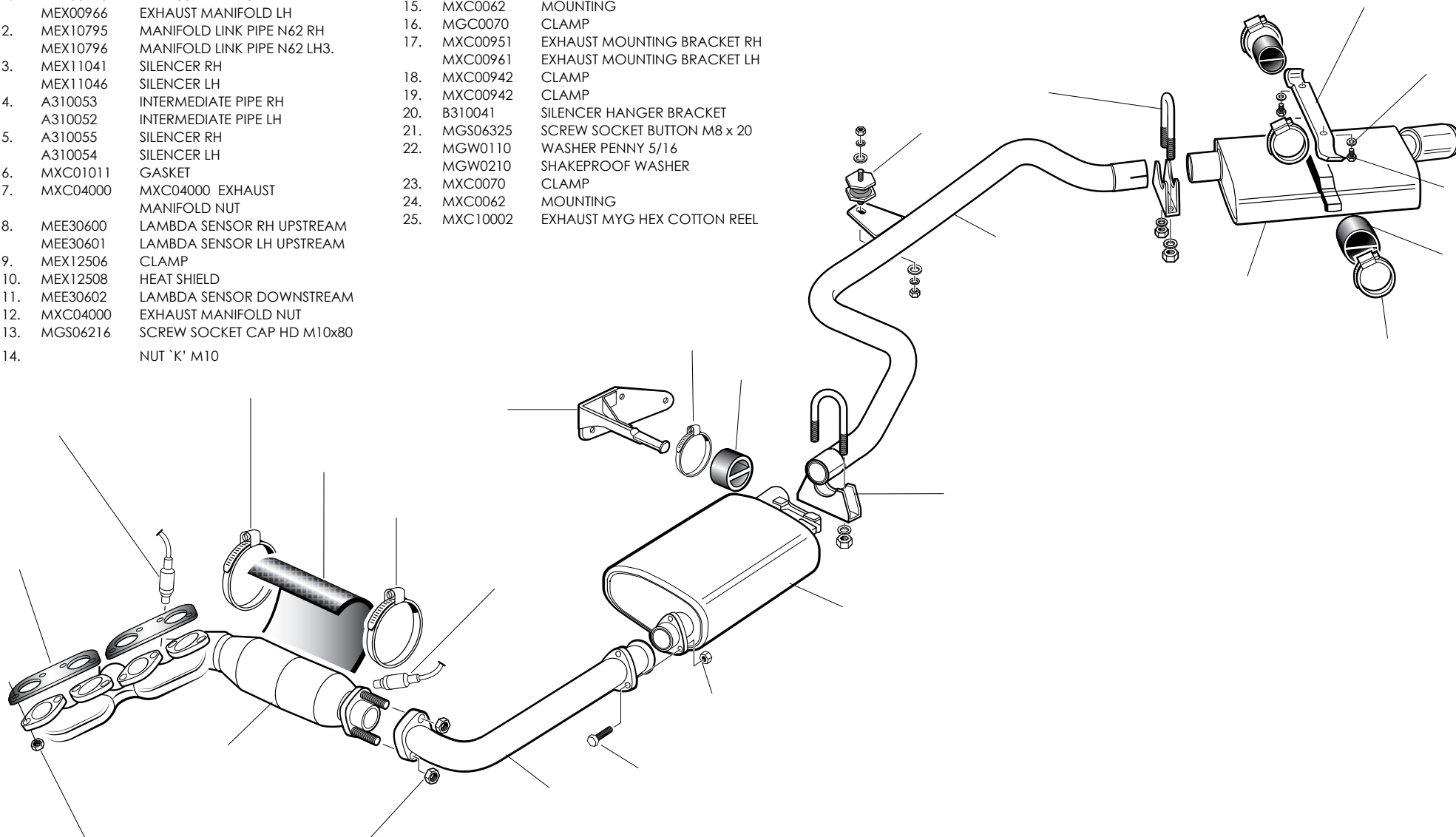
Belts, Pulley's and Drives

- | | | |
|-----|----------|----------------------|
| 1. | MEC03660 | DRIVE BELT AIR CON |
| 2. | U190034 | POWER STEERING BELT |
| 3. | SP130176 | PULLEY TENSIONER +8 |
| 4. | SP130173 | TENSIONER AIR CON +8 |
| 5. | SP130172 | COMPRESSOR AIR CON |
| 6. | SP130175 | PULLEY WATER PUMP +8 |
| 7. | SP130174 | CRANKSHAFT PULLEY +8 |
| 8. | E340181 | ALTERNATOR +8 |
| 9. | U190030 | POWER STEERING PUMP |
| 10. | U190033 | PULLEY |



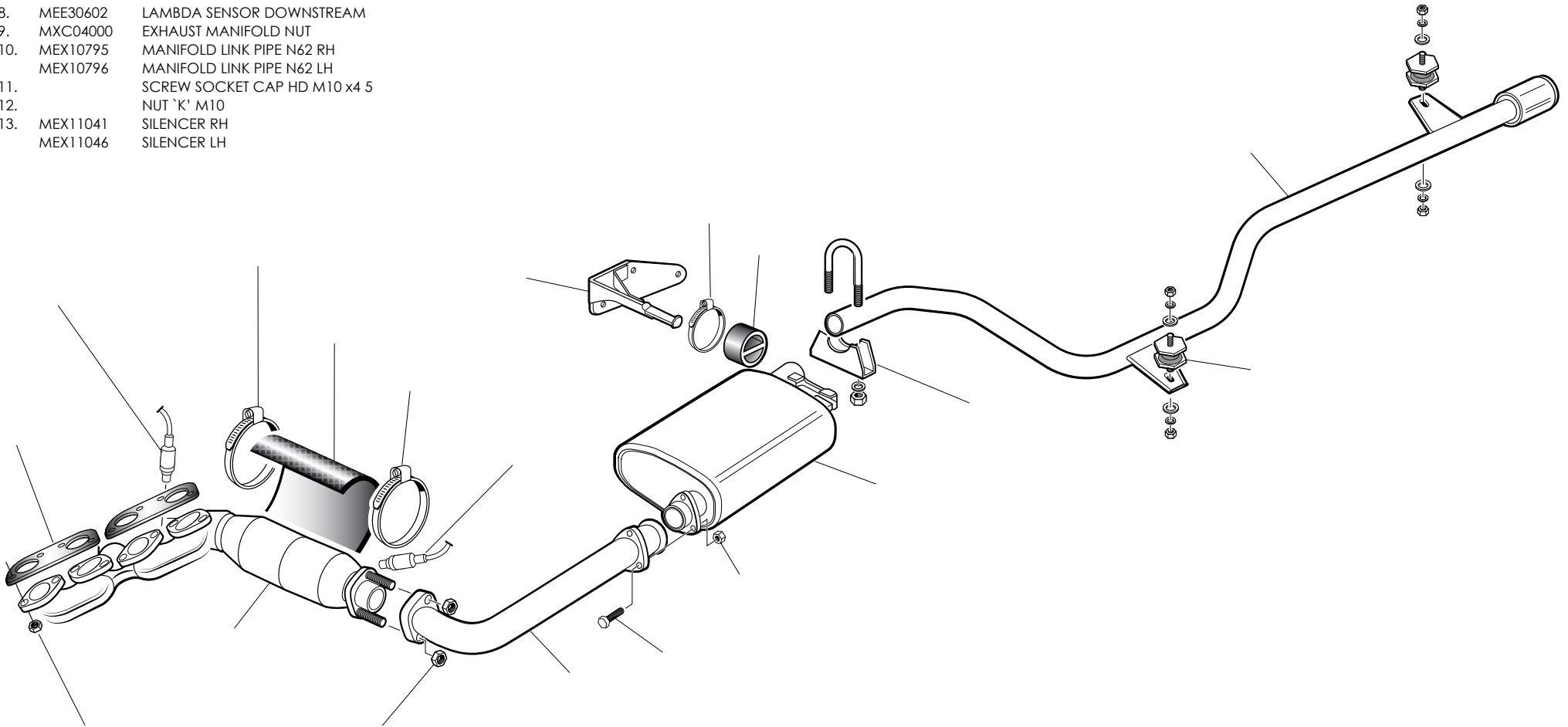
Exhaust (Rear exit, standard)

- | | | | | | |
|-----|----------|----------------------------------|-----|----------|-----------------------------|
| 1. | MEX00946 | EXHAUST MANIFOLD RH | 15. | MXC0062 | MOUNTING |
| | MEX00966 | EXHAUST MANIFOLD LH | 16. | MGC0070 | CLAMP |
| 2. | MEX10795 | MANIFOLD LINK PIPE N62 RH | 17. | MXC00951 | EXHAUST MOUNTING BRACKET RH |
| | MEX10796 | MANIFOLD LINK PIPE N62 LH3. | | MXC00961 | EXHAUST MOUNTING BRACKET LH |
| 3. | MEX11041 | SILENCER RH | 18. | MXC00942 | CLAMP |
| | MEX11046 | SILENCER LH | 19. | MXC00942 | CLAMP |
| 4. | A310053 | INTERMEDIATE PIPE RH | 20. | B310041 | SILENCER HANGER BRACKET |
| | A310052 | INTERMEDIATE PIPE LH | 21. | MGS06325 | SCREW SOCKET BUTTON M8 x 20 |
| 5. | A310055 | SILENCER RH | 22. | MGW0110 | WASHER PENNY 5/16 |
| | A310054 | SILENCER LH | | MGW0210 | SHAKEPROOF WASHER |
| 6. | MXC01011 | GASKET | 23. | MXC0070 | CLAMP |
| 7. | MXC04000 | MXC04000 EXHAUST
MANIFOLD NUT | 24. | MXC0062 | MOUNTING |
| 8. | MEE30600 | LAMBDA SENSOR RH UPSTREAM | 25. | MXC10002 | EXHAUST MYG HEX COTTON REEL |
| | MEE30601 | LAMBDA SENSOR LH UPSTREAM | | | |
| 9. | MEX12506 | CLAMP | | | |
| 10. | MEX12508 | HEAT SHIELD | | | |
| 11. | MEE30602 | LAMBDA SENSOR DOWNSTREAM | | | |
| 12. | MXC04000 | EXHAUST MANIFOLD NUT | | | |
| 13. | MGS06216 | SCREW SOCKET CAP HD M10x80 | | | |
| 14. | | NUT 'K' M10 | | | |



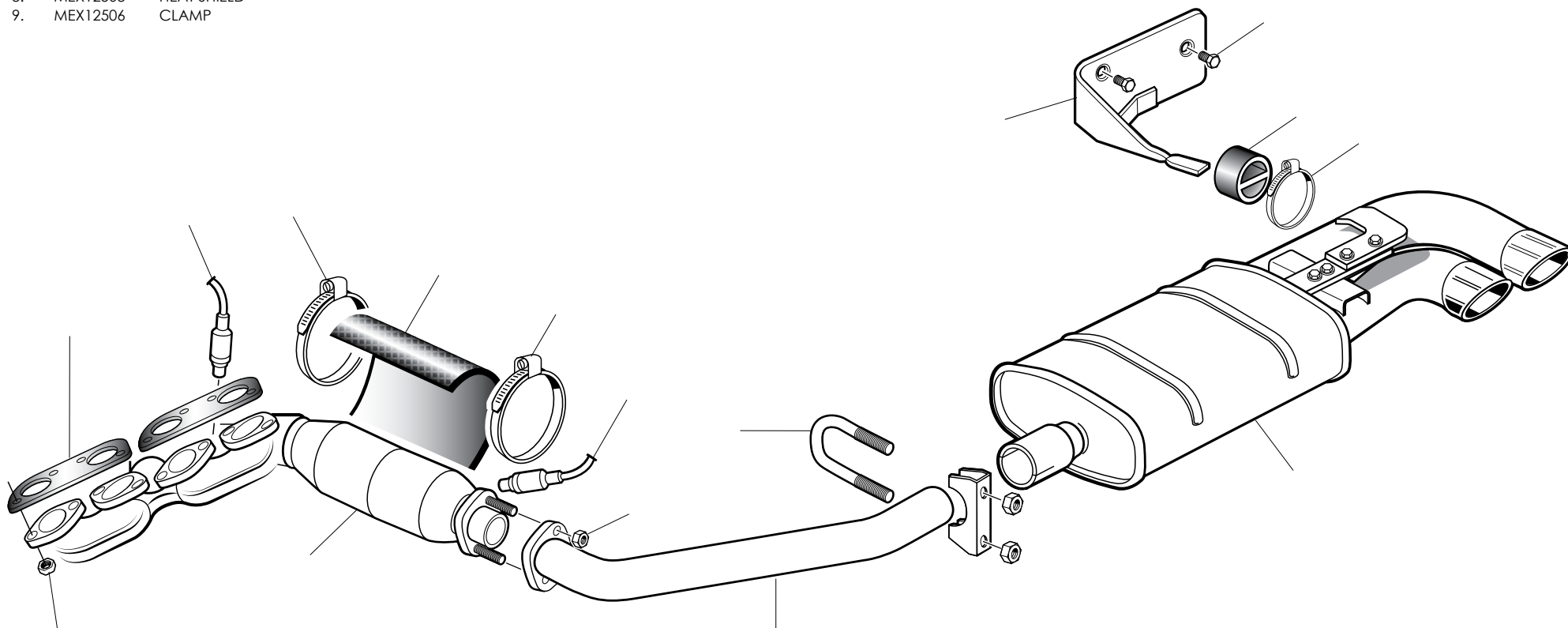
Exhaust (Rear exit, sports)

- | | | | | | |
|-----|----------|------------------------------|-----|----------|-------------------------------|
| 1. | MXC04000 | EXHAUST MANIFOLD NUT | 14. | MXC00951 | EXHAUST MOUNTING BRACKET RH |
| 2. | MXC01011 | GASKET | | MXC00961 | EXHAUST MOUNTING BRACKET LH |
| 3. | MEE30600 | LAMBDA SENSOR RH UPSTREAM | 15. | MGC0070 | CLAMP |
| | MEE30601 | LAMBDA SENSOR LH UPSTREAM | 16. | MXC0062 | MOUNTING |
| 4. | MEX12506 | CLAMP | 17. | MXC00942 | CLAMP |
| 5. | MEX12508 | HEAT SHIELD | 18. | MXC10002 | EXHAUST MYG HEX COTTON REEL |
| 6. | MEX00946 | EXHAUST MANIFOLD RH | 19. | A310046 | SPORTS REAR EXIT TAIL PIPE LH |
| | MEX00966 | EXHAUST MANIFOLD LH | | A310047 | SPORTS REAR EXIT TAIL PIPE RH |
| 7. | MEX12506 | CLAMP | | | |
| 8. | MEE30602 | LAMBDA SENSOR DOWNSTREAM | | | |
| 9. | MXC04000 | EXHAUST MANIFOLD NUT | | | |
| 10. | MEX10795 | MANIFOLD LINK PIPE N62 RH | | | |
| | MEX10796 | MANIFOLD LINK PIPE N62 LH | | | |
| 11. | | SCREW SOCKET CAP HD M10 x4 5 | | | |
| 12. | | NUT `K` M10 | | | |
| 13. | MEX11041 | SILENCER RH | | | |
| | MEX11046 | SILENCER LH | | | |



Exhaust (Side exit)

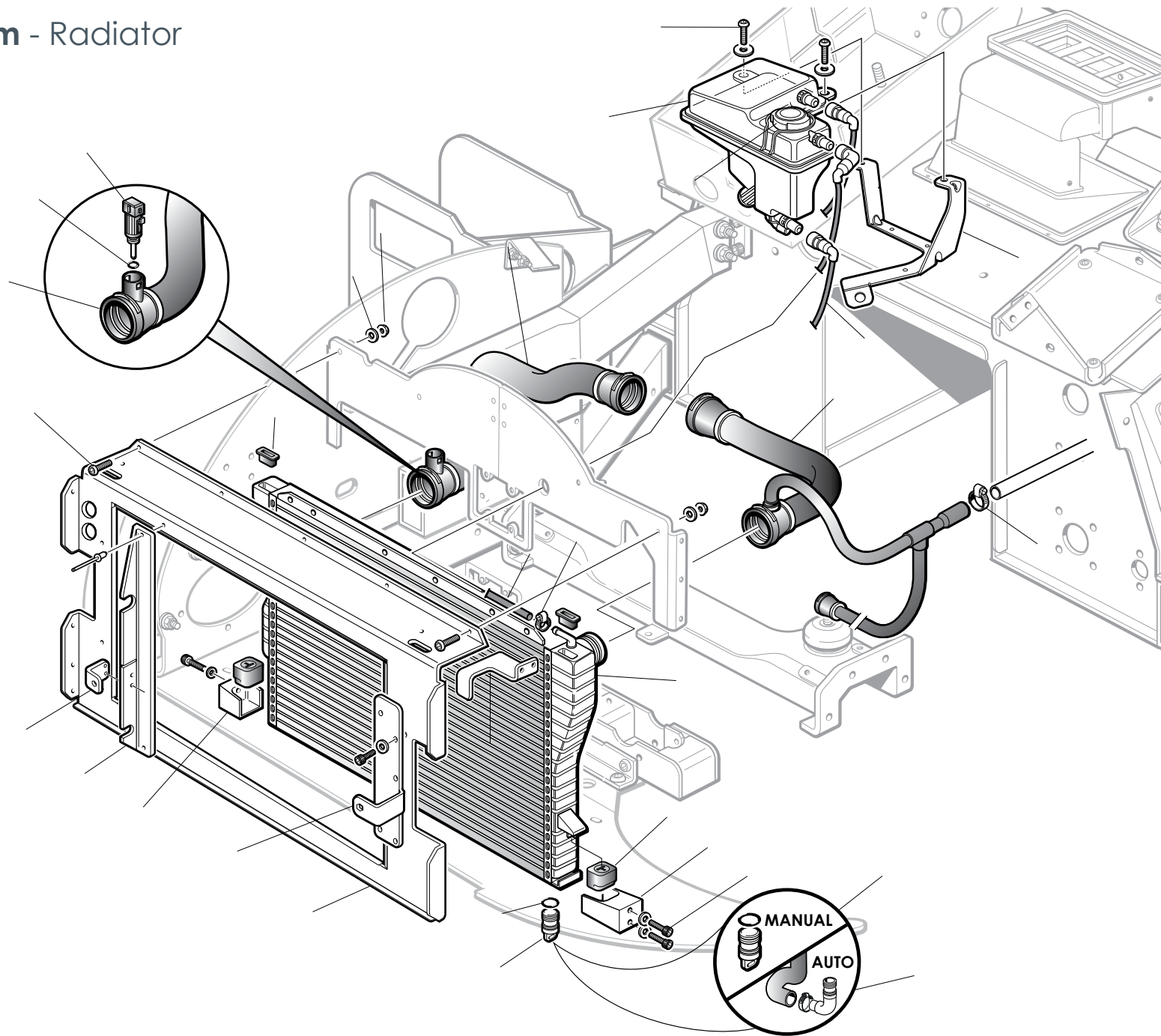
- | | | | | | |
|----|----------|---------------------------|-----|----------|----------------------------------|
| 1. | MEX00946 | EXHAUST MANIFOLD RH | 10. | MEE30559 | LAMBDA SENSOR RH DOWNSTREAM |
| | MEX00966 | EXHAUST MANIFOLD LH | | MEE30558 | LAMBDA SENSOR LH DOWNSTREAM |
| 2. | MEX10795 | MANIFOLD LINK PIPE N62 RH | 11. | MXC04000 | EXHAUST MANIFOLD NUT |
| | MEX10796 | MANIFOLD LINK PIPE N62 LH | 12. | MXC0013 | EXHAUST CLAMP |
| 3. | Y310001 | SILENCER LH | 13. | B310045 | EXHAUST MTG BRACKET SIDE EXIT LH |
| | Y310002 | SILENCER RH | | B310046 | EXHAUST MTG BRACKET SIDE EXIT RH |
| 4. | MXC01011 | GASKET | 14. | U500022 | SCREW SKT CSK M10 X 30 GEOMET |
| 5. | MXC04000 | EXHAUST MANIFOLD NUT | 15. | MXC0062 | MOUNTING |
| 6. | MEE30600 | LAMBDA SENSOR RH UPSTREAM | 16. | MGC0070 | CLIP 32-50 |
| | MEE30601 | LAMBDA SENSOR LH UPSTREAM | | | |
| 7. | MEX12506 | CLAMP | | | |
| 8. | MEX12508 | HEAT SHIELD | | | |
| 9. | MEX12506 | CLAMP | | | |





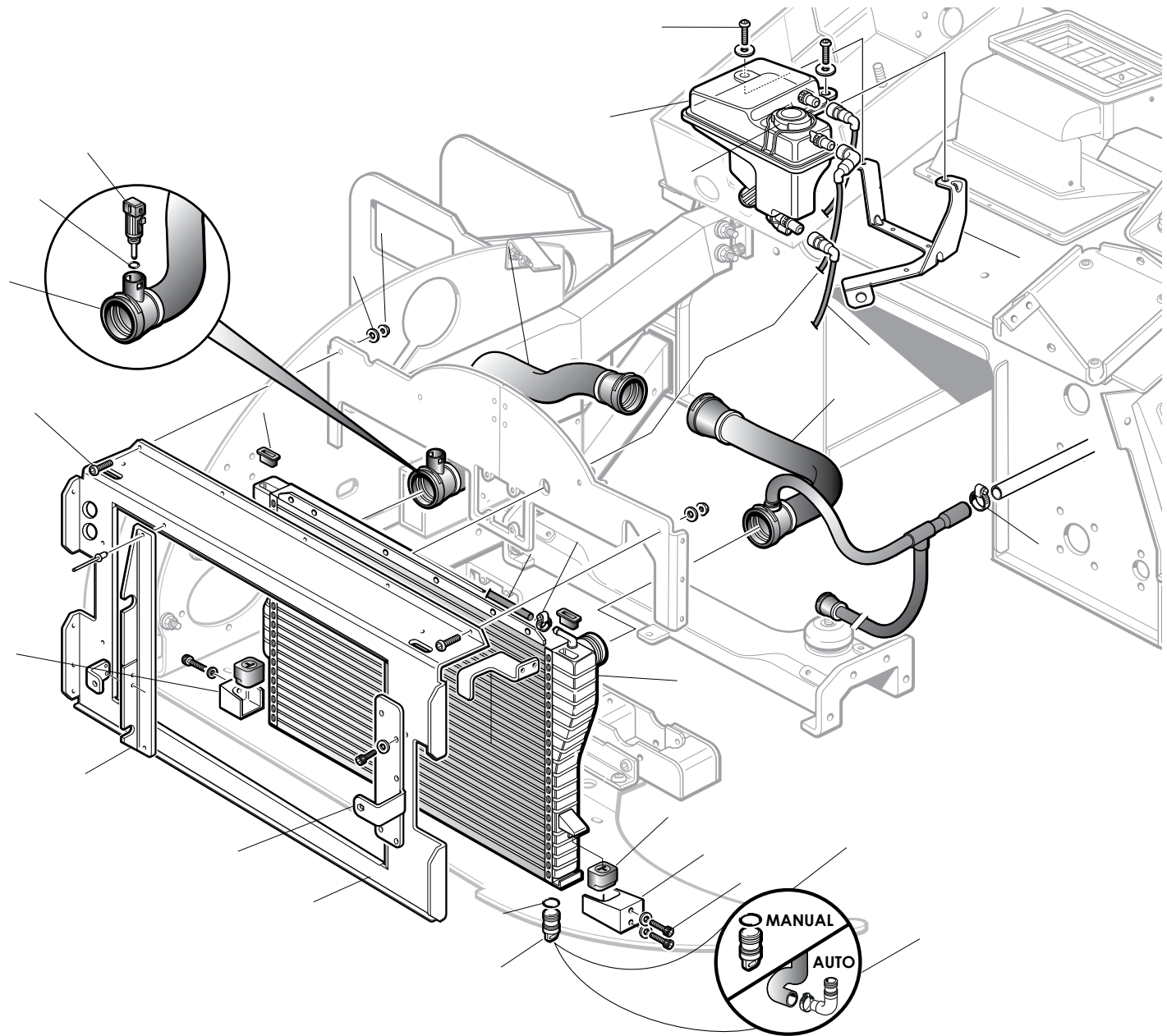
ENGINE BAY AND FUEL SYSTEM

Cooling System - Radiator



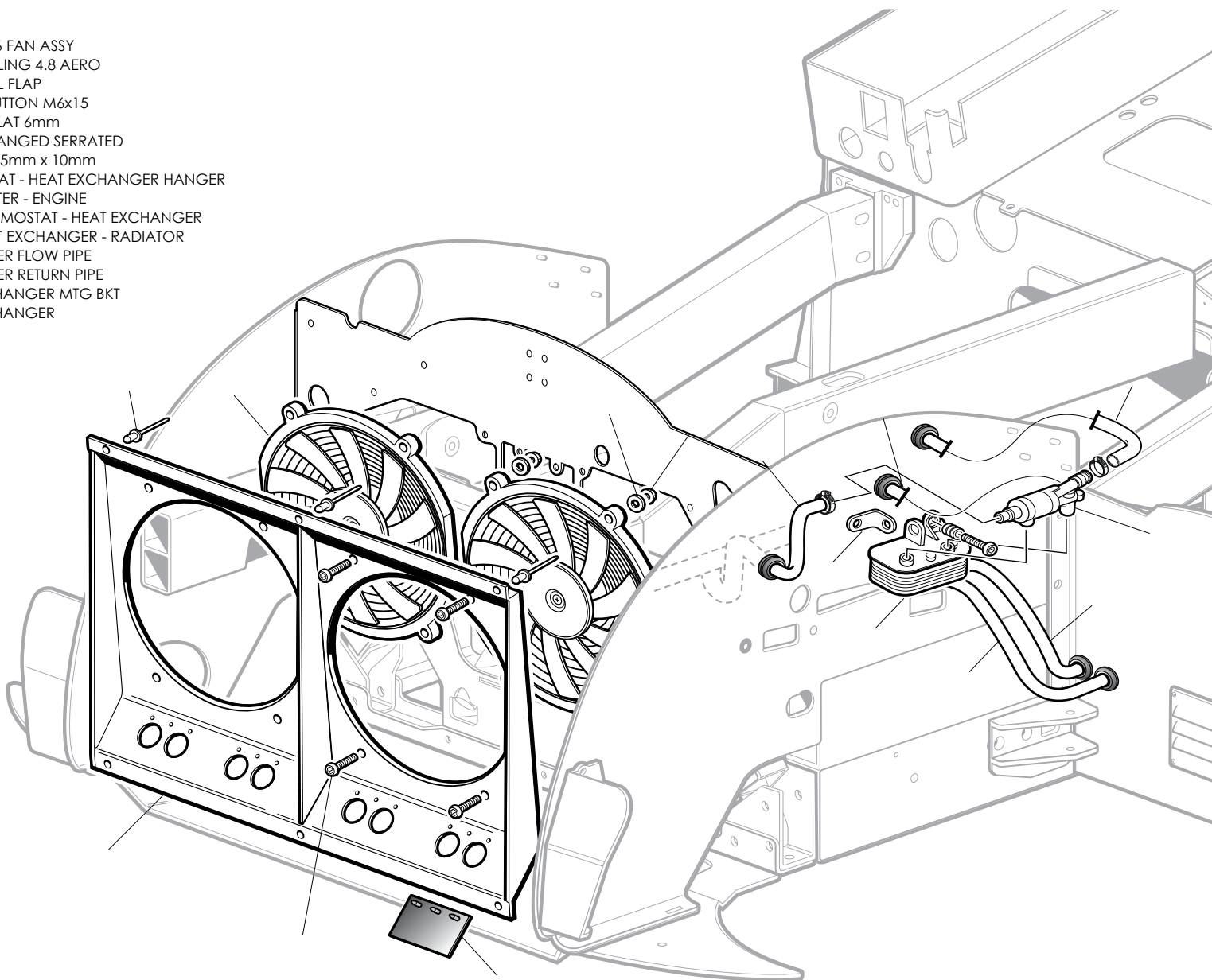
Cooling System - Radiator

- 1. MCA01966 RADIATOR BOTTOM MTG LH
- 2. MCA01970 TOP RADIATOR MTG
- 3. SOCKET BUTTON M6x20
- 4. Q250029 LOWER RADIATOR HOSE
- 5. NSS PART OF ITEM 18
- 6. MEP62915 SENSOR
- 7. MGW0018 WASHER FLAT 6mm
- 8. MGN0024 NUT M6 FLANGED
- 9. Q250029 LOWER RADIATOR HOSE
- 10. MCA09001 EXPANSION TANK
- 11. SOCKET BUTTON M6x20
- 12. WASHER FLAT 6mm
- 13. RESERVOIR BRACKET
- 14. Q250039 TOP HOSE (AUTO)
- 15. Q250040 TOP HOSE (MANUAL)
- 16. MGC0120 CLIP
- 17. MGC0022 CLIP
- 18. MCA09011 VENT HOSE RADIATOR TO EXPANSION TANK
- 19. MCA01441 RADIATOR 4.8 AERO 8
- 20. MCA01975 MOUNTING RUBBER
- 21. MCA01967 RADIATOR BOTTOM MTG RH
- 22. SOCKET CAP HD M6x20
- 23. WASHER FLAT 6mm
- 24. MCA01510 DRAIN PLUG
- 25. NSS PART OF ITEM 22
- 26. P060165 AERO 8 RADIATOR COWL
- 27. B250009 RADIATOR UPPER MTG BKT LH
- 28. B250010 RADIATOR UPPER MTG BKT RH
- 29. D250005 HVAC RAD PLT MTG LH
- 30. B250012 HVAC RAD MTG BKT RH
- 31. MCA09016 HOSE WATER PUMP TO EXPANSION TANK
- 32. MCA09015 EXPANSION TANK CAP
- 33. MCA07020 HOSE HEAT EXCHANGER - RADIATOR



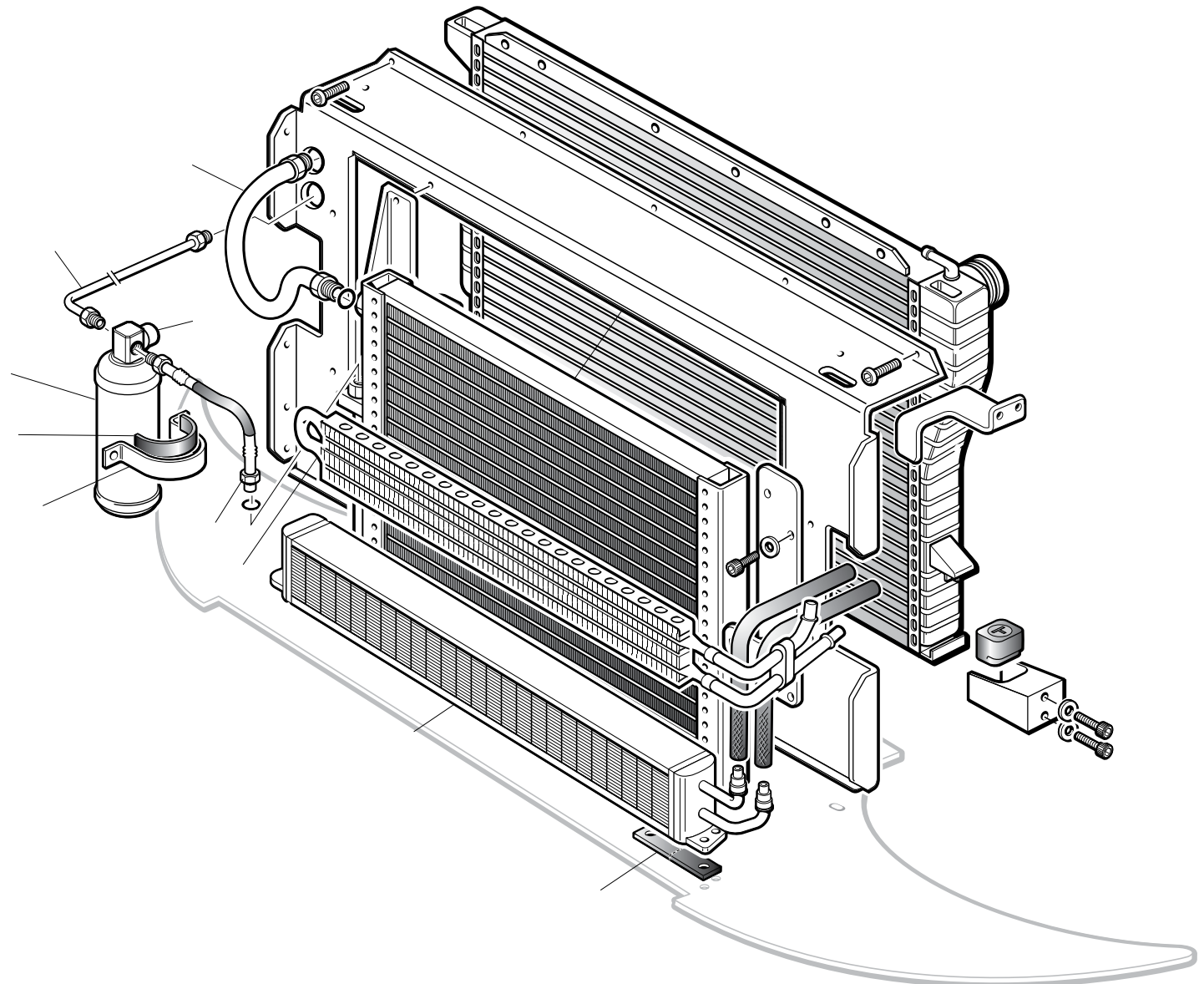
Cooling System - Fans

- | | | |
|-----|----------|------------------------------------|
| 1. | MCA0204 | ESCAPE V6 FAN ASSY |
| 2. | MCA01460 | FAN COWLING 4.8 AERO |
| 3. | MCA1312 | FAN COWL FLAP |
| 4. | | SOCKET BUTTON M6x15 |
| 5. | | WASHER FLAT 6mm |
| 6. | | NUT M6 FLANGED SERRATED |
| 7. | | RIVET POP 5mm x 10mm |
| 8. | MCA07025 | THERMOSTAT - HEAT EXCHANGER HANGER |
| 9. | MCA12245 | HOSE HEATER - ENGINE |
| 10. | MCA0730 | HOSE THERMOSTAT - HEAT EXCHANGER |
| 11. | MCA07020 | HOSE HEAT EXCHANGER - RADIATOR |
| 12. | MEP64508 | OIL COOLER FLOW PIPE |
| 13. | MEP64510 | OIL COOLER RETURN PIPE |
| 14. | MCA07015 | HEAT EXCHANGER MTG BKT |
| 15. | MCA07025 | HEAT EXCHANGER |



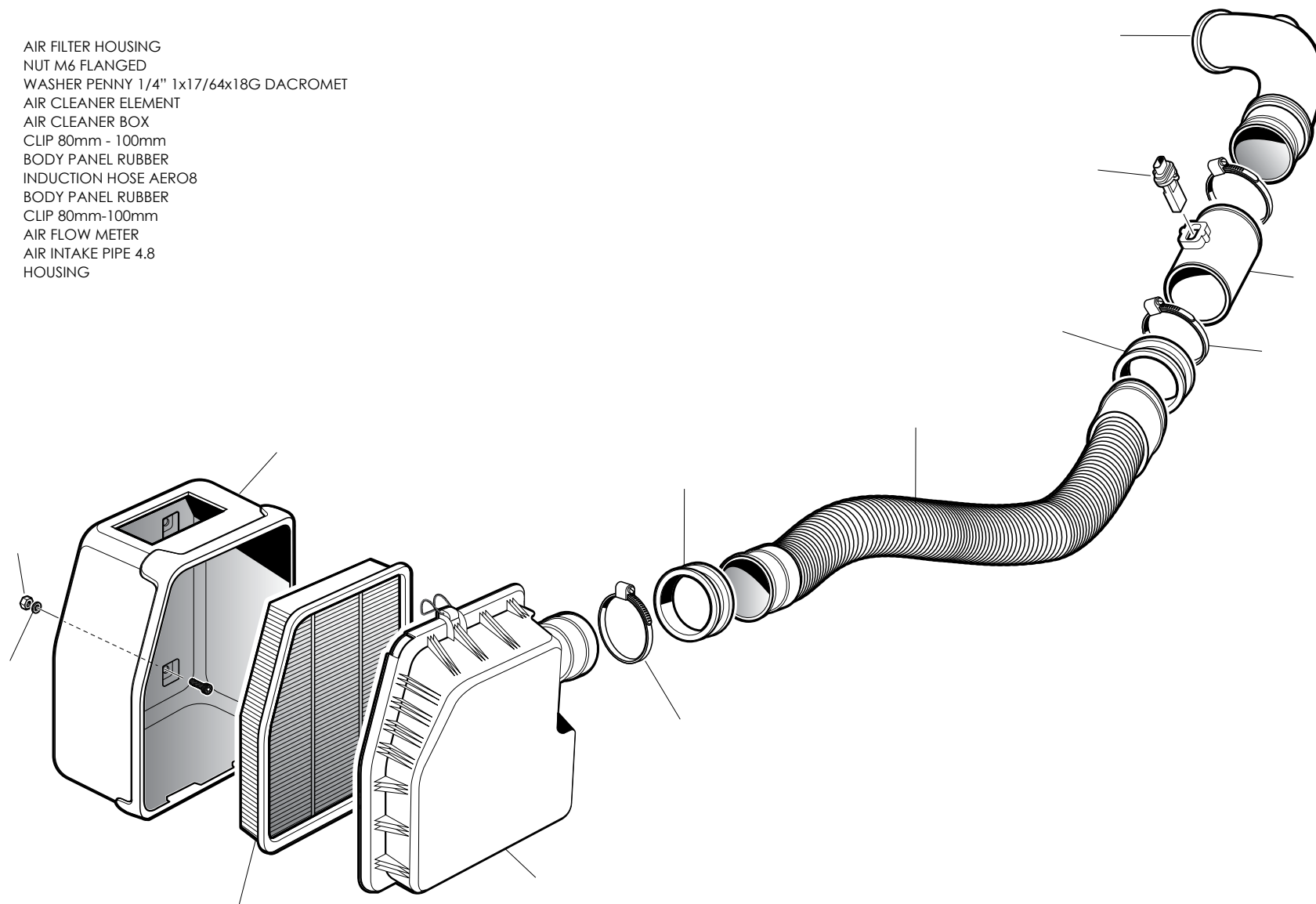
Air Conditioning and Cooling Radiators

1. MCA1380 AIR CON RADIATOR/CONDENSOR
2. MRS0855 BUMP RUBBER REAR
3. MEP64505 OIL COOLER
4. U190035 OIL COOLER POWER STEERING
5. MCA14066 A/C PIPE R/DRYER
6. MCA14081 AIR CON RECEIVER BRACKET
7. MCA0960 RUBBER
8. MCA14070 AIR CON RECEIVER DRYER
9. MCA14064 AIR CON PIPE
10. MCA14035 AIR CON PIPE CONDENSOR AERO



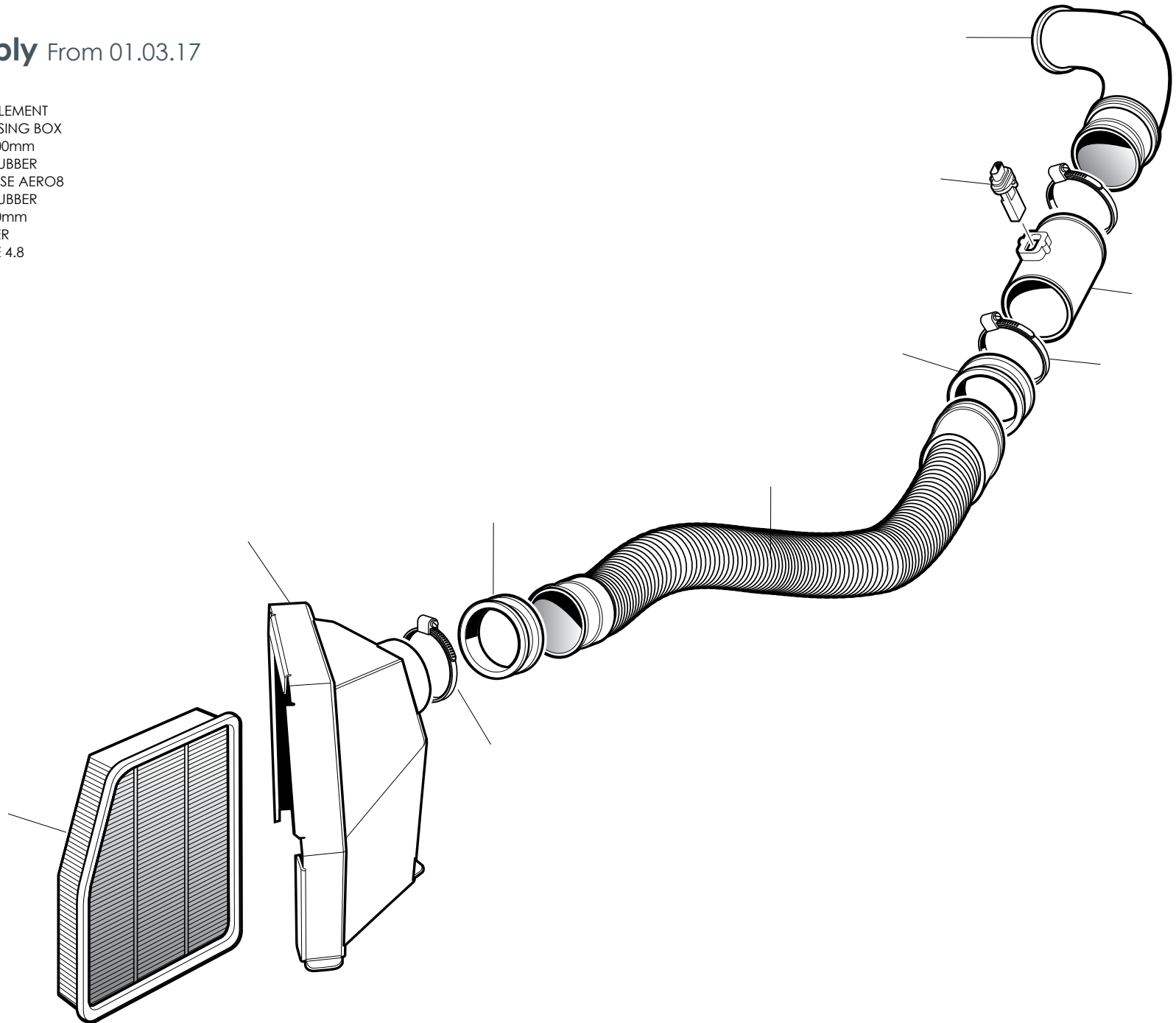
Air Filter Assembly Up to 01.03.17

- | | | |
|-----|----------|--|
| 1. | MEP55752 | AIR FILTER HOUSING |
| 2. | | NUT M6 FLANGED |
| 3. | | WASHER PENNY 1/4" 1x17/64x18G DACROMET |
| 4. | MEP55754 | AIR CLEANER ELEMENT |
| 5. | MEP55753 | AIR CLEANER BOX |
| 6. | MGC0120 | CLIP 80mm - 100mm |
| 7. | MCM43510 | BODY PANEL RUBBER |
| 8. | MEP55770 | INDUCTION HOSE AERO8 |
| 9. | MCM43510 | BODY PANEL RUBBER |
| 10. | MGC0120 | CLIP 80mm-100mm |
| 11. | MEE15765 | AIR FLOW METER |
| 12. | MEP55793 | AIR INTAKE PIPE 4.8 |
| 13. | MEP55759 | HOUSING |



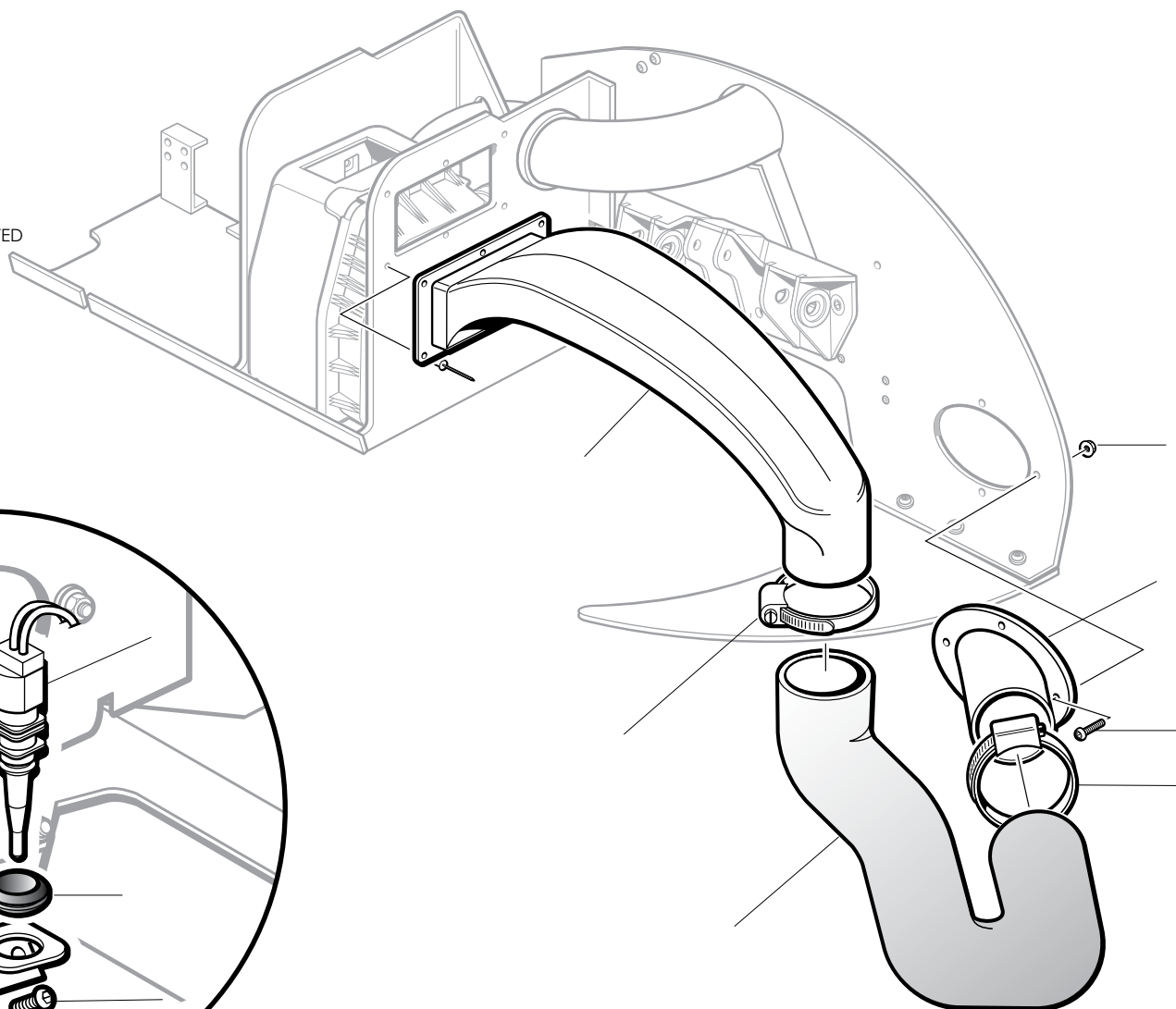
Air Filter Assembly From 01.03.17

- | | | |
|-----|----------|------------------------|
| 1. | MEP55754 | AIR CLEANER ELEMENT |
| 2. | A250004 | AIR FILTER HOUSING BOX |
| 3. | MGC0120 | CLIP 80mm - 100mm |
| 4. | MCM43510 | BODY PANEL RUBBER |
| 5. | MEP55770 | INDUCTION HOSE AERO8 |
| 6. | MCM43510 | BODY PANEL RUBBER |
| 7. | MGC0120 | CLIP 80mm-100mm |
| 8. | MEE15765 | AIR FLOW METER |
| 9. | MEP55793 | AIR INTAKE PIPE 4.8 |
| 10. | MEP55759 | HOUSING |

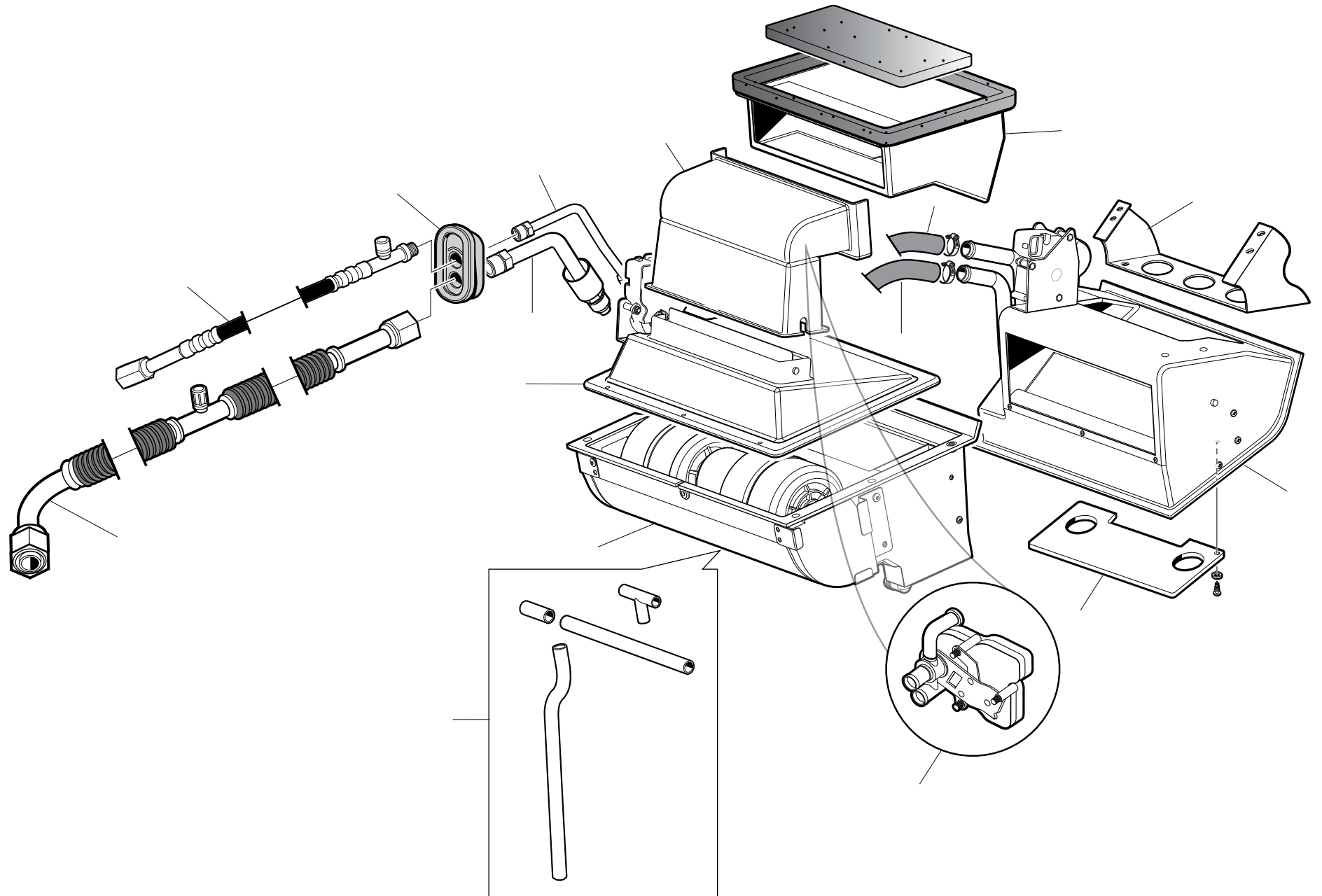


Air Intake Assembly

- | | | |
|-----|----------|---|
| 1. | MEP55791 | AIR DUCT |
| 2. | MGC0130 | CLIP 95MM-120MM |
| 3. | MEP55768 | AIR DUCT HOSE |
| 4. | MGC0130 | CLIP 95MM-120MM |
| 5. | MEP55765 | ADAPTOR AIR INTAKE |
| 6. | | SCREW M6 X 25 |
| 7. | | NUT 'K' M6 |
| 8. | MGE0020 | GROMMET |
| 9. | MEE15754 | BRACKET |
| 10. | | SOCKET BUTTON M6x15 |
| 11. | MEE15753 | NUT M6 FLANGED SERRATED
TEMPERATURE SENSOR |

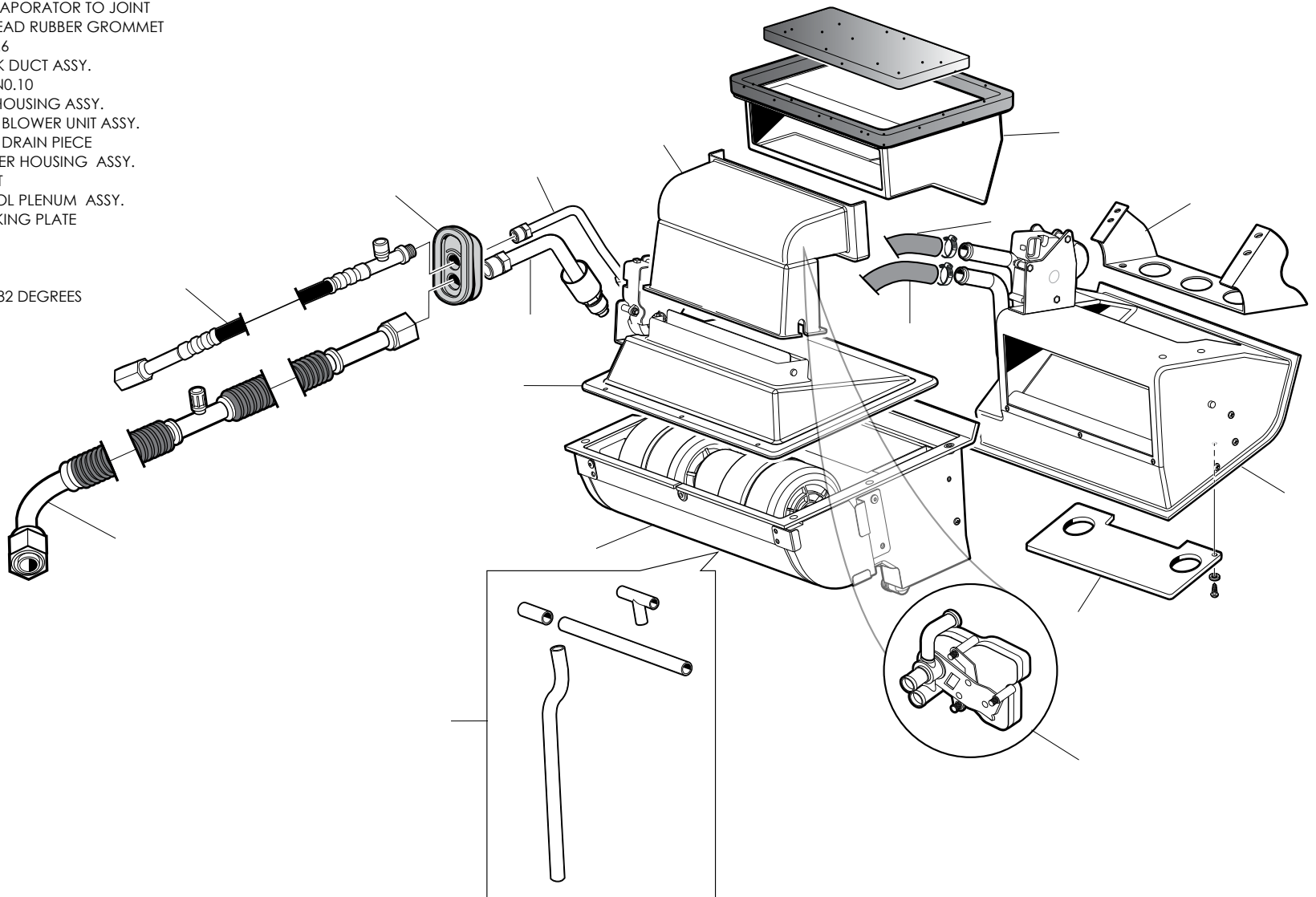


Heater System

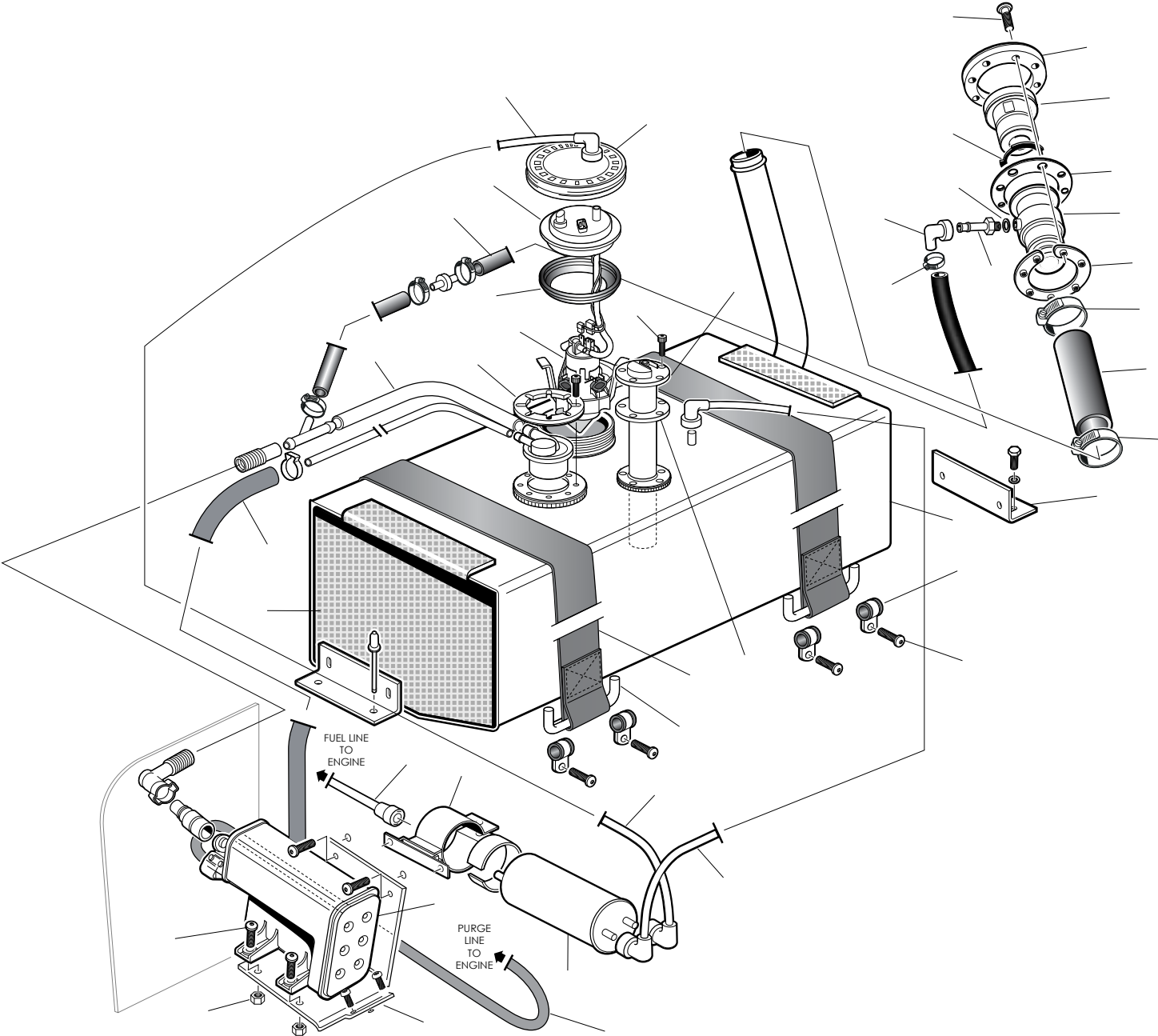


Heater System

- 1. Q460005 COMPRESSOR TO EVAPORATOR NO.10.
- 2. Q460006 HOSE ASSY. No. 6 EVAPORATOR TO JOINT
- 3. K250003 AIRCON PIPE BULKHEAD RUBBER GROMMET
- 4. U460011 PIPE ASSY LIQUID NO.6
- 5. A460002 HVAC AIR FILTER LINK DUCT ASSY.
- 6. U460010 PIPE ASSY SUCTION NO.10
- 7. A460003 HVAC INTAKE FLAP HOUSING ASSY.
- 8. A460005 HVAC CONDENSOR BLOWER UNIT ASSY.
- 9. U460007 HVAC CONDENSOR DRAIN PIECE
- 10. A460001 HVAC AIR FILTER FILTER HOUSING ASSY.
- 11. B460003 HVAC MTG BRACKET
- 12. A460004 HVAC TEMP CONTROL PLENUM ASSY.
- 13. P430199 KNEE BOLSTER BLANKING PLATE
- 14. Q250039 TOP HOSE MANUAL
- 14. Q250040 TOP HOSE AUTO
- 15. Q250035 WATER PIPE
- 16. U460014 WATER VALVE ASSY 82 DEGREES

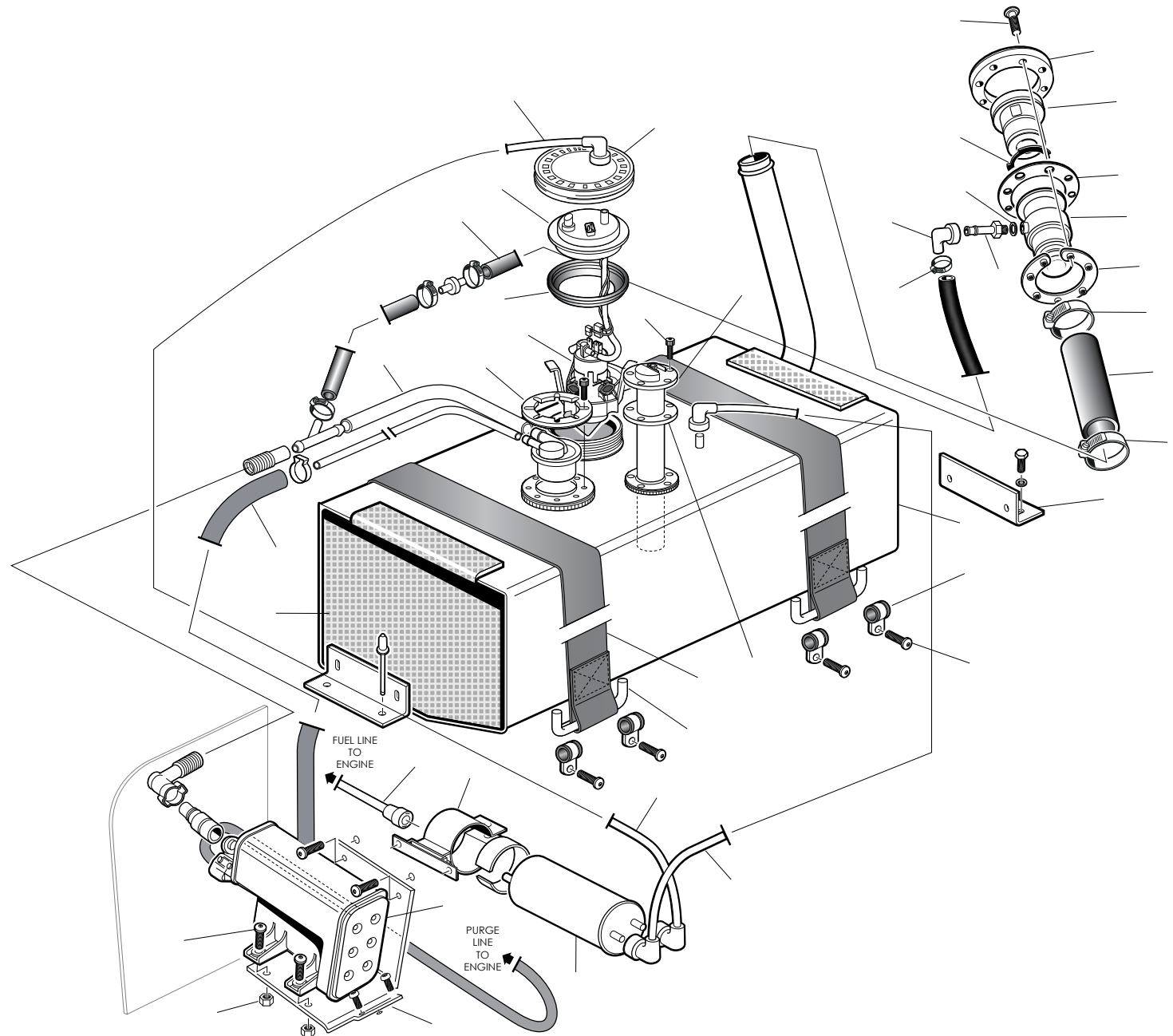


Fuel System

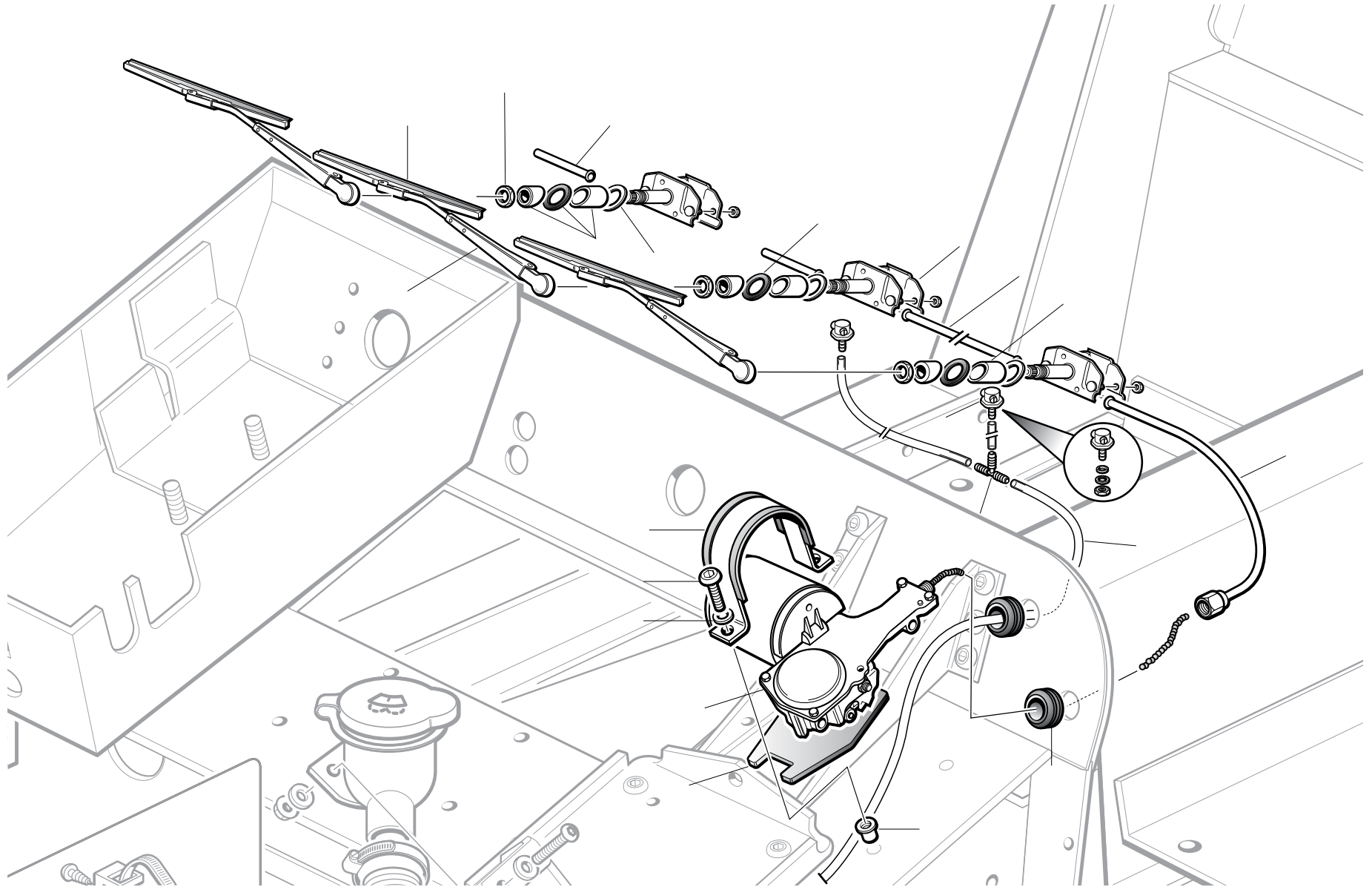


Fuel System

- | | | |
|-----|----------|--|
| 1. | MPS20352 | BRACKET CHARCOAL CANNISTER |
| 2. | | NUT M6 FLANGED SERRATED |
| 3. | | SELF TAPPING TORX SCREW |
| 4. | MPS20351 | CHARCOAL CANNISTER |
| 5. | MPS09401 | FILTER |
| 6. | U250016 | CLAMP |
| 7. | Q280041 | SUPPLY PIPE |
| 8. | MPS07244 | PIPE |
| 9. | MCF60504 | PETROL TANK MOUNTING BAR |
| 10. | J280001 | FUEL TANK STRAP |
| 11. | MPS1115 | SEAL |
| 12. | MGE01400 | CLIP |
| 13. | MGS06304 | SCREW |
| 14. | A280024 | PETROL TANK |
| 15. | B060118 | FUEL TANK ANGLE SUPPORT |
| 16. | MGC0090 | CLIP |
| 17. | Q280042 | FUEL FILLER HOSE |
| 18. | MGC0090 | CLIP |
| 19. | A280022 | FIXING RING |
| 20. | NSS | PART OF ITEM 22 |
| 21. | K280005 | GASKET |
| 22. | MBC27401 | PETROL CAP |
| 23. | T280018 | BEZEL FILLER CAP |
| 24. | | SOCKET CSK M6x25 S/STEEL
POLISHED HEAD |
| 25. | MBC2858 | PETROL CAP WASHER |
| 26. | NSS | PART OF ITEM 27 |
| 27. | MBC2736 | SIDE VENT |
| 28. | MPS20361 | PIPE |
| 29. | NSS | PART OF ITEM 35 |
| 30. | MPS1100 | PETROL TANK UNIT |
| 31. | | SOCKET CAP HD M5x15
FIBRE WASHER |
| 32. | MPS11120 | RING |
| 33. | MPS07248 | FILTER - PUMP PIPE |
| 34. | MPS11121 | SENDER UNIT |
| 35. | MPS20361 | PIPE |
| 36. | MPS08753 | SEAL |
| 37. | MPS08751 | PUMP |
| 38. | MPS17806 | LOCKING RING |
| 39. | MPS1785 | ROLL OVER VALVE |
| 40. | RHW0005 | HOSE |
| 41. | R280026 | INSULATION |
| 42. | MPS07005 | PURGE PIPE FRONT-REAR |
| | MPS07002 | PURGE PIPE CHASSIS - TOP LEG |
| | Q130012 | PURGE PIPE TOP LEG - ENGINE |
| | MPS07004 | PURGE PIPE CHASSIS - CHARCOAL
1300MM LONG |

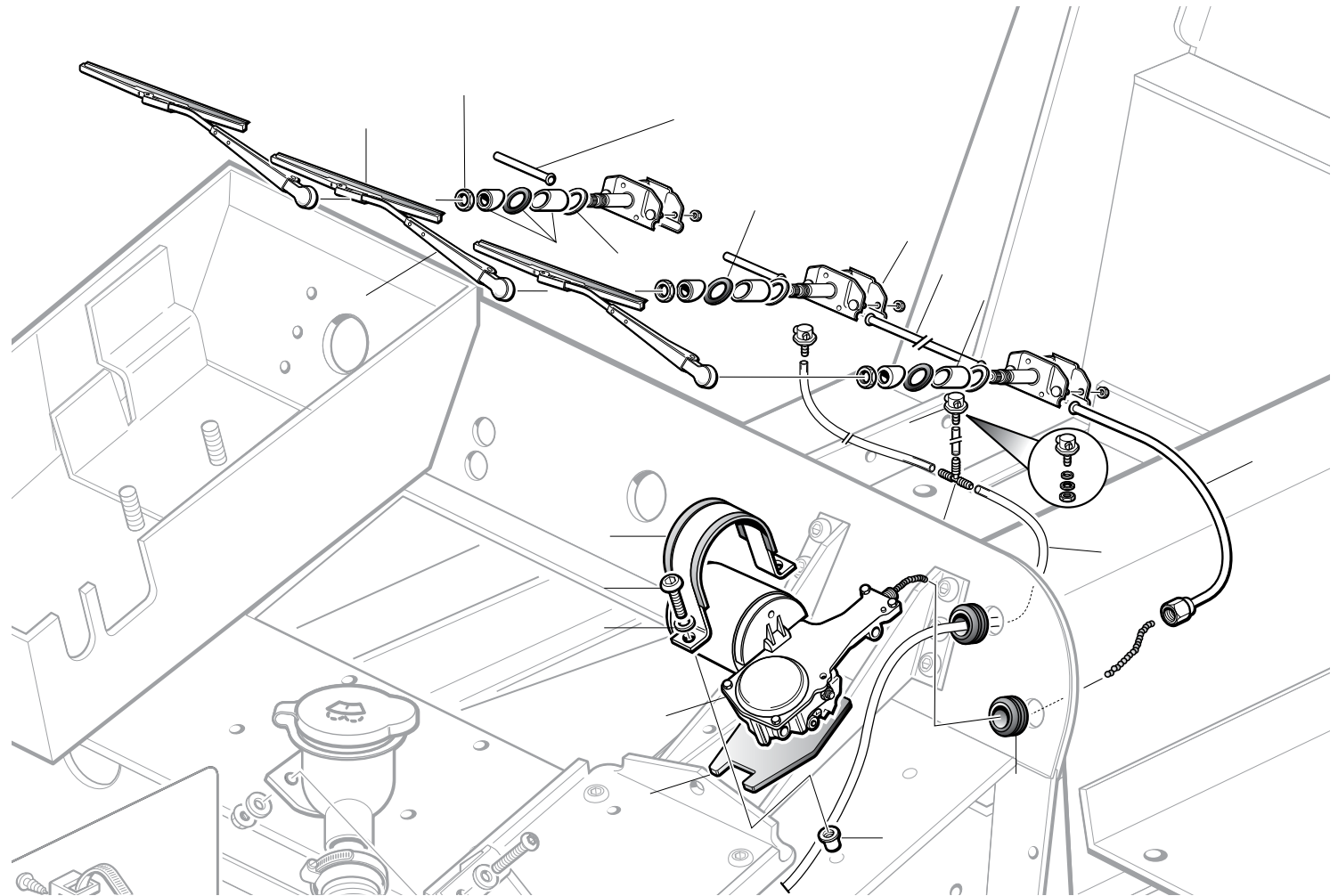


Wiper Assembly



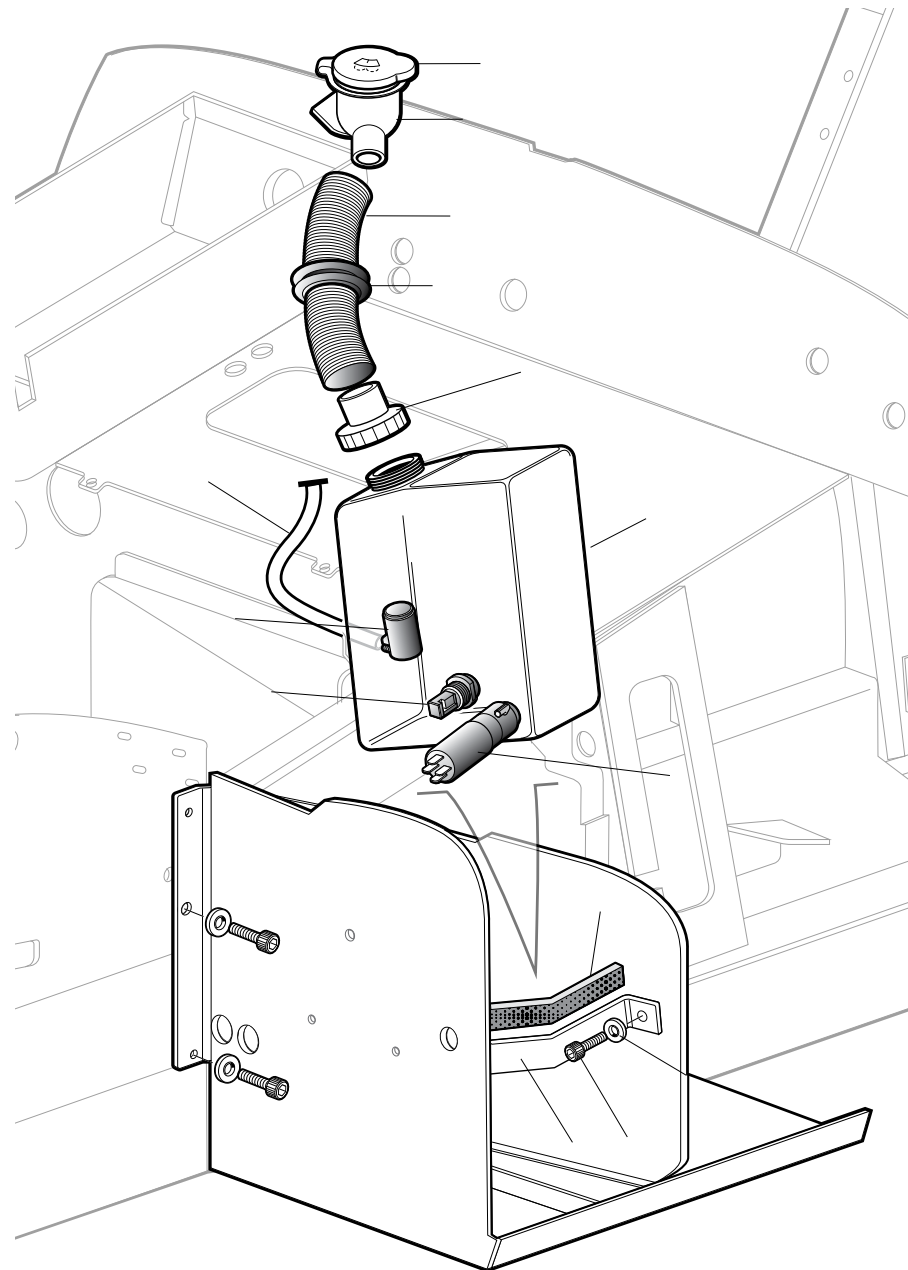
Wiper Assembly

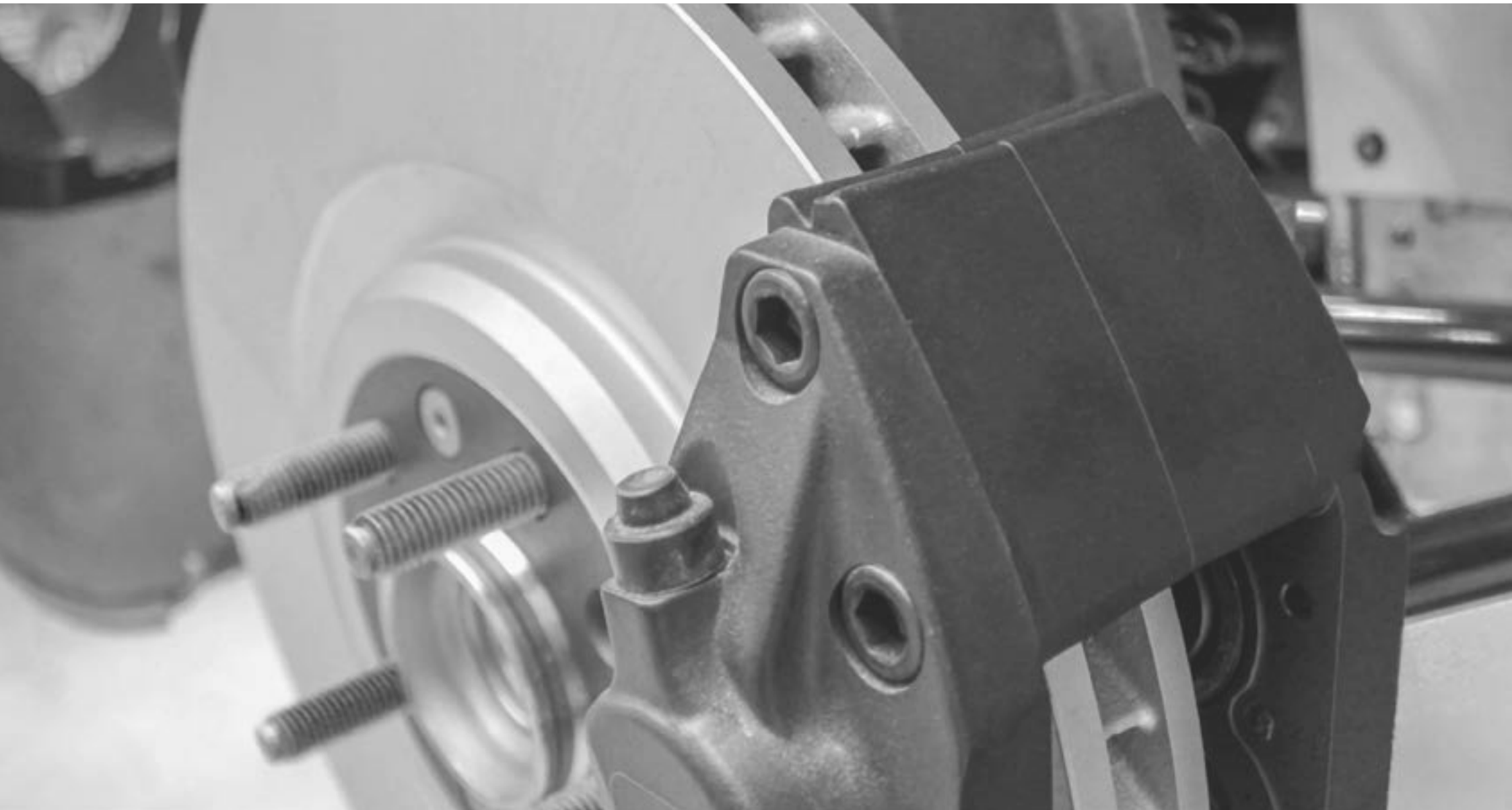
- 1. MWA00051 WIPER MOTOR LH PARK
- MWA00011 WIPER MOTOR RH PARK
- 2. MWA0010 MOUNTING RUBBER
- 3. MWA0025 MOUNTING BRACKET
- 4. SOCKET BUTTON M6x15
- 5. WASHER FLAT 6mm
- 6. NUT `K' M6
- 7. MGE00310 GROMMET
- 8. MWA00750 WIPER RACK TUBE RHD
- MWA00760 WIPER RACK TUBE LHD
- 9. MWA01211 WHEEL BOX
- 10. MWA00773 WIPER RACK TUBE
- 11. MWA0070 WIPER RACK TUBE
- 12. MWA0140 WIPER BEZEL KIT
- 13. MWA0145 WIPER BEZEL NUT
- 14. MWA01756 WIPER ARM BLACK RH
- MWA01757 WIPER ARM BLACK LH
- 15. MWA02305 WIPER BLADE
- 16. MWA0451 WASHER TUBE
- 17. MWA0351 T PIECE
- 18. MWA0346 WINDSCREEN WASHER JET
- 19. T340008 SPACER
- 20. MWA0146 WASHER
- 21. MWA01213 WHEEL BOX WASHER



Washer Assembly

1. MWA02807 FILLER LID
2. MWA02802 WASHER BOTTLE FILLER NECK
3. MWA02801 HOSE
4. MWA02806 GROMMET
5. MWA02803 LID
6. MWA02800 WASHER BOTTLE
7. MWA02895 WASHER BOTTLE PUMP
MWA02894 SEAL (FITTED BETWEEN MOTOR
AND WASHER BOTTLE)
8. FOAM
9. WASHER FLAT M10
10. SOCKET BUTTON M6x15
11. MWA02805 BRACKET
12. MWA02921 LOW LEVEL FLOAT SWITCH
13. MWA02804 PUMP
14. MWA0450 TUBE



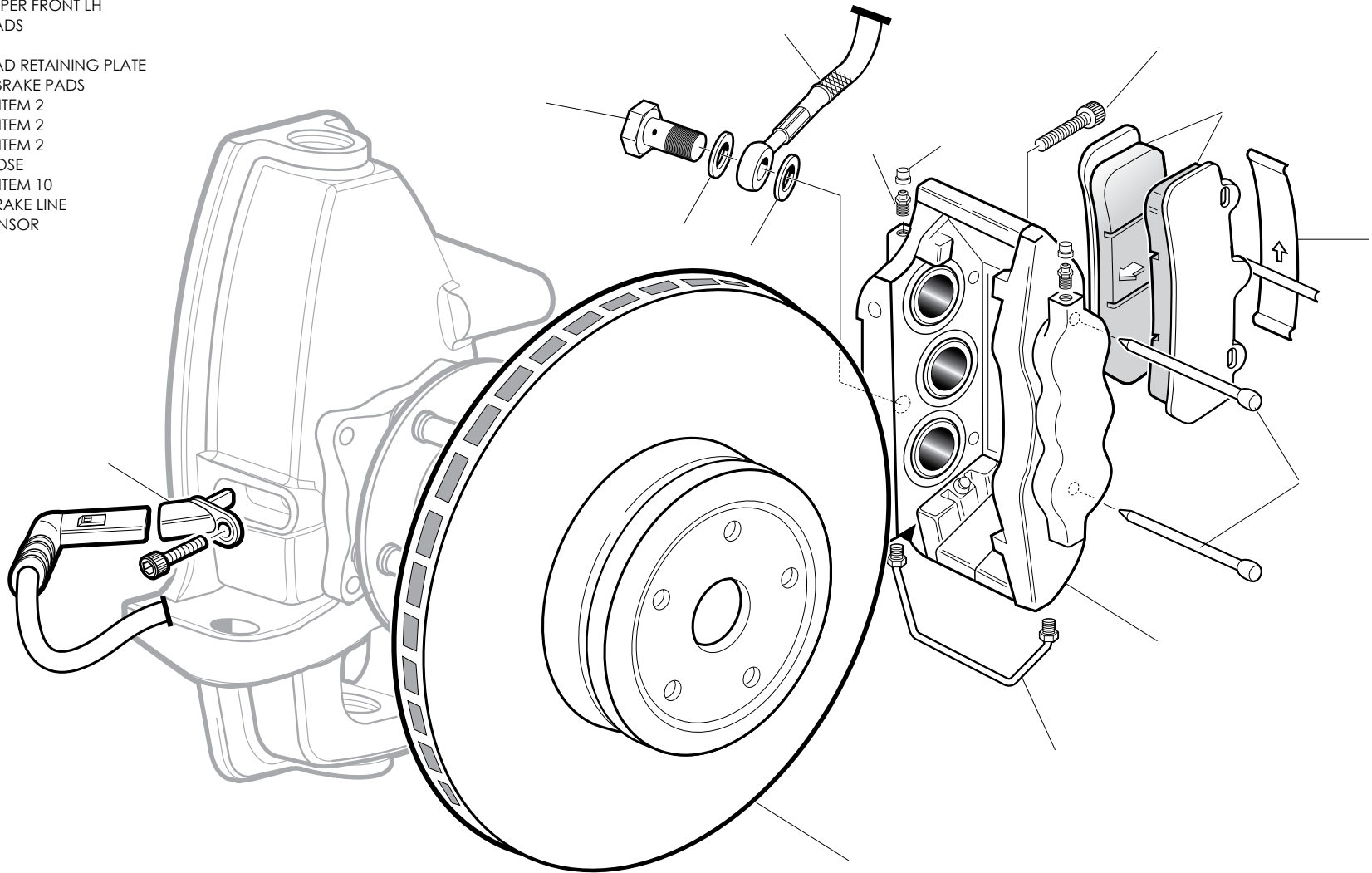


BRAKING SYSTEM

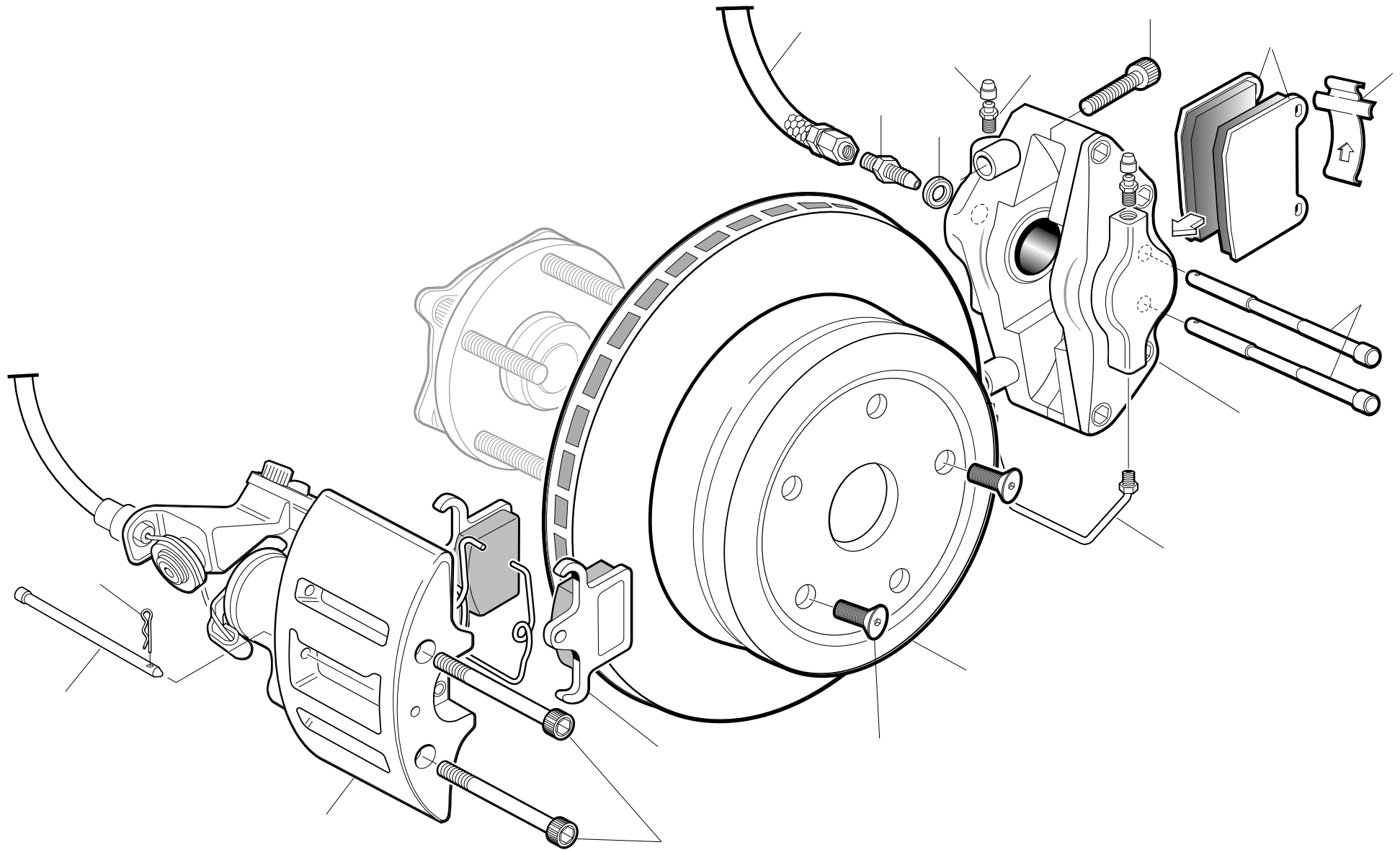
AERO 8 PARTS BOOK Version 2.1

Front Brake

- | | | |
|-----|----------|---------------------------|
| 1. | MBS00156 | BRAKE DISC FRONT RH |
| | MBS00157 | BRAKE DISC FRONT LH |
| 2. | MBS02904 | BRAKE CALIPER RH |
| | MBS02903 | BRAKE CALIPER LH |
| | MBS02906 | RED CALIPER FRONT RH |
| | MBS02905 | RED CALIPER FRONT LH |
| 3. | MBS06604 | BRAKE PADS |
| 4. | MBS04010 | BOLT |
| 5. | SP220003 | BRAKE PAD RETAINING PLATE |
| 6. | MBS02925 | PIN KIT - BRAKE PADS |
| 7. | NSS | PART OF ITEM 2 |
| 8. | NSS | PART OF ITEM 2 |
| 9. | NSS | PART OF ITEM 2 |
| 10. | Q060012 | BRAKE HOSE |
| 11. | NSS | PART OF ITEM 10 |
| 12. | Q060012 | FRONT BRAKE LINE |
| 13. | MEH10150 | SPEED SENSOR |

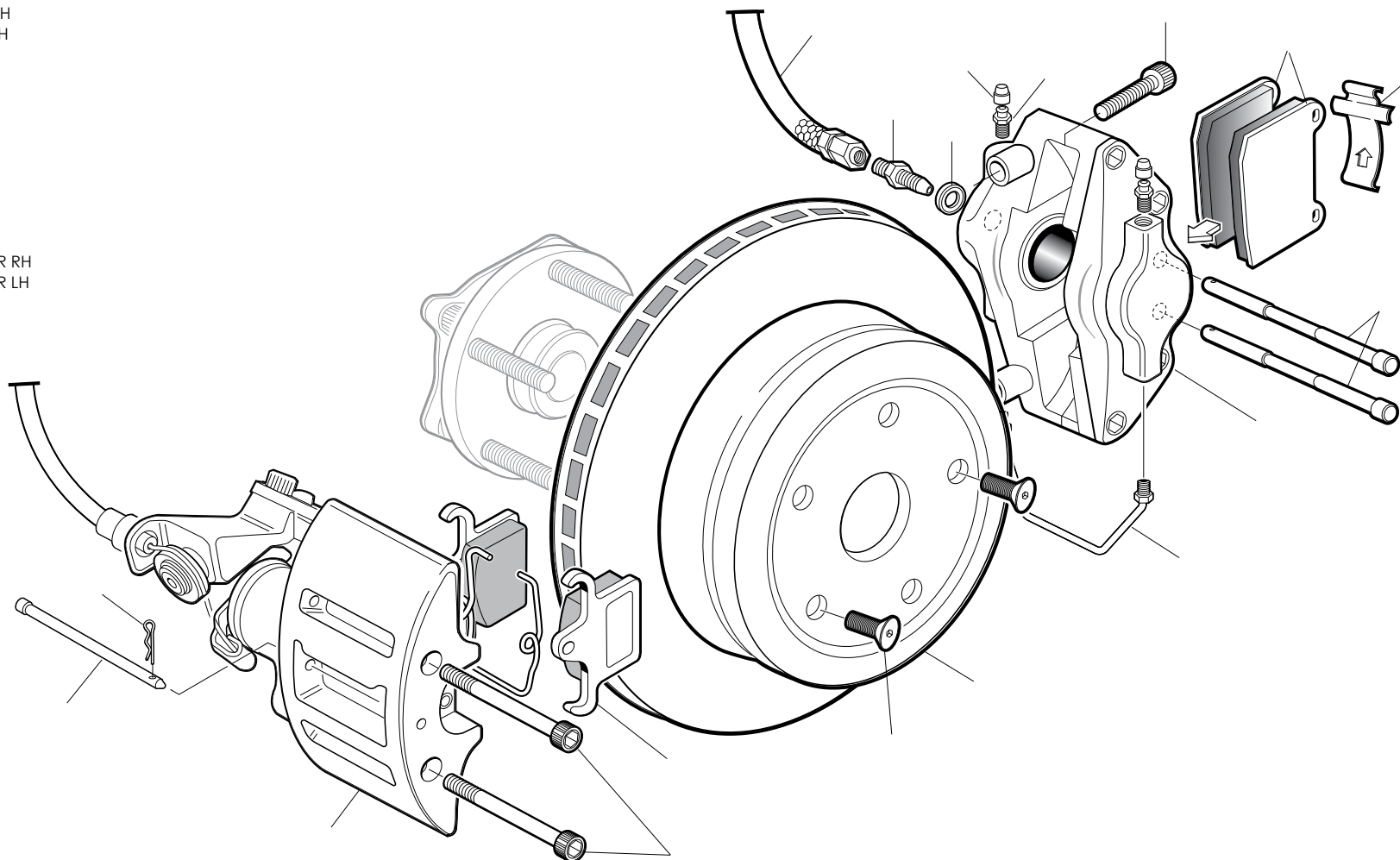


Rear Brake

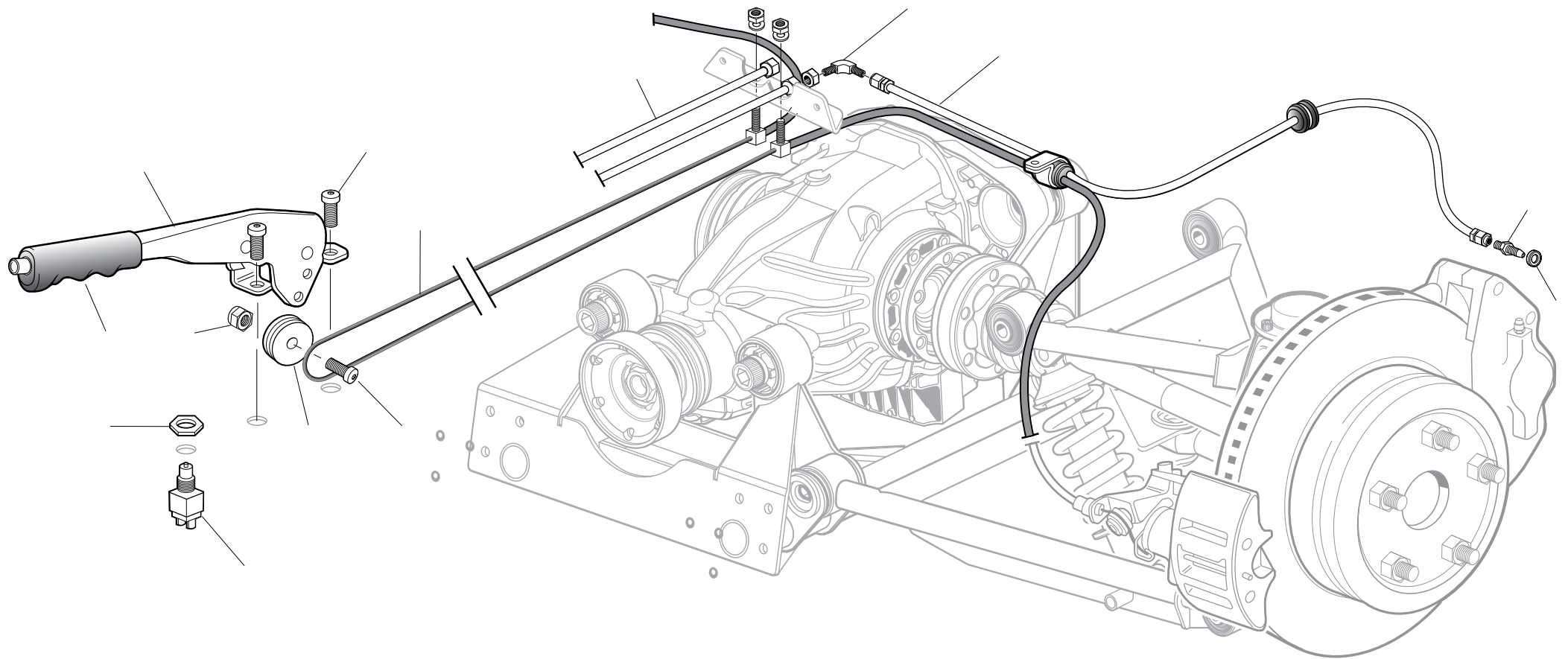


Rear Brake

- 1. MBS00167 REAR BRAKE DISC
- 2. MBS02915 BRAKE CALIPER REAR RH
MBS02914 BRAKE CALIPER REAR LH
MBS02921 RED CALIPER REAR RH
MBS02920 RED CALIPER REAR LH
- 3. NSS PART OF ITEM 2
- 4. NSS PART OF ITEM 2
- 5. MBS06614 PADS REAR
- 6. MBS06621 BRAKE PAD PIN KIT
- 7. MBS006621 BRAKE PAD PIN KIT
- 8. NSS PART OF ITEM 2
- 9. MGS06216 SCREW
- 10. MBH05040 WASHER
- 11. MBH02008 BRAKE CONNECTOR
- 12. Q220014 BRAKE HOSE
- 13. MBS02918 HANDBRAKE CALIPER RH
MBS02917 HANDBRAKE CALIPER LH
- 14. MBS06670 HANDBRAKE PADS
- 15. MBH06672 RETAINING PIN
- 16. MBH06673 RETAINING PIN
- 17. MBH06674 CLIP
- 18. MGS11250 M8 X 20 SKT CSK

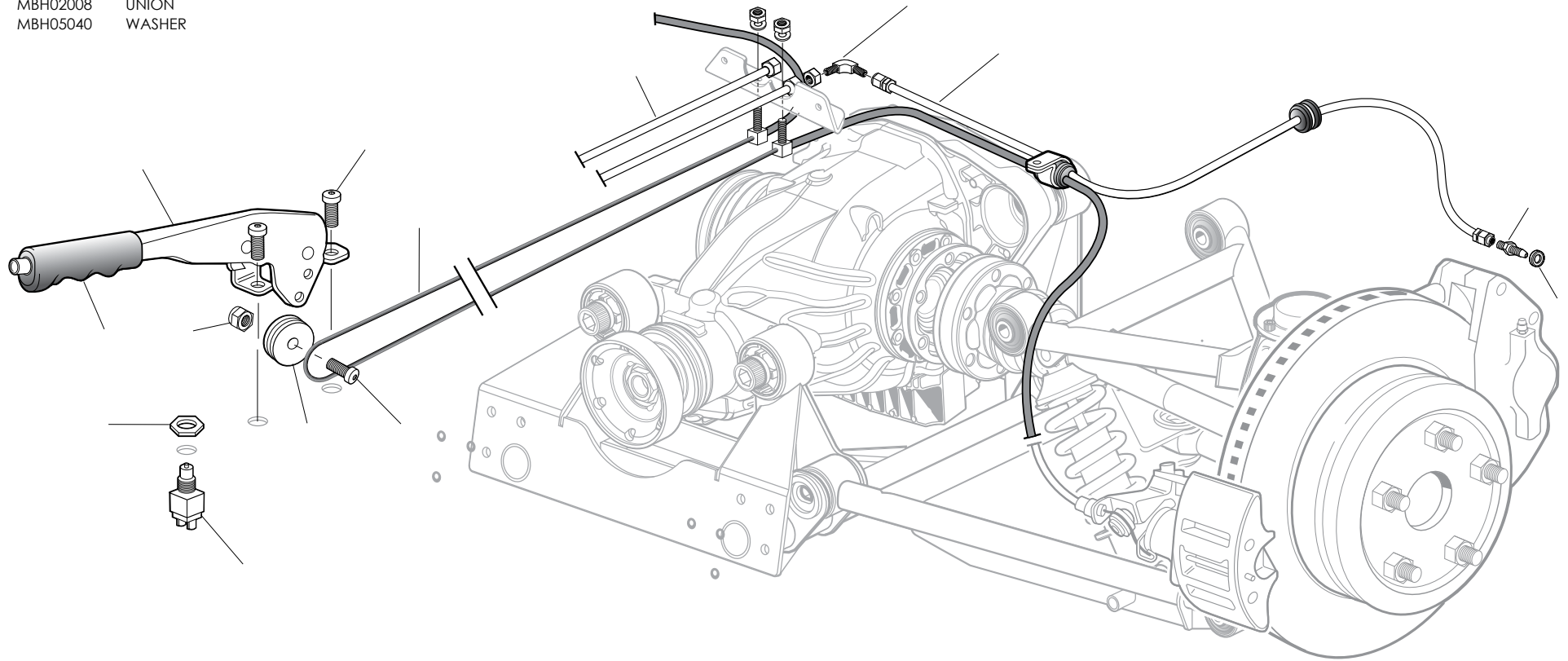


Handbrake



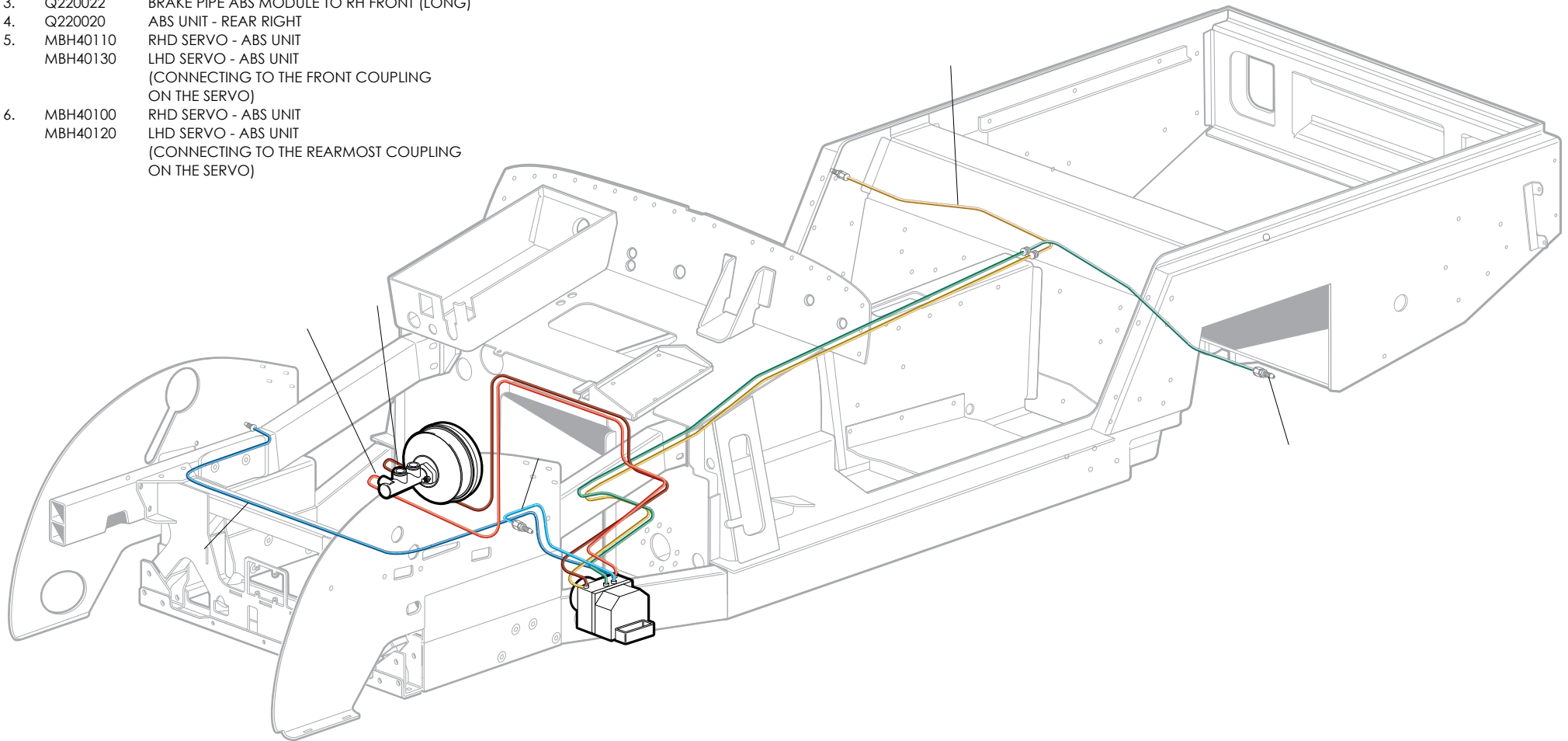
Handbrake

- | | | |
|-----|----------|-----------------------|
| 1. | RBH13010 | HANDBRAKE LEVER |
| 2. | | SOCKET BUTTON M8x20 |
| 3. | MBH15760 | PULLEY |
| 4. | | SOCKET BUTTON M8x20 |
| 5. | MBH15755 | NUT |
| 6. | U220029 | HANDBRAKE CABLE 4.8 |
| 7. | RBH13015 | HANDBRAKE GRIP |
| 8. | MDE2601 | NUT |
| 9. | MDE2600 | SWITCH |
| 10. | Q220019 | BRAKE PIPE LH |
| | Q220020 | BRAKE PIPE RH |
| 11. | U220030 | BRAKE UNION 90 DEGREE |
| 12. | Q220014 | BRAKE PIPE |
| 13. | MBH02008 | UNION |
| 14. | MBH05040 | WASHER |



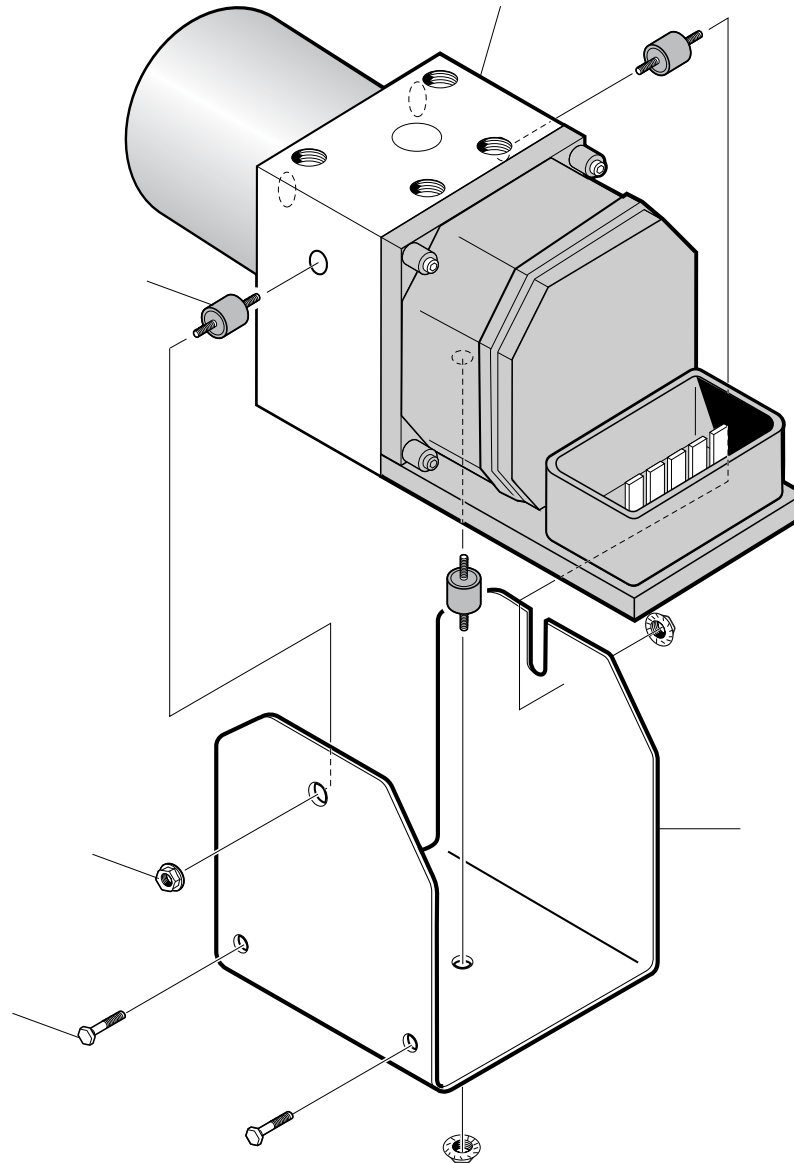
Brake Pipes

- 1. Q220019 ABS UNIT - REAR LEFT
- 2. Q220021 BRAKE PIPE ABS MODULE TO LH FRONT (SHORT)
- 3. Q220022 BRAKE PIPE ABS MODULE TO RH FRONT (LONG)
- 4. Q220020 ABS UNIT - REAR RIGHT
- 5. MBH40110 RHD SERVO - ABS UNIT
MBH40130 LHD SERVO - ABS UNIT
(CONNECTING TO THE FRONT COUPLING ON THE SERVO)
- 6. MBH40100 RHD SERVO - ABS UNIT
MBH40120 LHD SERVO - ABS UNIT
(CONNECTING TO THE REARMOST COUPLING ON THE SERVO)



Anti-lock Braking System (ABS)

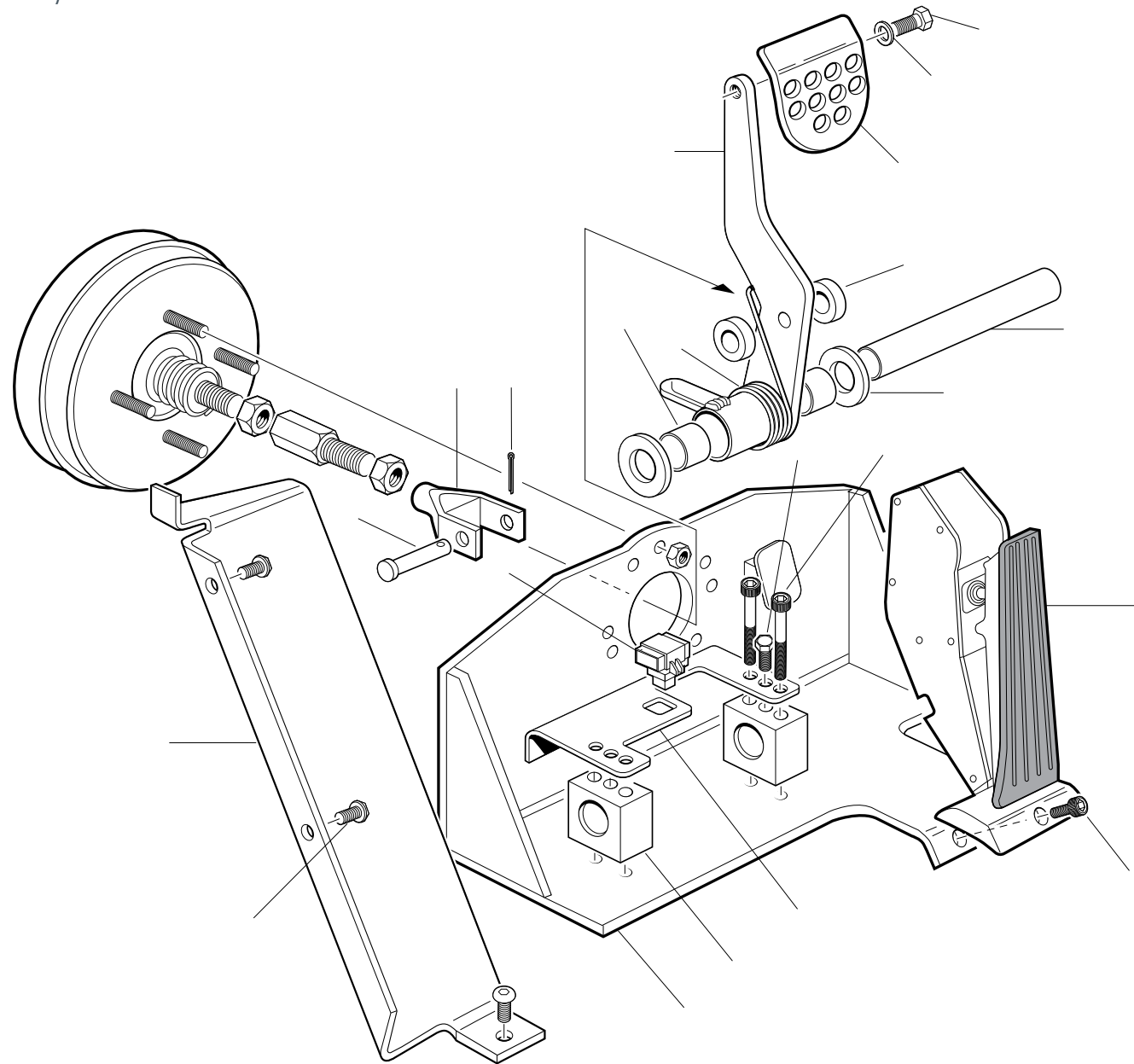
1. MBH40020 ABS UNIT
2. MBH40025 ABS MODULATOR MTG BKT
3. MEP33415 MOUNTING RUBBER
4. NUT M6 FLANGED
5. SCREW M6 X 15



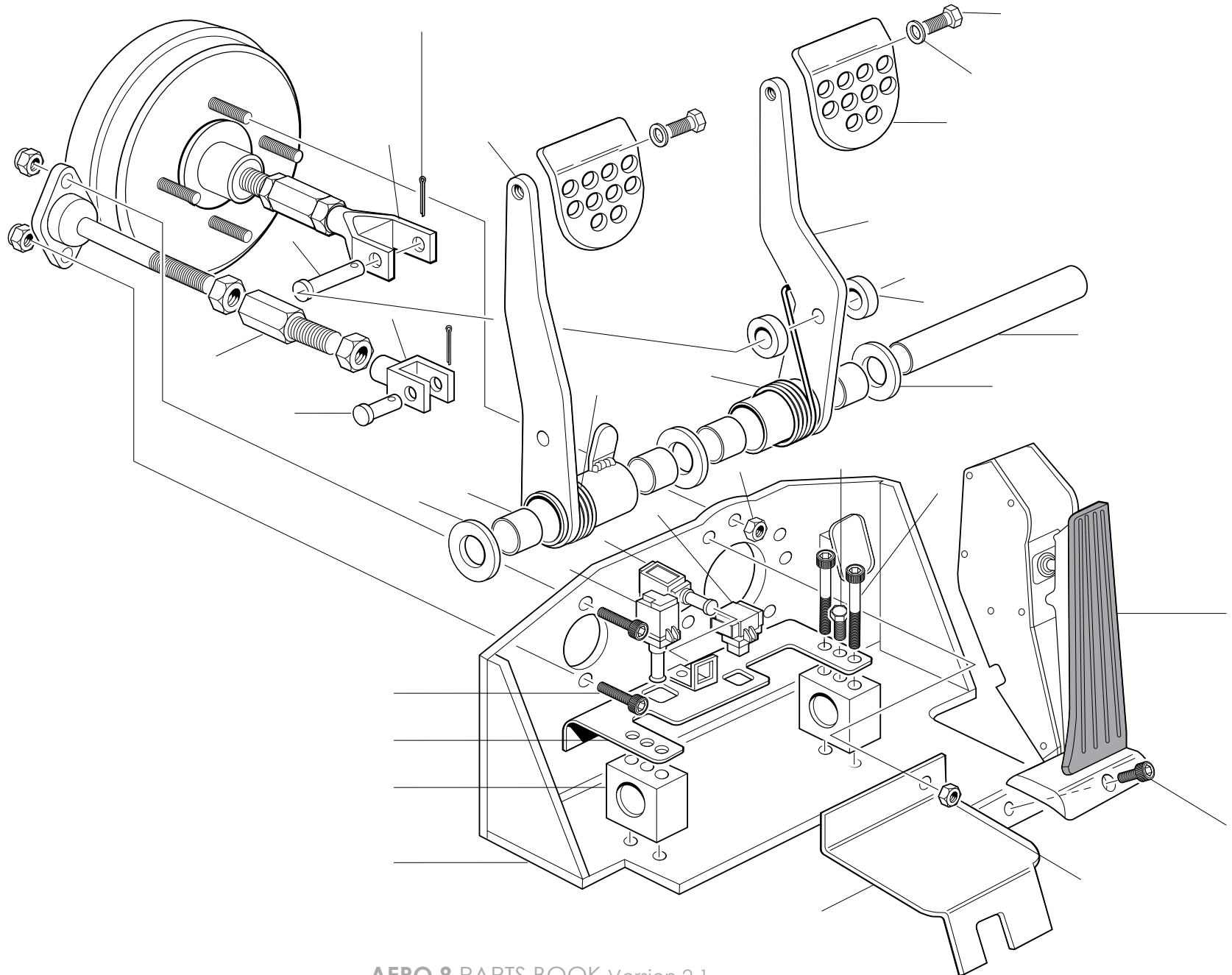
Pedal Box Assembly (Automatic)

MBH08903 BRAKE/CLUTCH PEDAL ASSY

1. MCF01521 FOOT REST LH
MCF01520 FOOT REST RH
2. SOCKET BUTTON M6x15
3. MBH10322 PEDAL BOX ASSEMBLY
4. MBH0960 MOUNTING BLOCK
5. MBH00946 MOUNTING PLATE
6. SOCKET BUTTON M6x15
7. MEE69920 ACCELERATOR PEDAL ASSEMBLY
8. SOCKET CAP HD M6x55
9. MGB0200 BOLT SET 1/4 X 1/2 UNF
HEX HEAD STEEL ZINC/CLEAR PASS.
10. MBH0961 WASHER 13/8x3/4x3/32
11. MBH0940 SHAFT
12. MEC12330 SPACER
13. MBH10200 PEDAL PAD
14. WASHER SPRING 5/16
15. SOCKET BUTTON M8x20
16. MBH09911 PEDAL
17. MBH0981 SPACER
18. MBH04100 BRAKE LIGHT SWITCH
19. MGP0030 SPLIT PIN
20. MBH11720 FORK
21. MBH0910 CLEVIS PIN 5/16"
22. MBH1032 BRAKE PEDAL SPRING



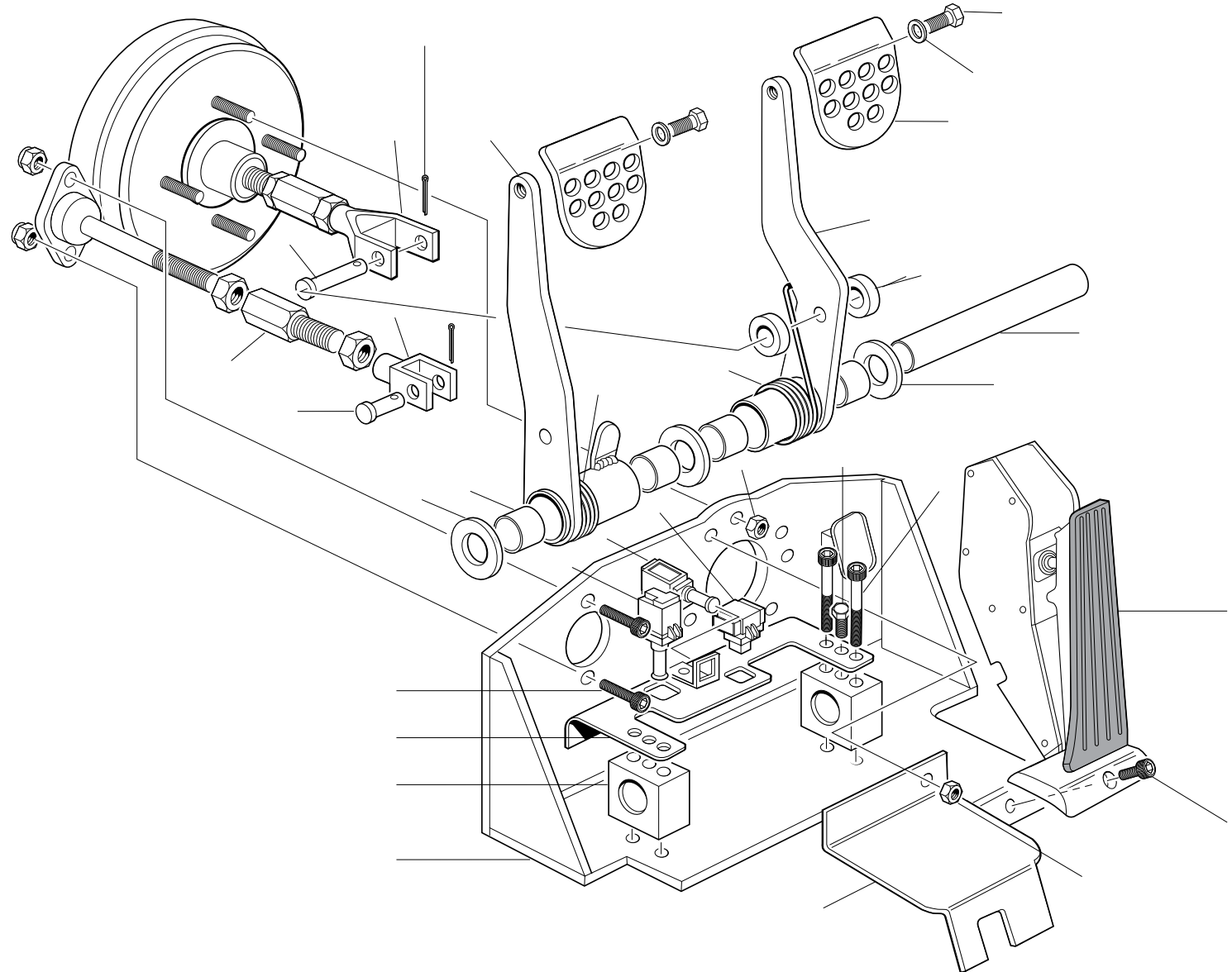
Pedal Box Assembly (Manual)



Pedal Box Assembly (Manual)

MBH08901 BRAKE/CLUTCH PEDAL ASSY RH
MBH08902 BRAKE/CLUTCH PEDAL ASSY LH

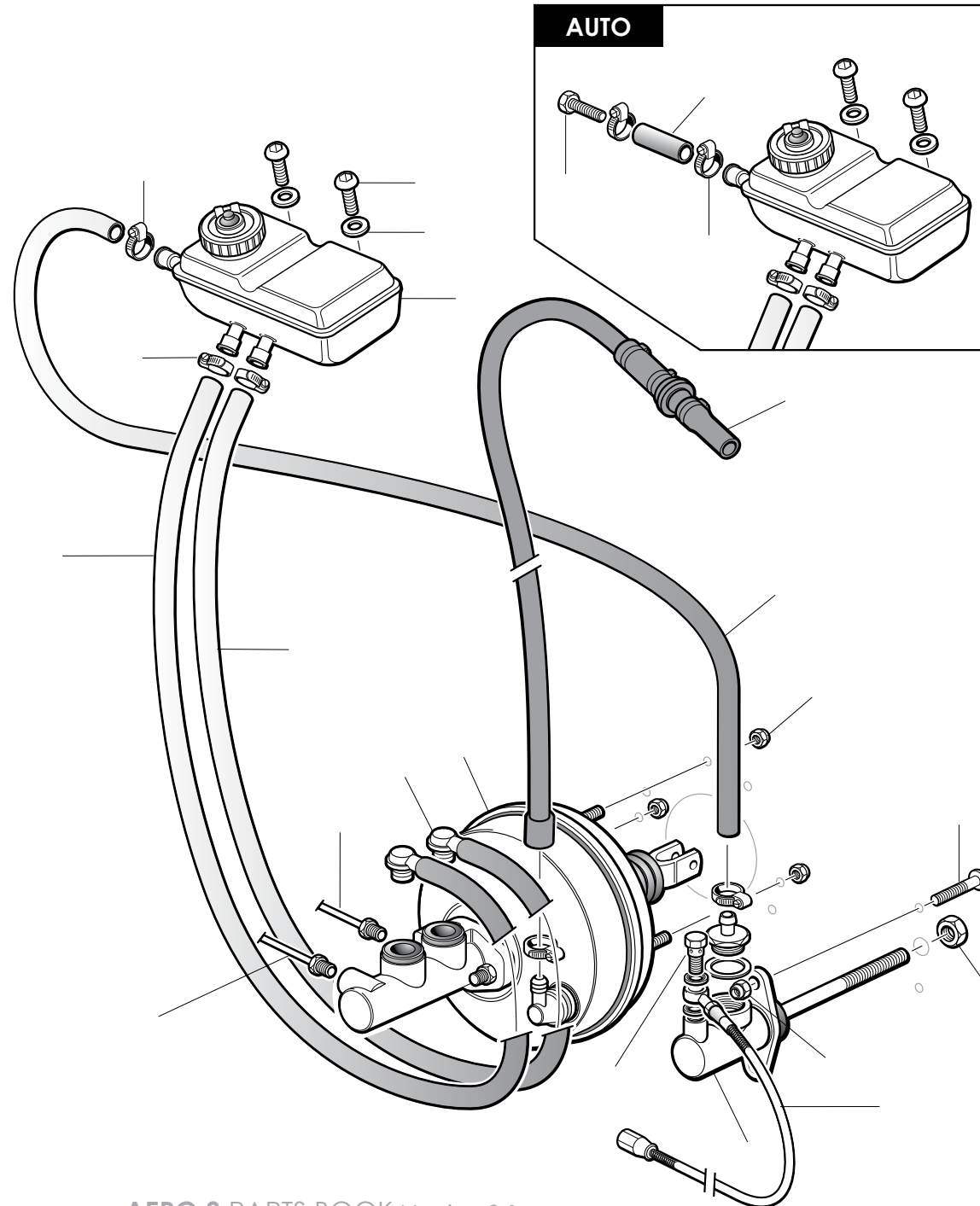
1. SOCKET CAPHD M12x40
2. MBH00952 MOUNTING PANEL
3. MBH00960 MOUNTING BLOCK
4. MBH10323 PEDAL BOX ASSEMBLY
5. RBH00943 PEDAL BOX ASSY. SWITCH COVER
6. NUT M8 NYLOC (T)
7. SOCKET BUTTON M8x20
8. MBH18601 ACCELERATOR PEDAL ASSEMBLY
9. MGS06110 SCREW
10. MGB0200 BOLT
11. MBH0961 WASHER
12. MBH0940 PEDAL SHAFT
13. MEC12330 SPACER
14. MBH09911 BRAKE PEDAL
15. MBH10200 BRAKE/CLUTCH PEDAL PAD
16. MGW0315 WASHER
17. SOCKET BUTTON M8x20
18. MGP0030 SPLIT PIN
19. MBH11720 FORK
20. MBH0910 CLEVIS PIN
21. MBH09981 CLUTCH PEDAL
22. MBH11720 FORK
23. MBH09130 CLEVIS PIN n62
24. MBH0961 WASHER
25. MBH0981 PEDAL BUSH
26. MDE17820 CLUTCH SWITCH
27. MDE17810 CLUTCH SWITCH
28. MBH04100 BRAKE PEDAL SWITCH
29. NUT M8 NYLOC (T)
30. MBH1031 BRAKE PEDAL SPRING LH
31. MBH1032 BRAKE PEDAL SPRING RH
32. MBH09915 BRAKE YOKE SPACER N62



Brake & Clutch Hydraulics

- 1. MBH18001 BRAKE/CLUTCH RESERVOIR
- 2. SOCKET BUTTON M5x6
- 3. WASHER FLAT 6mm
- 4. MGC0026 CLIP
- 5. MBH17825 CLUTCH HOSE RHD
- 5. MBH17820 CLUTCH HOSE LHD
- 6. MBH06622 BRAKE SERVO PIPE

- 8. MBH01555 BRAKE HOSE RHD
- 9. MBH01550 BRAKE HOSE LHD
- 10. MGC0026 CLIP
- 11. MBH40120 BRAKE PIPE
- 12. MBH40130 BRAKE PIPE
- 13. MBH04902 BRAKE MASTER CYLINDER/SERVO
- 14. NUT M8 NYLOC (T)
- 15. SOCKET BUTTON M8x25
- 16. NSS PART OF ITEM 20
- 17. MBH04920 BANJO BOLT
- 17. MBH05040 SEAL
- 18. MGN0061 NUT M8 HEX FULL STEEL
- 18. ZINC AND YELLOW PASSIVATED
- 19. MBH06756 CLUTCH MASTER CYLINDER N62
- 20. MBH17800 CLUTCH PIPE RH
- 20. MBH17810 CLUTCH PIPE LH
- 21. MBH0234 BLANKING HOSE
- 22. NSS PART OF ITEM 21
- 23. NSS PART OF ITEM 21
- 24. MBH04922 MASTER CYL INLET ELBOW



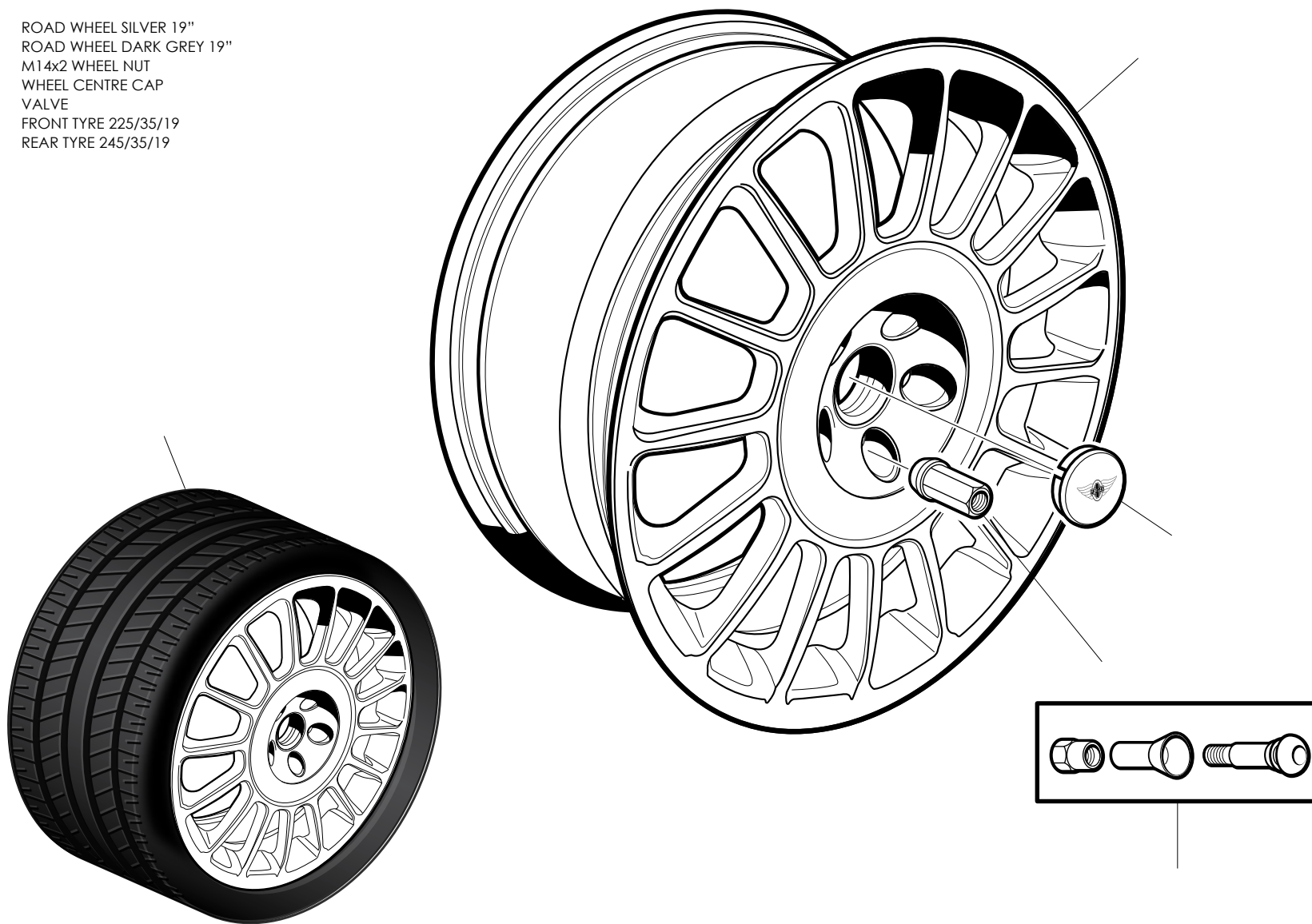


WHEELS AND SUSPENSION

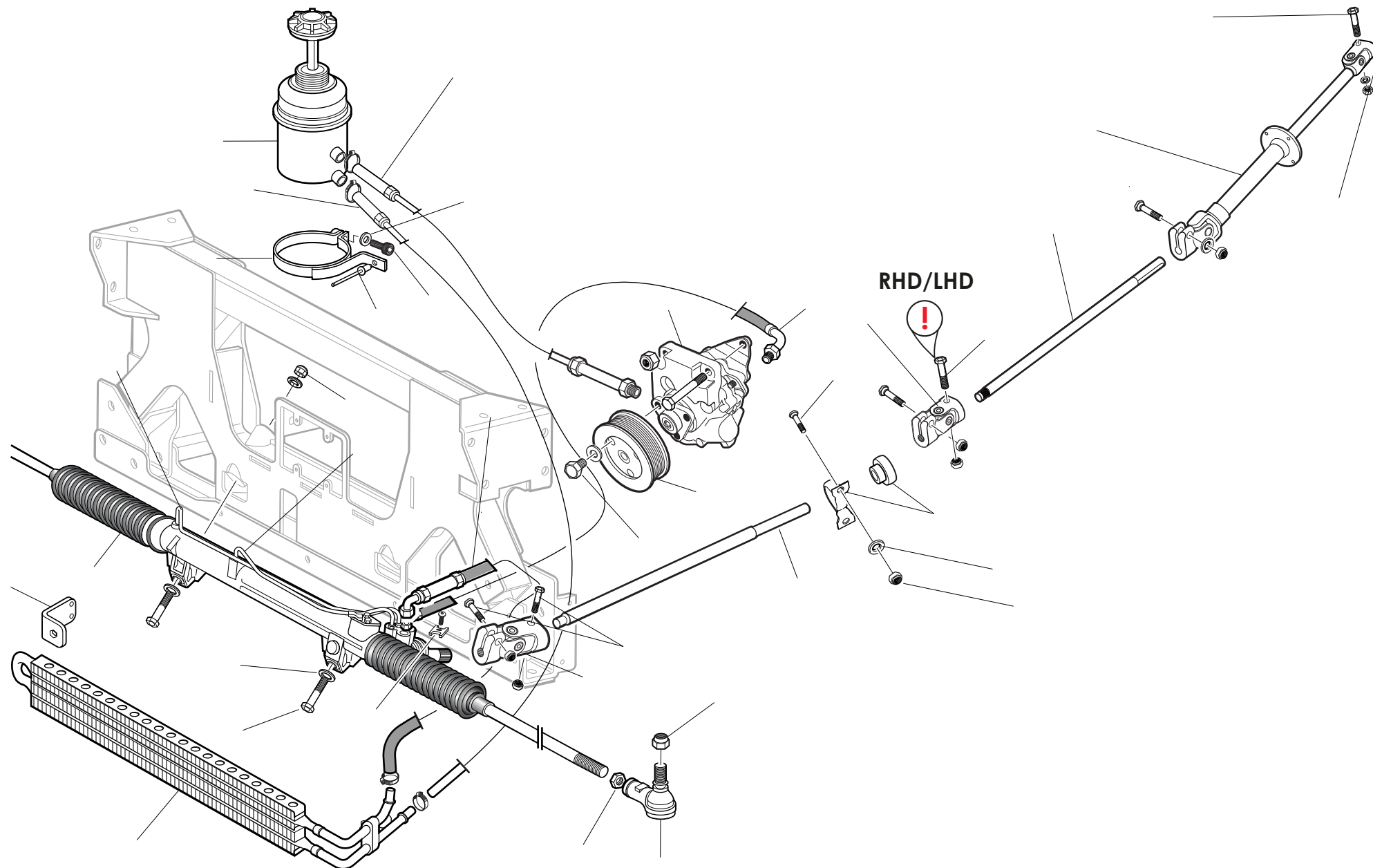
AERO 8 PARTS BOOK Version 2.1

Wheels

1. U180016 ROAD WHEEL SILVER 19"
U180017 ROAD WHEEL DARK GREY 19"
2. MRW02901 M14x2 WHEEL NUT
3. U400029 WHEEL CENTRE CAP
4. MRW01952 VALVE
5. U180021 FRONT TYRE 225/35/19
U180022 REAR TYRE 245/35/19

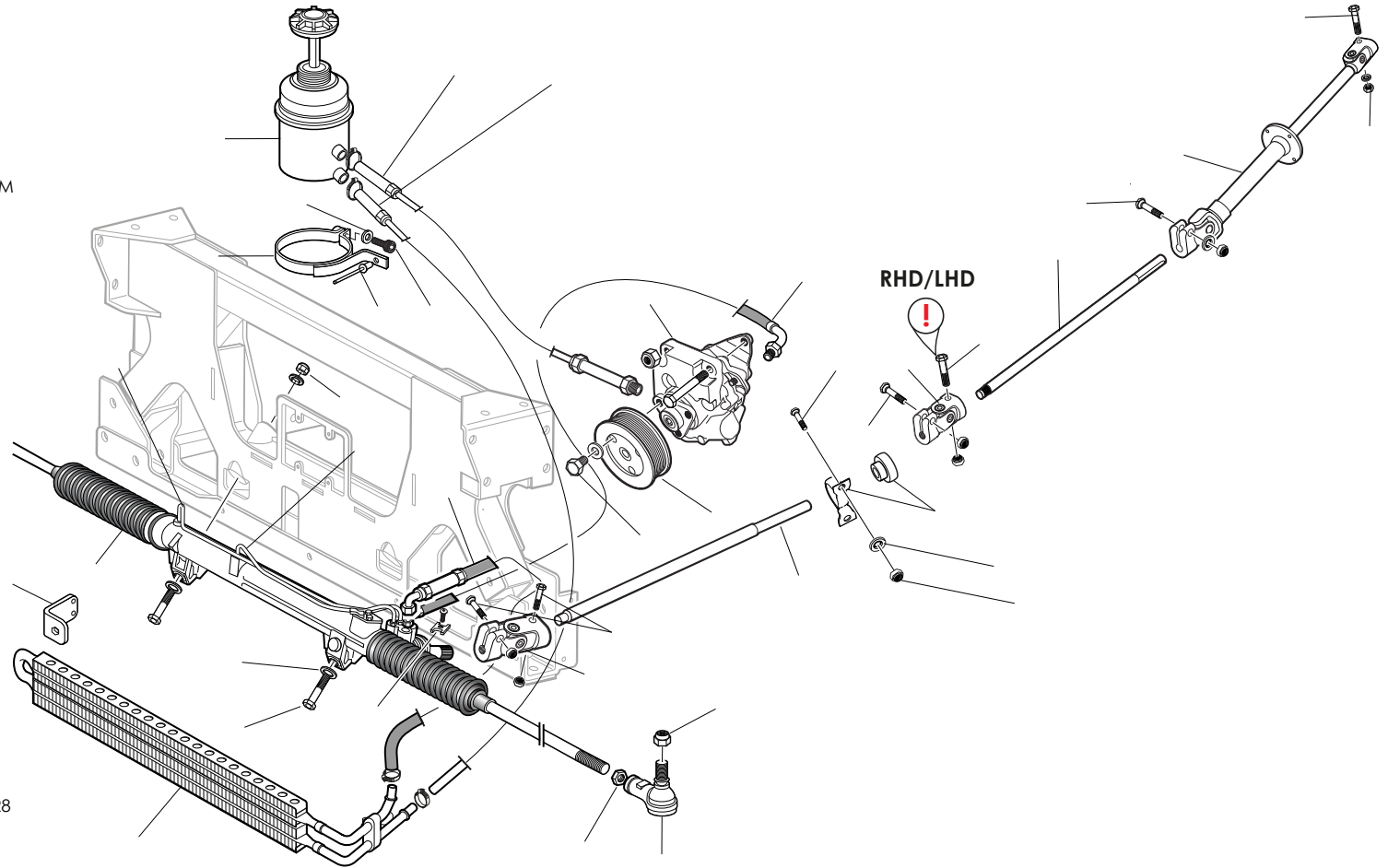


Steering Rack



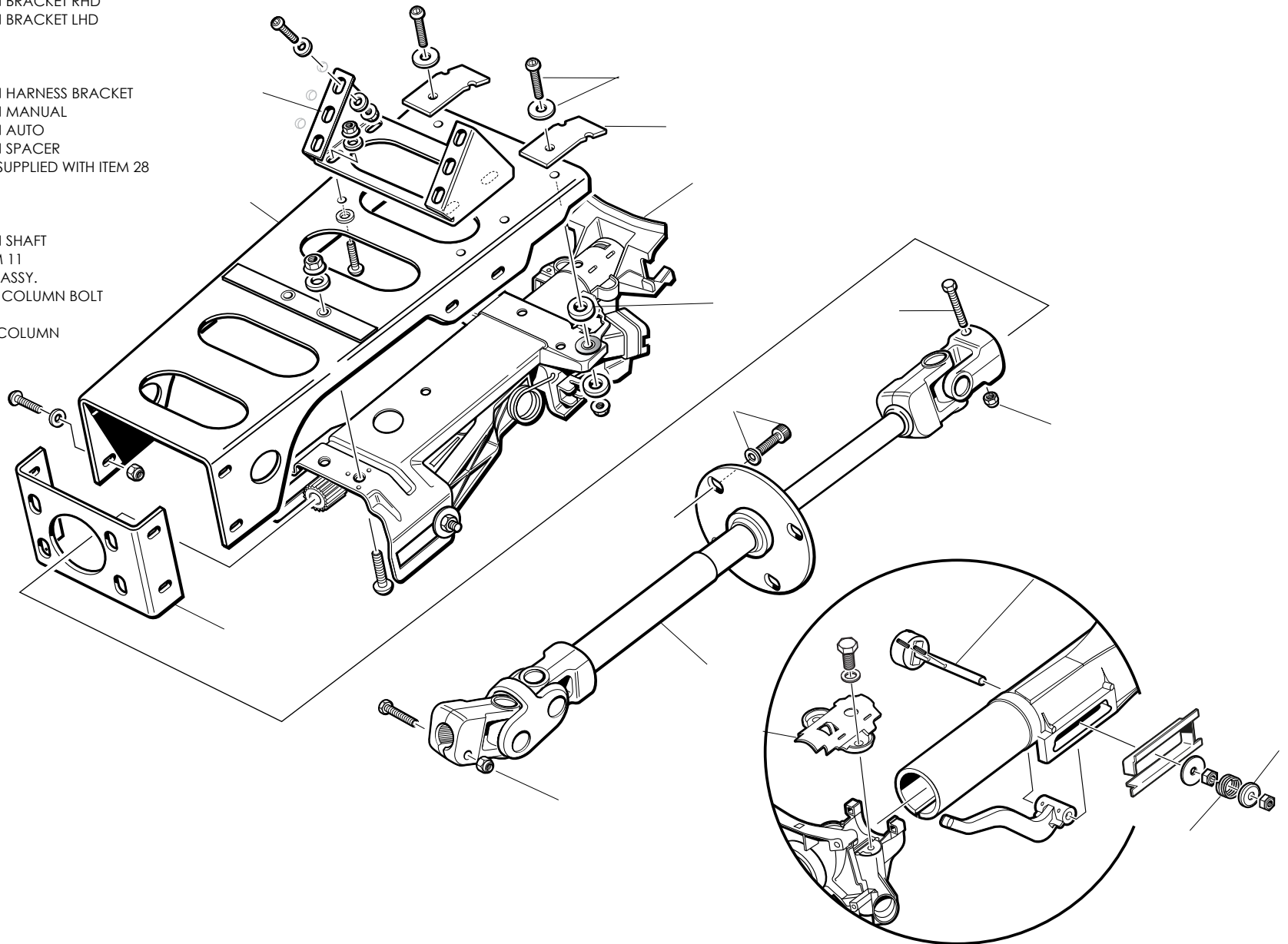
Steering Rack

- 1. U190035 OIL COOLER POWER STEERING
- 2. B250011 PAS RADIATOR MTG RH
- 3. A190037 POWER STEERING RACK LHD
A190038 POWER STEERING RACK RHD
- 4. MSR070009 PINION PIPE - RACK LONG LH
MSR070011 PINION PIPE - RACK LONG RH
- 5. M10 K-NUT
WASHER 1" X 29/64" X 1/8"
- 6. MSR07008 PIPE PINION - RACK LHD
MSR07010 PIPE PINION - RACK RHD
- 7. MRS0250 WASHER 1" X 29/64 X 1/8
- 8. U190043 STEERING RACK BOLT M10 X 140 X 1.5MM
- 9. MSR06995 RETAINING PLATE PRE 03/09
MSR06996 RETAINING PLATE 03/09
SOCKET BUTTON M8x20
WASHER FLAT 5/16 STEEL
NUT M14 LOCK NUT
- 10. T190041 TRACK ROD END E90 LH
T190042 TRACK ROD END E90 RH
- 11. BOLT 5/16 X 1 3/8
- 12. NSS PART OF ITEM 11
- 13. MSR00332 STEERING SHAFT JOINT
- 14. Q190003 POWER STEERING PUMP- PRESSURE PIPE
- 15. Q190008 RHD PAS RACK TO OIL COOLER PIPE
RIVNUT INSERT 6MM
- 16. MSR06910 POWER STEERING RESERVOIR BKT
- 17. MSR06901 POWER STEERING RESERVOIR
- 18. RPS0894 HOSE - POWER STEERING PUMP
TO RESERVOIR
- 19. Q190006 HOSE - RESERVOIR TO
OIL COOLER RETURN PIPE
- 20. WASHER FLAT 6mm
- 21. MGS06304 SCREW
- 22. Q190009 POWER STEERING PUMP
PRESSURE HOSE
- 23. U190030 POWER STEERING PUMP
BOLT M8 X 20
- 24. MSR00330 STEERING SHAFT LOWER
- 25. MSR00301 STEERING SHAFT UPPER FACELIFT
- 26. MSR00007 STEERING COLUMN
- 27. BOLT M8 X 35 (20MM SHOULDER) SUPPLIED WITH ITEM 28
- 28. NSS SUPPLIED WITH ITEM 28
- 29. MSR0051 BEARING STEERING
- 30. WASHER PENNY 5/16
- 31. NUT 5/16 UNF NYLOC
- 32. MSR00312 STEERING SHAFT LOWER LH
- 33. MSR00313 STEERING SHAFT LOWER RH
- 34. U190031 BOLT
- 35. U190033 PULLEY
- 36. M8 K-NUT (RHD ONLY)
- 37. SOCKET BUTTON M8 X 35 (RHD ONLY)
- 38. BOLT 5/16 X 1 3/8 (LHD ONLY)
- 39. NUT 5/16 UNF NYLOC (LHD ONLY)



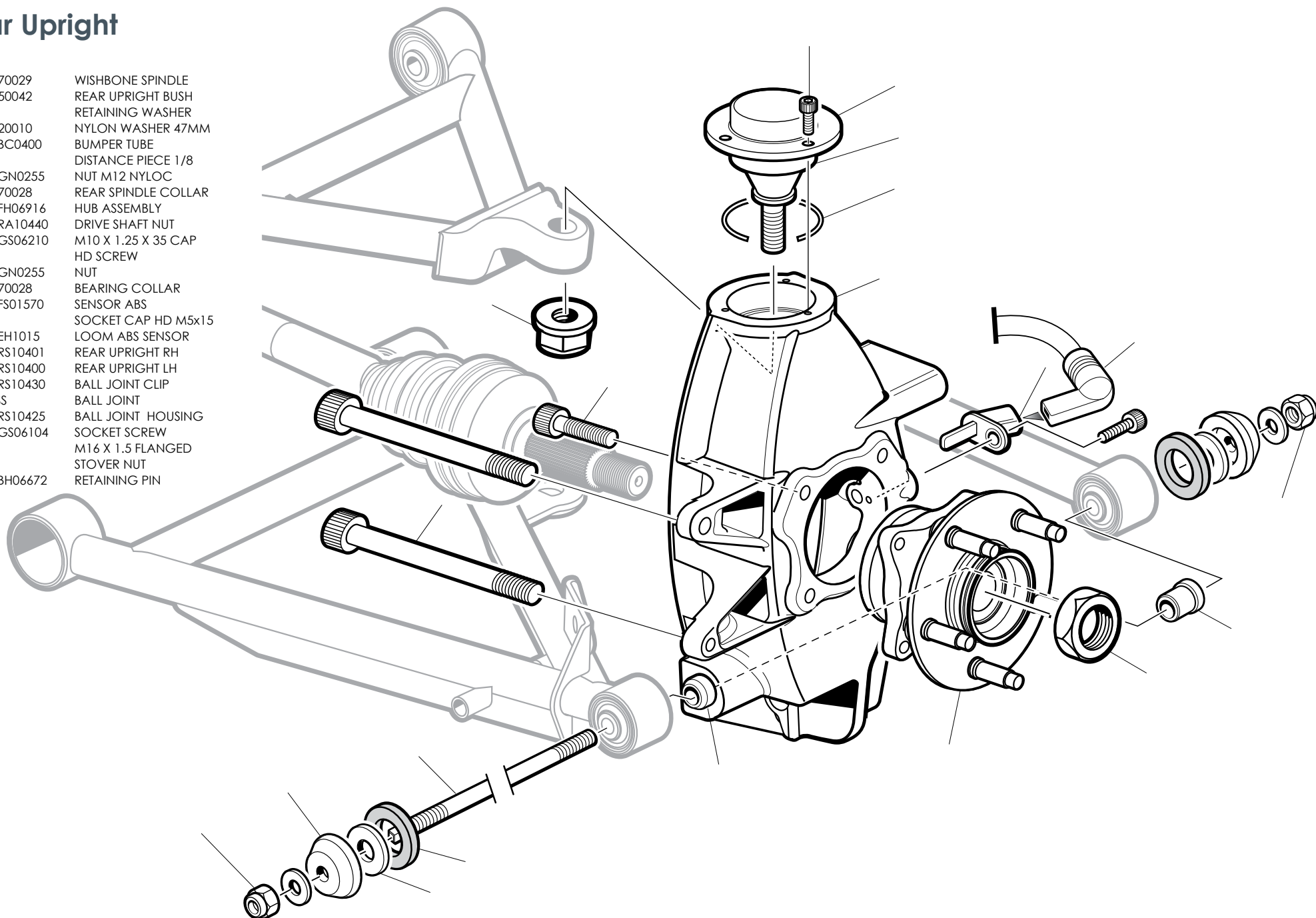
Steering Column & Linkage

- 1. MSR00221 U BRACKET
- 2. MSR00216 STEERING COLUMN BRACKET RHD
MSR00215 STEERING COLUMN BRACKET LHD
- 3. MSR00210 TOP BRACKET
- 4. MGS06330 SCREW
MGW0017 WASHER
- 5. MEH10195 STEERING COLUMN HARNESS BRACKET
- 6. MSR00005 STEERING COLUMN MANUAL
MSR00006 STEERING COLUMN AUTO
- 7. MSR00225 STEERING COLUMN SPACER
- 8. BOLT M8 X 35 (20MM SHOULDER) SUPPLIED WITH ITEM 28
- 9. MGN0095 NUT
- 10. MGS06304 SCREW
MGW0018 WASHER
- 11. MSR00007 STEERING COLUMN SHAFT
12. NSS SUPPLIED WITH ITEM 11
- 13. U190045 ADJUSTMENT BOLT ASSY.
- 14. S190007 SPRING - STEERING COLUMN BOLT
- 15. T090046 SPRING RETAINER
- 16. U190020 CIRCLIP STEERING COLUMN



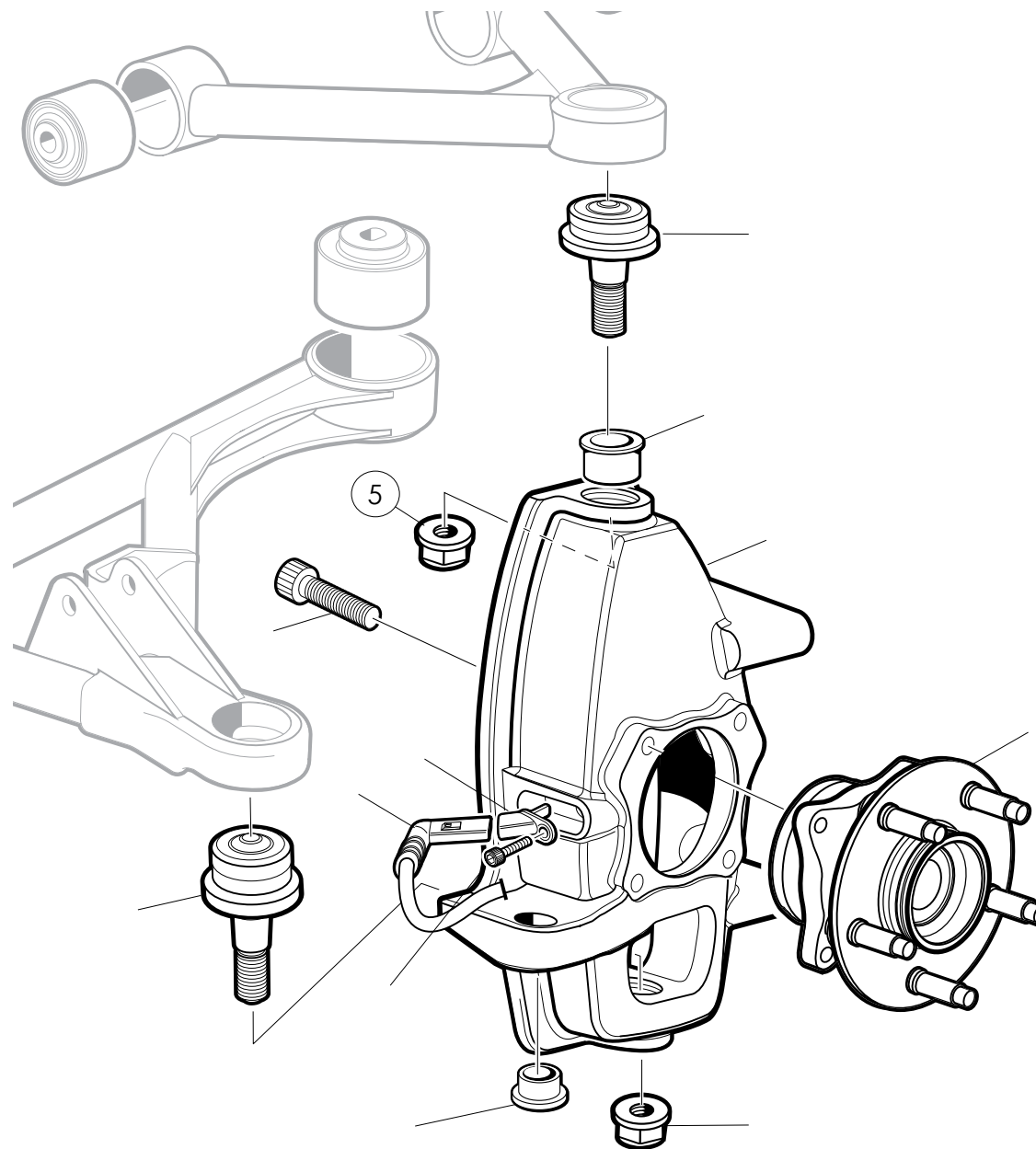
Rear Upright

- | | | |
|-----|----------|---------------------------------------|
| 1. | T170029 | WISHBONE SPINDLE |
| 2. | T150042 | REAR UPRIGHT BUSH
RETAINING WASHER |
| 2a | T520010 | NYLON WASHER 47MM |
| 2b | MBC0400 | BUMPER TUBE
DISTANCE PIECE 1/8 |
| 3. | MGN0255 | NUT M12 NYLOC |
| 4. | T170028 | REAR SPINDLE COLLAR |
| 5. | MFH06916 | HUB ASSEMBLY |
| 6. | MRA10440 | DRIVE SHAFT NUT |
| 7. | MGS06210 | M10 X 1.25 X 35 CAP
HD SCREW |
| 8. | MGN0255 | NUT |
| 9. | T170028 | BEARING COLLAR |
| 10. | MFS01570 | SENSOR ABS
SOCKET CAP HD M5x15 |
| 11. | MEH1015 | LOOM ABS SENSOR |
| 12. | MRS10401 | REAR UPRIGHT RH |
| | MRS10400 | REAR UPRIGHT LH |
| 13. | MRS10430 | BALL JOINT CLIP |
| 14. | NSS | BALL JOINT |
| 15. | MRS10425 | BALL JOINT HOUSING |
| 16. | MGS06104 | SOCKET SCREW
M16 X 1.5 FLANGED |
| 17. | | STOVER NUT |
| 18. | MBH06672 | RETAINING PIN |

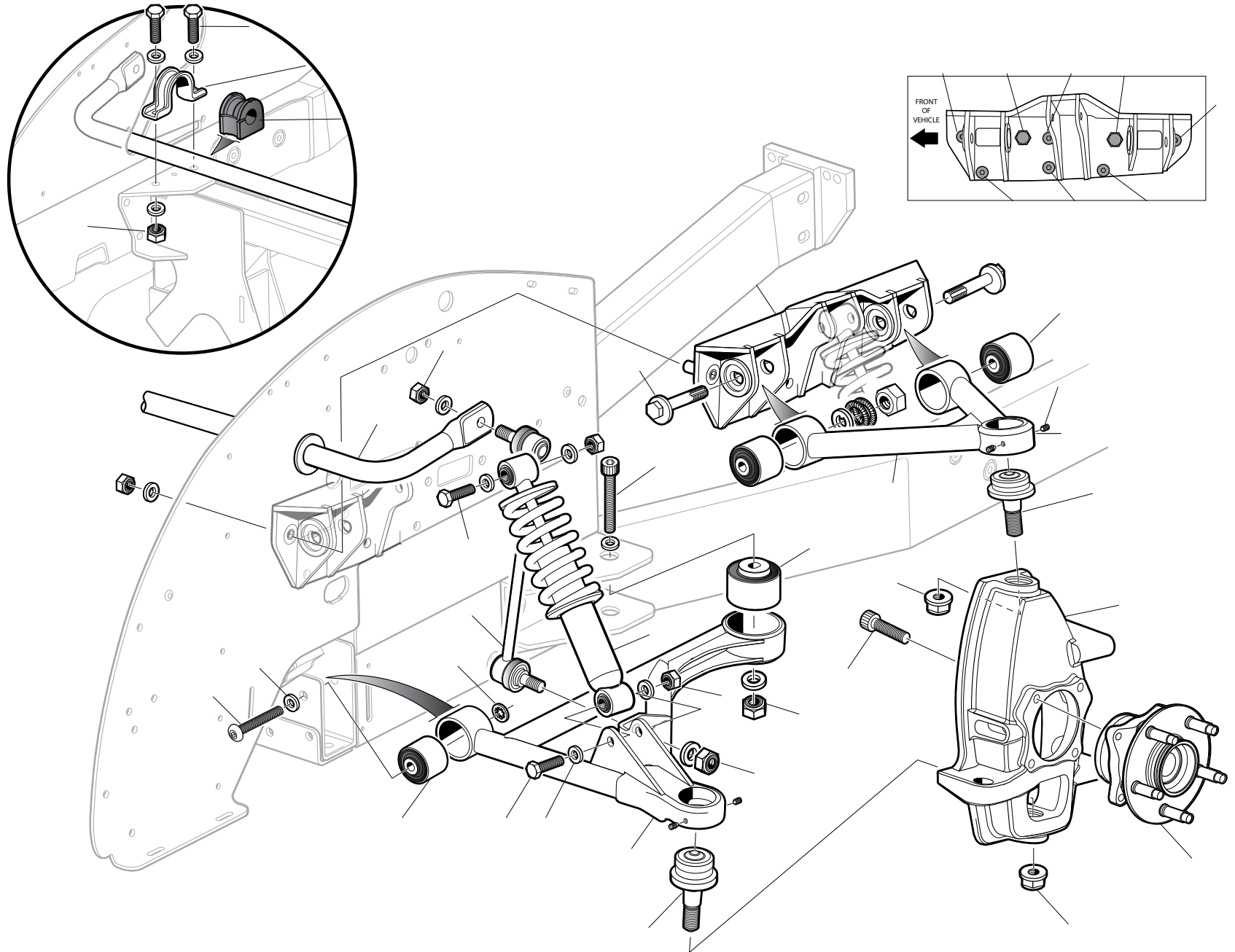


Front Upright

- | | | |
|-----|----------|------------------------------|
| 1. | MFS1499 | BALL JOINT |
| 2. | MFS01580 | BALL JOINT COLLAR |
| 3. | T160063 | FRONT UPRIGHT LH |
| | T160064 | FRONT UPRIGHT RH |
| 4. | MFH06916 | HUB ASSEMBLY |
| 5. | F160004 | M16 X 1.5 FLANGED STOVER NUT |
| 6. | MFS01595 | FRONT UPRIGHT COLLAR |
| 7. | NSS | SCREW |
| 8. | MEH10150 | LOOM ABS SENSOR |
| 10. | NSS | BALL JOINT |
| 11. | MGS06210 | SOCKET SCREW |
| 12. | MFS01570 | ABS WHEEL SPEED SENSOR |



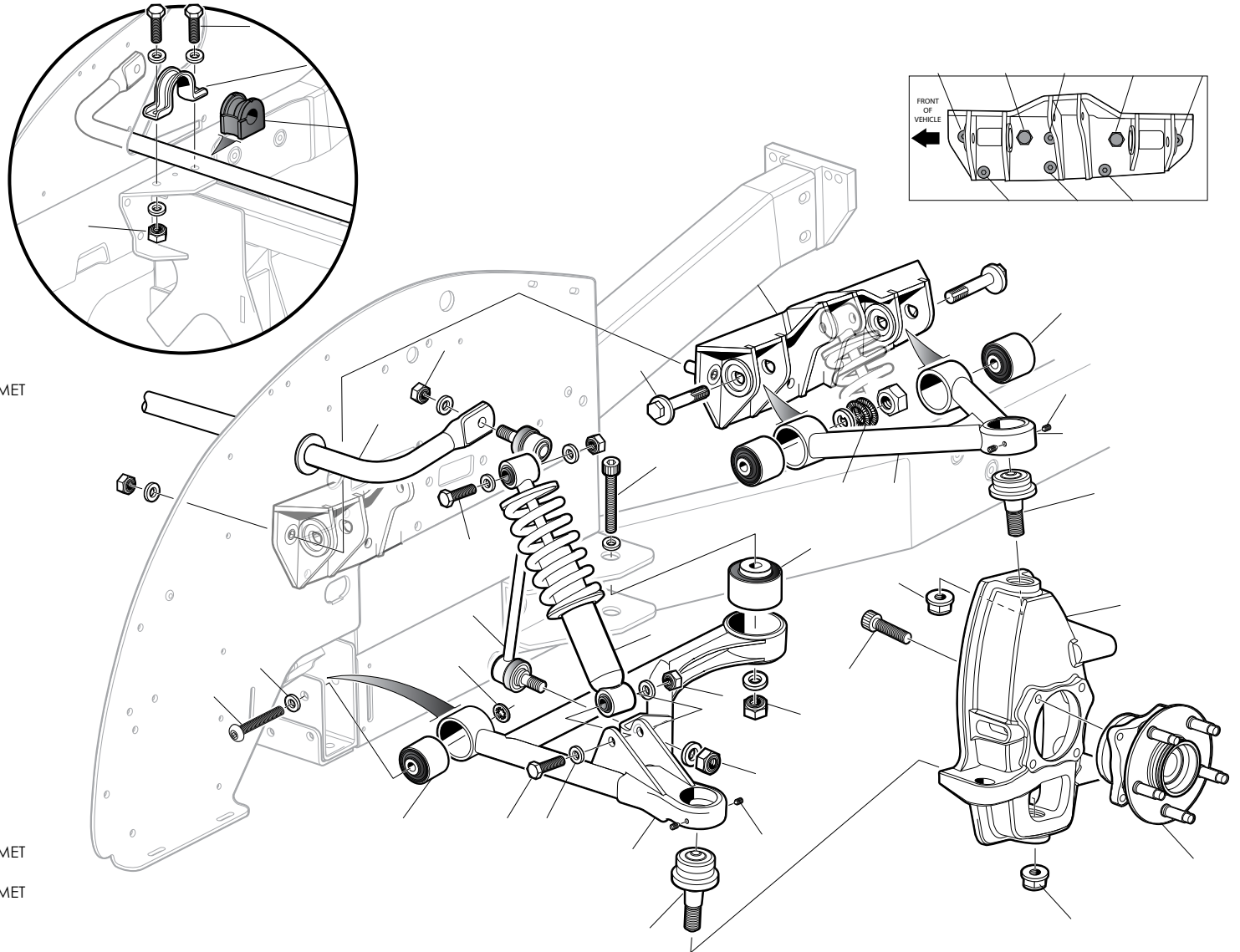
Front Suspension



Front Suspension

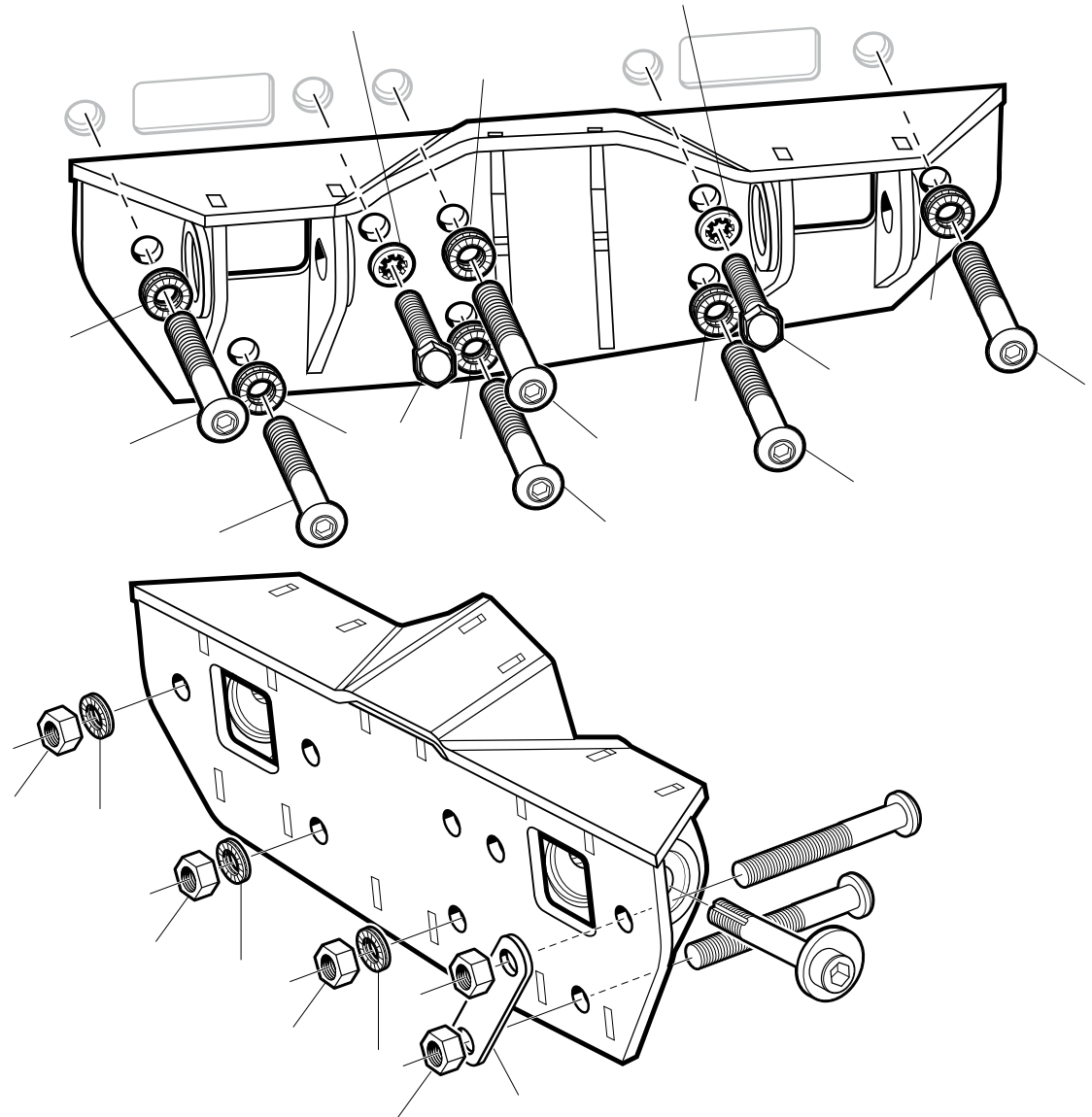
- | | | |
|-----|----------|--|
| 1. | MGS06316 | SOCKET BUTTON M12x80
30MM THREAD DACROMET |
| 2. | MGW0035 | WASHER FLAT 1/2 |
| 3. | U150008 | LOWER FRONT WISHBONE BUSH |
| 4. | MGB0099 | BOLT M12 X 75 HD DACOMET |
| 5. | MBC0400 | WASHER |
| 6. | A160020 | LOWER WISHBONE LH |
| | A160021 | LOWER WISHBONE RH |
| 7. | MFS01499 | BALL JOINT |
| 8. | | NUT M12 X 1.5 NYLOC |
| | MBC0400 | WASHER |
| 9. | | NUT M12 NYLOC |
| | MBC0400 | WASHER |
| 10. | | NUT M12 NYLOC |
| 11. | U150010 | LOWER FRONT WISHBONE BUSH |
| 12. | U160009 | FRONT SHOCK ABSORBER |
| 13. | MGW0225 | WASHER SHAKE PROOF 12MM |
| 14. | Y150003 | FRONT ARB LINK ROD |
| 15. | | BOLT M12 X 75 HEX HD DACROMET |
| | MBC0400 | WASHER |
| | | NUT M12 NYLOC |
| 16. | S160003 | FRONT ANTI-ROLL BAR |
| 17. | | NUT M12 X 1.5 NYLOC |
| | MBC0400 | WASHER |
| 18. | | M12 X 90 SKT BUTTON HEAD SCREW GEOMET |
| | | WASHER FLAT 1/2 |
| 19. | A150019 | BOLT WELDED ECCENTRIC M12 X 87 |
| | T150026 | ECCENTRIC WASHER |
| | | M12 NORD LOCK WASHER |
| | | M12 PLAIN NUT |
| 20. | A160030 | LH TOP FRONT SUSPENSION MTG |
| | A160031 | RH TOP FRONT SUSPENSION MTG |
| 21. | U150008 | TOP WISHBONE BUSH |
| 22. | A160022 | TOP FRONT WISHBONE ASSY. |
| 23. | MFS01499 | BALL JOINT |
| 24. | T160063 | FRONT UPRIGHT LH |
| | T160064 | FRONT UPRIGHT RH |
| 25. | MFH06916 | HUB ASSEMBLY |
| 26. | F160004 | M16 X 1.5 FLANGED STOVER NUT |
| 27. | MGS06210 | SCREW CAP HD M10 X 35 X 1.25 |
| 28. | Y160003 | ANTI-ROLL BAR BRACKET |
| 29. | NSS | PART OF ITEM 28 |
| 30. | | SCREW SOCKET CAP HD M8 X 25 |
| 31. | | NUT M8 NYLOC (T) |
| | MSB0075 | WASHER |
| 32. | | SCREW BUTTON HD M12 X 70 X 1.75 |
| 33. | | BOLT 3/8 X 1.1/4 UNC HEX HEAD |
| 34. | | M12 X 90 SKT BUTTON HEAD SCREW GEOMET |
| 35. | | M12 X 35 HEX HEAD |
| 36. | | M12 X 90 SKT BUTTON HEAD SCREW GEOMET |

- | | |
|-----|---------------------------------------|
| 37. | M12 X 90 SKT BUTTON HEAD SCREW GEOMET |
| 38. | M12 X 90 SKT BUTTON HEAD SCREW GEOMET |
| 39. | BUTTON HD M12 x70 x 1.75 SCREW |
| 40. | GRUB SCREW M6x12 CONE POINT |

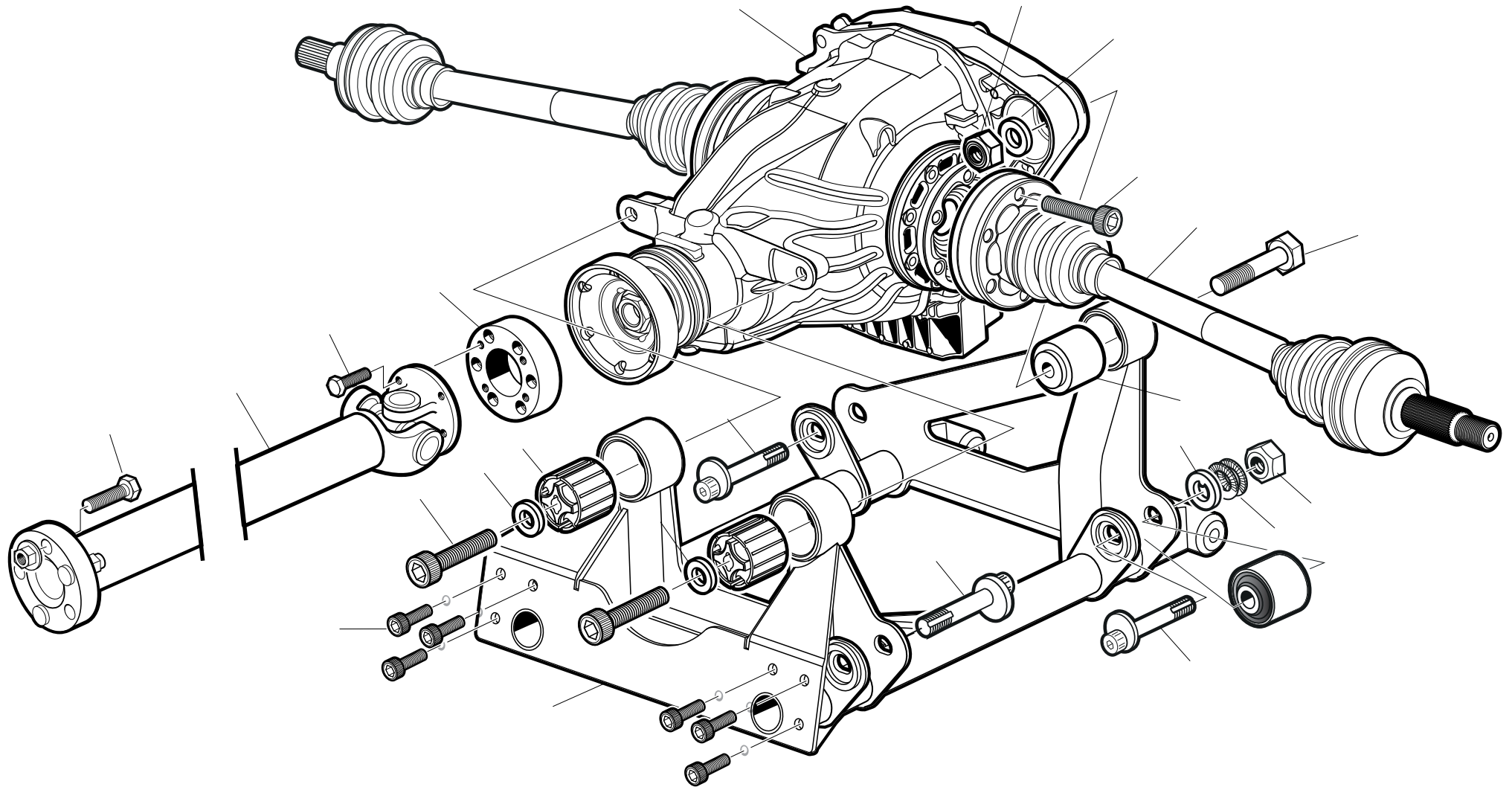


Front Suspension Mounting

1. M12 PLAIN NUT
2. F060005 M12 NORD LOCK WASHER (PAIR)
3. A060158 FRONT CROSSMEMBER
NUT PLATE ASSY
4. M12 X 90 SKT BUTTON HEAD SCREW
5. M12 SHAKEPROOF WASHER
6. BOLT 3/8 X 1.1/4 UNC HEX HEAD
7. M12 X 70 BUTTON HEAD BOLT

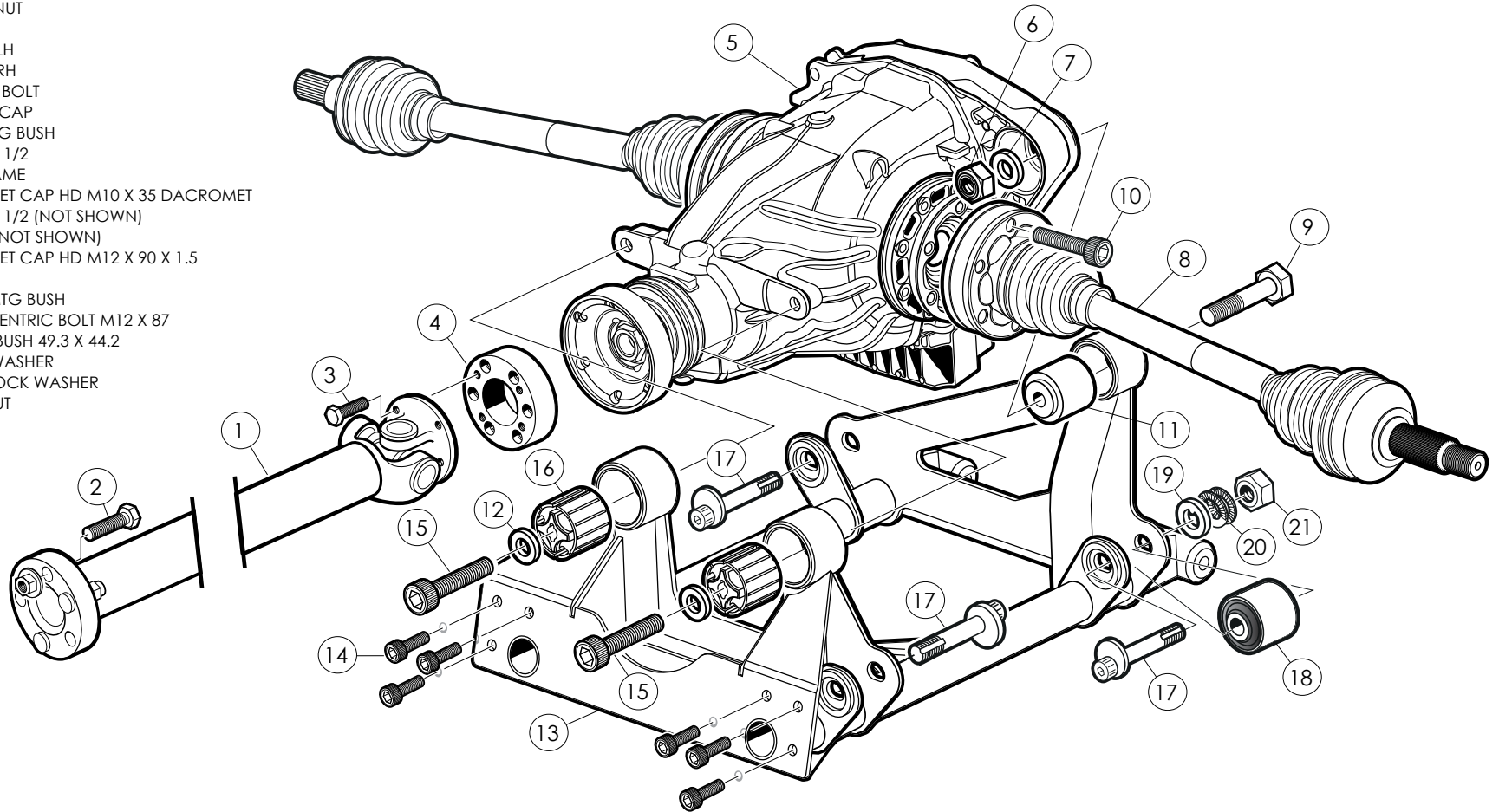


Rear Axle Assembly

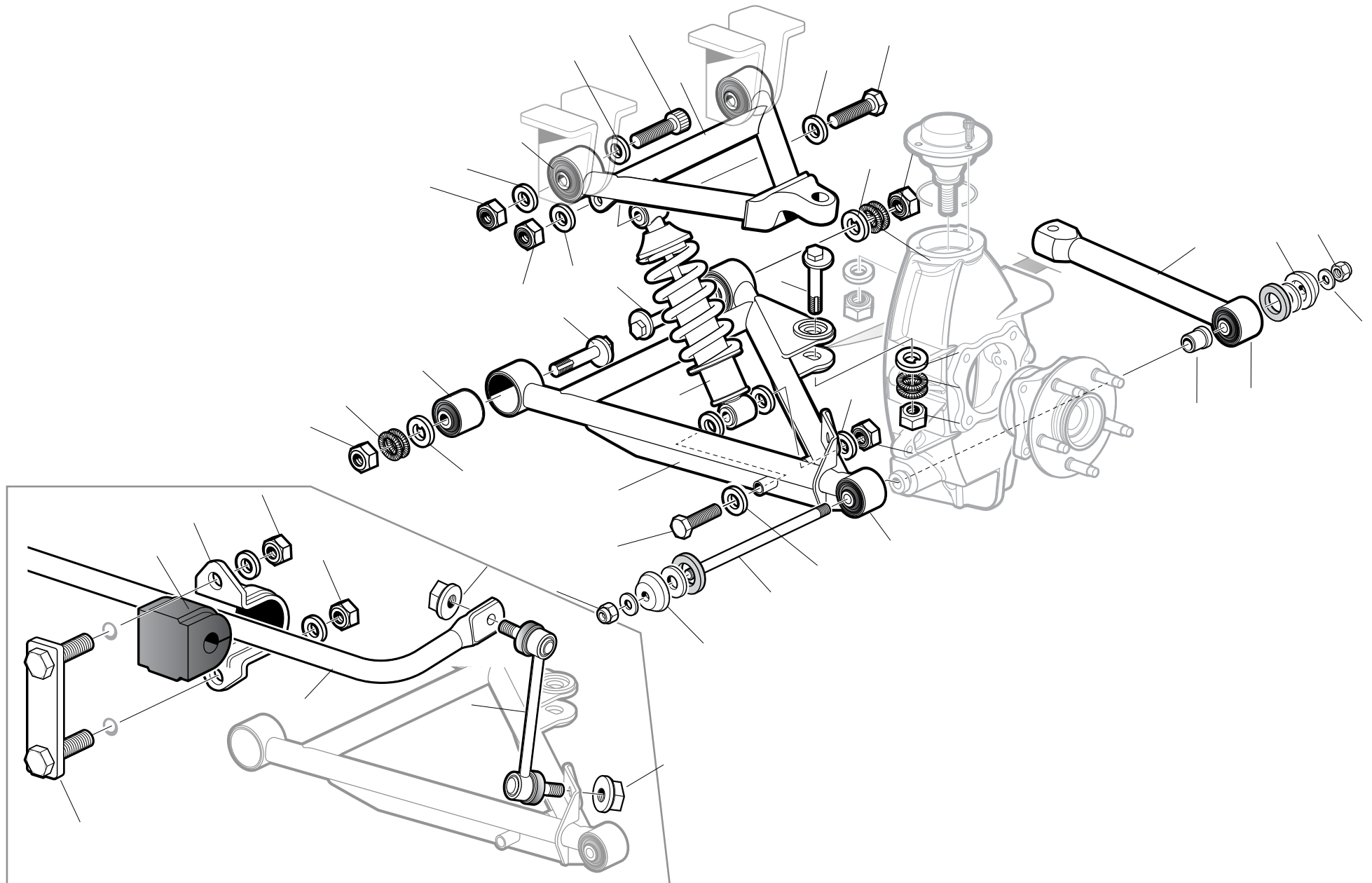


Rear Axle Assembly

- | | | |
|-----|---------------------------------|---|
| 1. | T140001
T120146 | PROPSHAFT MANUAL
PROPSHAFT AUTOMATIC |
| 2. | | BOLT M12 X 75 HEX HD DACROMET |
| 3. | | SCREW SOCKET CAP
HD M10 X 25 DACROMET |
| | MGW0225 | WASHER S/PROOF 12MM |
| 4. | U120058 | PROPSHAFT ADAPTOR |
| 5. | U120057 | DIFFERENTIAL UNIT |
| 6. | U190041 | M14 NYLOC NUT |
| 7. | F170003 | M14 WASHER |
| 8. | T120144
T120145 | DRIVE SHAFT LH
DRIVE SHAFT RH |
| 9. | U500046 | M14 x 2 x 100 BOLT |
| 10. | U170015 | M12 X 45 SKT CAP |
| 11. | M120012 | REAR DIFF MTG BUSH |
| 12. | MGW0035 | WASHER FLAT 1/2 |
| 13. | A170005 | REAR SUB FRAME |
| 14. | MGS06209
MGW0035
MGN01001 | SCREW SOCKET CAP HD M10 X 35 DACROMET
WASHER FLAT 1/2 (NOT SHOWN)
NUT 'K' M10 (NOT SHOWN) |
| 15. | | SCREW SOCKET CAP HD M12 X 90 X 1.5
GEOMET |
| 16. | M120013 | FRONT DIFF MTG BUSH |
| 17. | A150019 | WELDED ECCENTRIC BOLT M12 X 87 |
| 18. | U150008 | SUSPENSION BUSH 49.3 X 44.2 |
| 19. | T150026 | ECCENTRIC WASHER |
| 20. | F060005 | M12 NORD LOCK WASHER |
| 21. | F060006 | M12 PLAIN NUT |

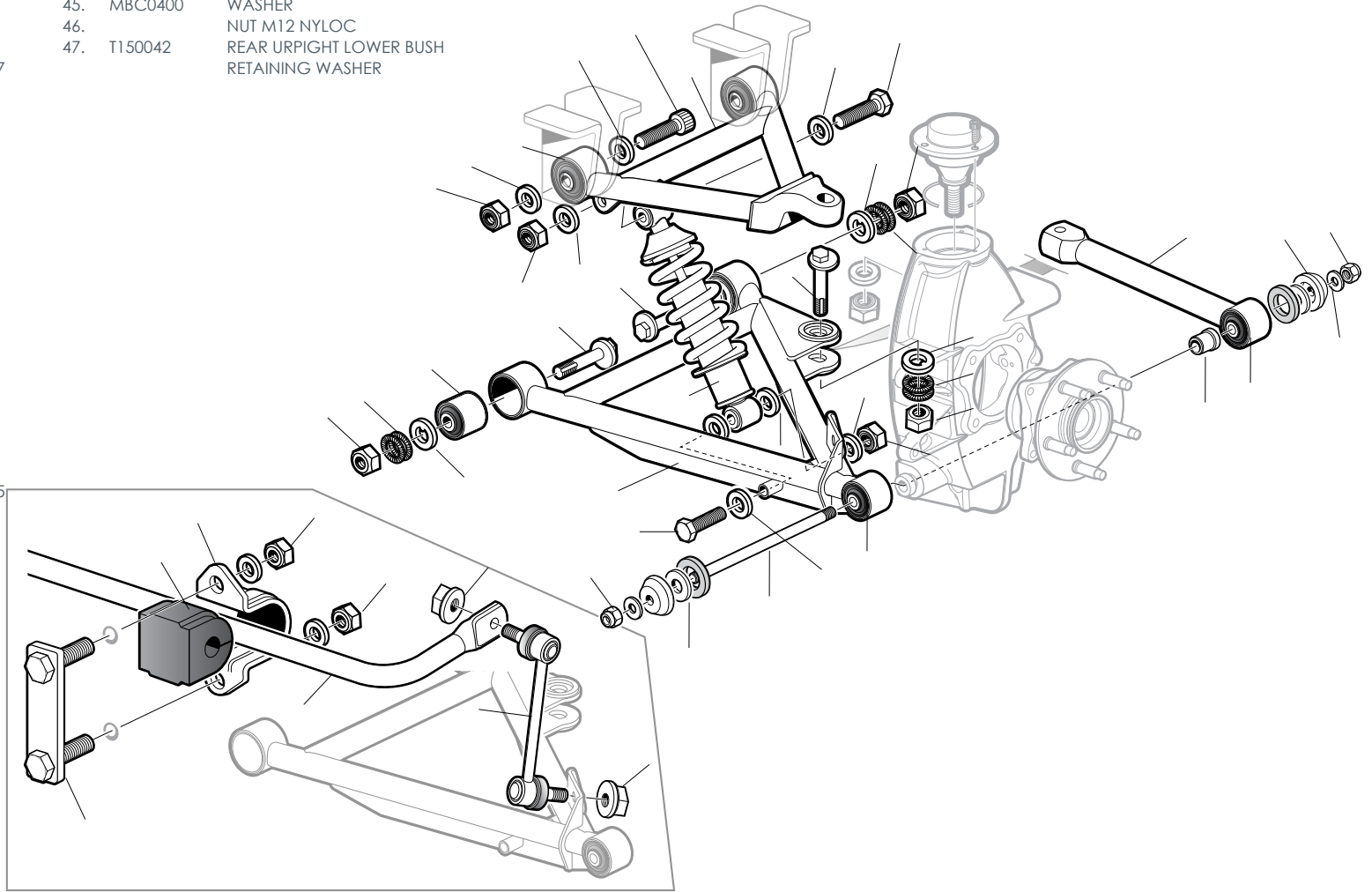


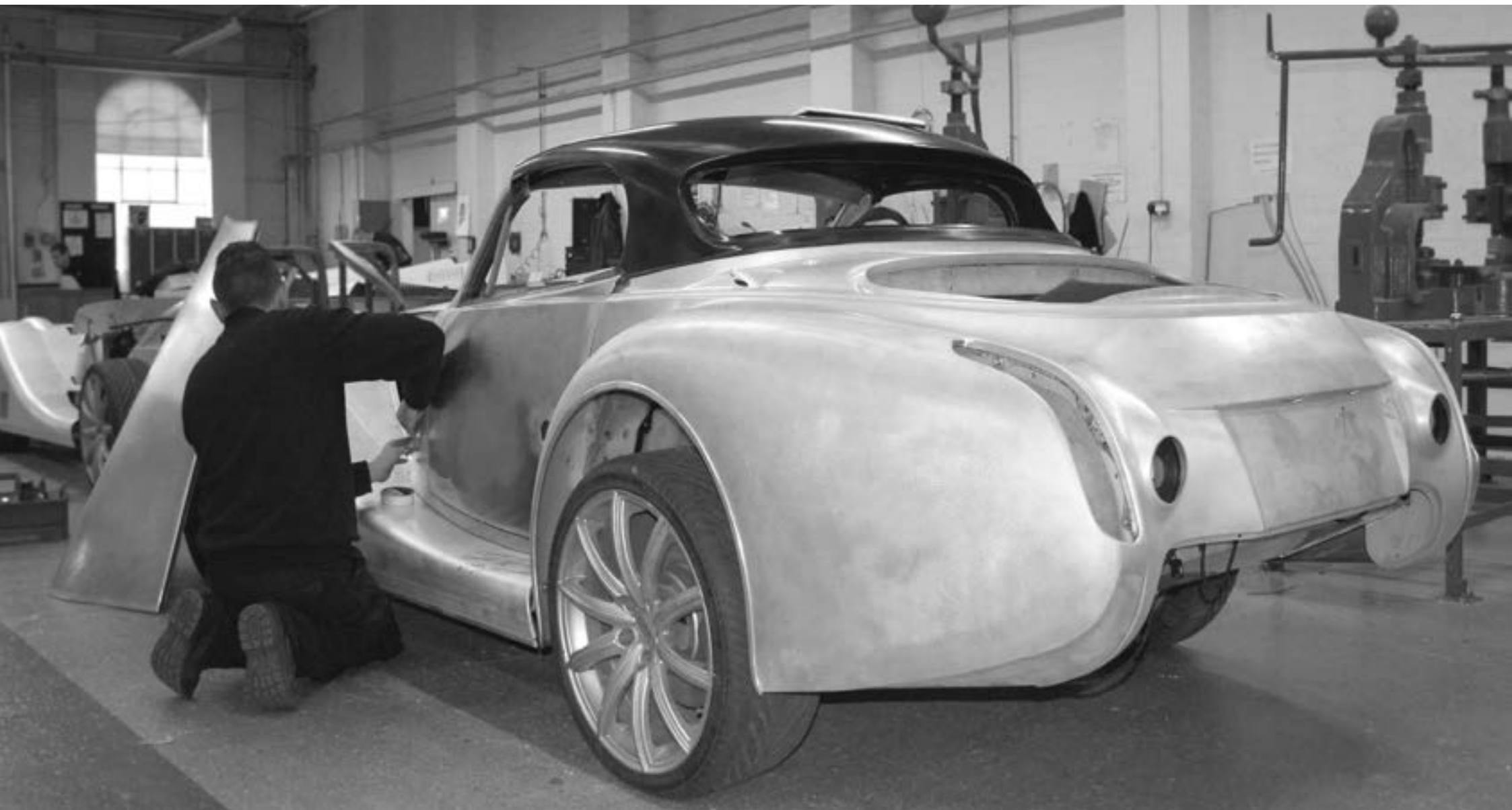
Rear Wishbone Assembly



Rear Wishbone Assembly

- | | | | | |
|-----|----------|--|-----|------------------------------------|
| 1. | A170008 | LOWER REAR WISHBONE LH | 42. | NUT 'K' M10 8/00- |
| | A170018 | LOWER REAR WISHBONE RH | 43. | WASHER 1" X 29/64" X 1/8" |
| 2. | U150008 | SUSPENSION BUSH 49.3 X 44.2 | 44. | WASHER 1.3/8x33/64x1/16 - 1/2"HOLE |
| 3. | F060005 | M12 NORD LOCK WASHER | 45. | MBC0400 |
| 4. | F060006 | M12 PLAIN NUT | 46. | WASHER |
| 5. | T150026 | ECCENTRIC WASHER | 47. | T150042 |
| 6. | A150019 | WELDED ECCENTRIC BOLT M12 X 87 | | REAR URPIGHT LOWER BUSH |
| 7. | MGN0255 | NUT M12 NYLOC | | RETAINING WASHER |
| 8. | MGW0035 | WASHER FLAT 1/2 | | |
| 9. | MGN0255 | NUT M12 NYLOC | | |
| 10. | MGW0035 | WASHER FLAT 1/2 | | |
| 11. | U150008 | SUSPENSION BUSH 49.3 X 44.2 | | |
| 12. | MGS06244 | SOCKET CAP HD M12x80 | | |
| 13. | MGW0035 | WASHER FLAT 1/2 | | |
| 14. | A170003 | REAR UPPER WISHBONE ASSY. LH | | |
| | A170019 | REAR UPPER WISHBONE ASSY. RH | | |
| 15. | MGW0035 | WASHER FLAT 1/2 | | |
| 16. | MGB0099 | BOLT M12 X 75 HEX HD | | |
| 17. | T150026 | ECCENTRIC WASHER | | |
| 18. | F060005 | M12 NORD LOCK WASHER | | |
| 19. | F060006 | M12 PLAIN NUT | | |
| 20. | A170009 | TRACK CONTROL ARM | | |
| 21. | MGN0255 | NUT M12 NYLOC | | |
| 22. | MGW0035 | WASHER FLAT 1/2 | | |
| 23. | U150006 | SUSPENSION BUSH DIA. 35MM | | |
| 24. | T170028 | REAR UPRIGHT SPINDLE COLLAR | | |
| 25. | A150020 | WELDED ECCENTRIC BOLT M12 X 65 | | |
| 26. | U150006 | SUSPENSION BUSH DIA. 35MM | | |
| 27. | T170029 | WISHBONE SPINDLE | | |
| 28. | MGN0255 | NUT M12 NYLOC | | |
| 29. | T150042 | RETAINING WASHER | | |
| 30. | MGS06247 | SCREW SOCKET CAP HD M12 X 160 DACROMET | | |
| 31. | A170020 | CAPTIVE BOLT MOUNTING | | |
| 32. | Y150004 | REAR ANTI ROLL BAR BUSH | | |
| 33. | Y170003 | REAR ARB MTG BKT | | |
| 34. | S160003 | ANTI ROLL BAR | | |
| 35. | F170005 | FLANGED M12 X 1.5 STOVE NUT | | |
| 37. | Y170002 | REAR SUSPENSION ARB LINK ROD LHS | | |
| | Y170001 | REAR SUSPENSION ARB LINK ROD RHS | | |
| 38. | F170005 | FLANGED M12 X 1.5 STOVE NUT | | |
| 40. | U170018 | REAR COIL OVER | | |
| 41. | MGN0255 | NUT M12 NYLOC | | |
| | MBC0400 | BUMPER TUBE DISTANCE PIECE 1/8 | | |

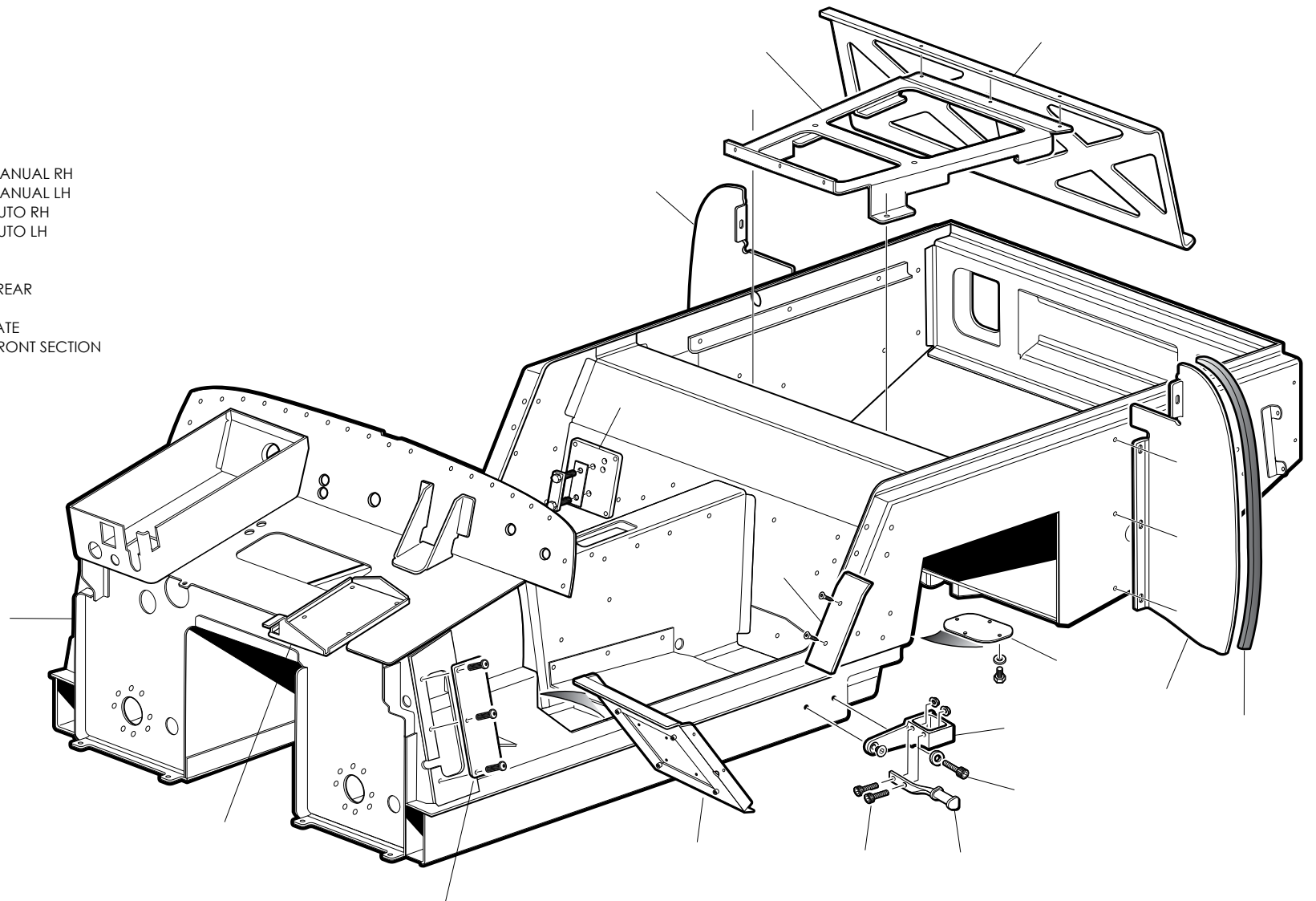




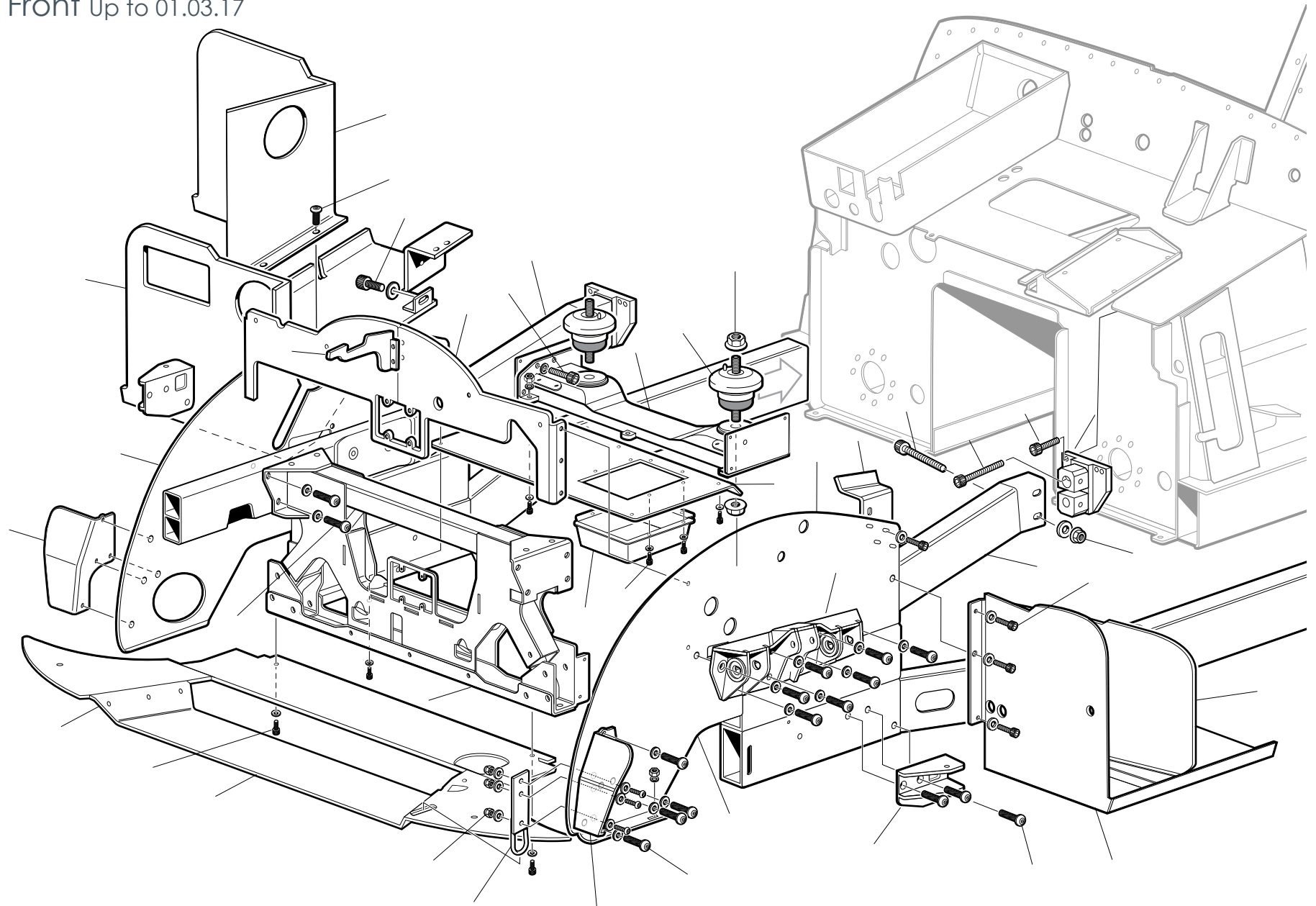
BODY

Chassis - Tub

- | | | |
|-----|----------|--|
| 1. | A060101 | TUB AUTOMATIC |
| | A060103 | TUB MANUAL |
| 2. | D060064 | REAR PANEL RH |
| 3. | B060100 | BOOT FLOOR SUPPORT |
| 4. | MCM43510 | BODY PANEL RUBBER |
| 5. | D060063 | REAR PANEL LH |
| 6. | P090098 | FLOOR ACCESS PLATE |
| 7. | MXC00961 | EXHAUST BRACKET RH |
| | MXC00951 | EXHAUST BRACKET LH |
| 8. | MXC00200 | EXHAUST BRACKET |
| 9. | | SCREW |
| 10. | | SCREW |
| 11. | A430265 | PASSENGER FOOTREST MANUAL RH |
| | A430264 | PASSENGER FOOTREST MANUAL LH |
| | A430268 | PASSENGER FOOTREST AUTO RH |
| | A430267 | PASSENGER FOOTREST AUTO LH |
| 12. | P090092 | COVER PANEL |
| 13. | XCF00060 | BATTERY TRAY N62 |
| 14. | RUP90120 | A/MAX CLOSING PLATE REAR
OF SILLBOARD |
| 15. | D060075 | ARB STRENGTHENING PLATE |
| 16. | B060130 | BOOT FLOOR SUPPORT FRONT SECTION |



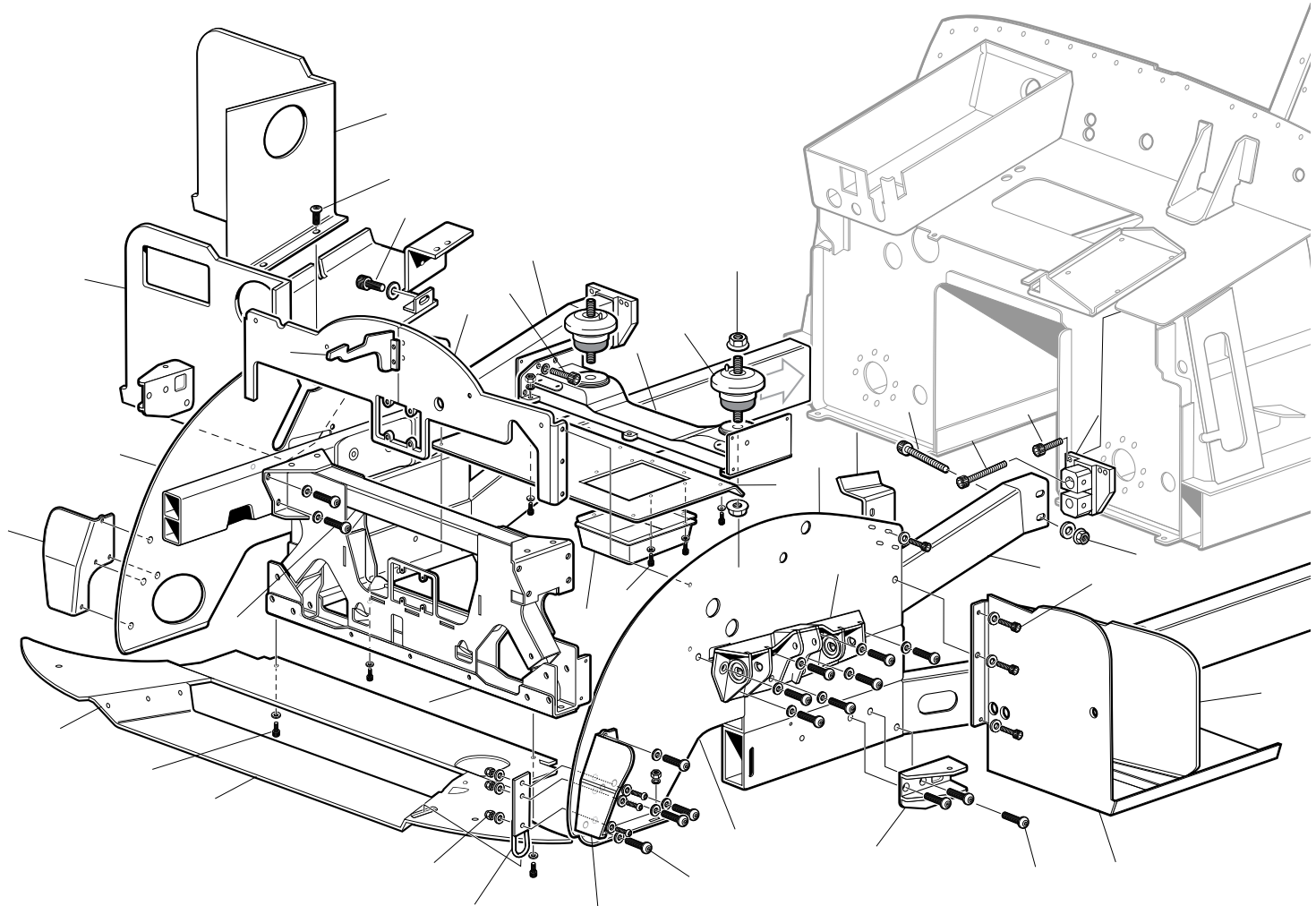
Chassis - Front up to 01.03.17



Chassis - Front

Up to 01.03.17

- | | | | | | | | | | | | |
|-----|-----------|--|-----|--|---|---------|------------|--|----------|-----------------|---------------------|
| 1. | P060132 | RADIATOR UNDER TRAY | 28. | BOLT SET M6 X 20 TENSILOCK
FLANGED GEOMET | 33. | MCF0077 | TOWING EYE | 37. | MSM21028 | BONNET CATCH LH | |
| 2. | B090015 | CRASH BEAM PAD RH | 29. | P060066 | STEERING PUMP COVER PANEL | 34. | | NUT NYLOC M8 | 38. | MSM21029 | BONNET CATCH RH |
| 3. | P060128 | ENGINE BAY OUTER PANEL RH | 30. | A060089 | FRONT CROSS MEMBER UPPER | 35. | MCF007315 | OIL COOLER UNDER TRAY | 39. | P060131 | COWL SUPPORT BKT |
| 4. | MGS06348 | SCREW BUTTON HD
M12 X 100 DACROMET | 31. | MGS06328 | SCREW SOCKET BUTTON M8 X 25
WASHER FLAT 5/16 | 36. | | SCREW SOCKET BUTTON
M6 X 20 DACROMET
WASHER FLAT 6MM | 40. | P060127 | ENGINE BAY OUTER LH |
| 5. | P060163 | FRONT WHEEL BOX RH | 32. | B090014 | CRASH BEAM PAD LH | | | | | | |
| 6. | MCM43398 | WING FRONT INNER DIVIDER
PLATE RH | | | | | | | | | |
| 7. | | SCREW SOCKET BUTTON
M6 X 15 DACROMET
WASHER FLAT 6MM
NUT 'K' M6 | | | | | | | | | |
| 8. | | SCREW SOCKET CAP HD
M10 X 35 DACROMET
WASHER FLAT M10 DACROMET | | | | | | | | | |
| 9. | B060105 | BULKHEAD UPPER FRONT PANEL | | | | | | | | | |
| 10. | | SCREW SOCKET CAP HD
M10 X 35 DACROMET
WASHER
NUT M12 NYLOC | | | | | | | | | |
| | MBC0400 | CHASSIS LEG RH | | | | | | | | | |
| 11. | A060098 | ENGINE MOUNTING MEMBER | | | | | | | | | |
| 12. | MCF007224 | ENGINE MOUNTING RUBBER | | | | | | | | | |
| 13. | MEC1505 | NUT 'K' M10 | | | | | | | | | |
| 14. | | SCREW SOCKET CAP HD
M10 X 65 DACROMET | | | | | | | | | |
| 15. | | SCREW SOCKET BUTTON
M6 X 20 DACROMET
WASHER FLAT 6MM
NUT 'K' M6 | | | | | | | | | |
| 16. | | SCREW SOCKET BUTTON
M6 X 15 DACROMET | | | | | | | | | |
| 17. | | TOP CRUSH TUBE MOUNTING | | | | | | | | | |
| 18. | T090031 | SCREW SOCKET BUTTON
M6 X 20 DACROMET
WASHER FLAT 6MM | | | | | | | | | |
| 19. | | SCREW SOCKET CAP HD
M10 X 25 DACROMET
WASHER FLAT M10 DACROMET | | | | | | | | | |
| 20. | | CHASSIS LEG LH | | | | | | | | | |
| 21. | A060097 | WING FRONT INNER DIVIDER
PLATE LH | | | | | | | | | |
| 22. | MCM43392 | AERO8 FRONT WHEEL BOX LH | | | | | | | | | |
| 23. | P060162 | SCREW CSK M8 X 30 | | | | | | | | | |
| 24. | T160046 | RADIUS ROD MOUNTING LH | | | | | | | | | |
| 25. | T160047 | RADIUS ROD MOUNTING RH | | | | | | | | | |
| 26. | A160030 | TOP FRONT SUSPENSION MTG LH | | | | | | | | | |
| | A160031 | TOP FRONT SUSPENSION MTG RH | | | | | | | | | |
| 27. | MGS06302 | SCREW SOCKET BUTTON
M6 X 15 DACROMET | | | | | | | | | |
| | MGS06320 | SCREW BUTTON
M8 X 20 DACROMET | | | | | | | | | |

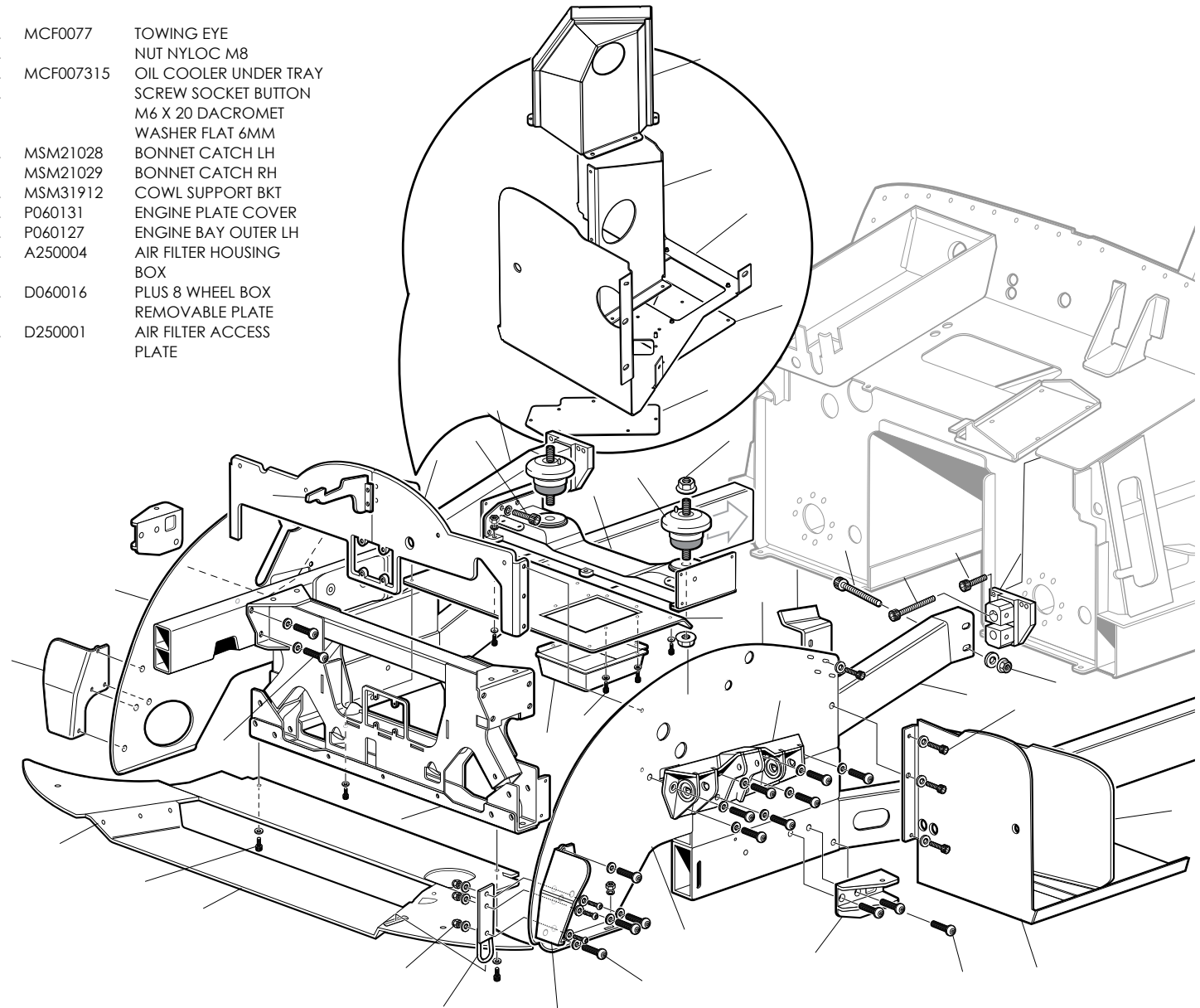


Chassis - Front

From February 2017

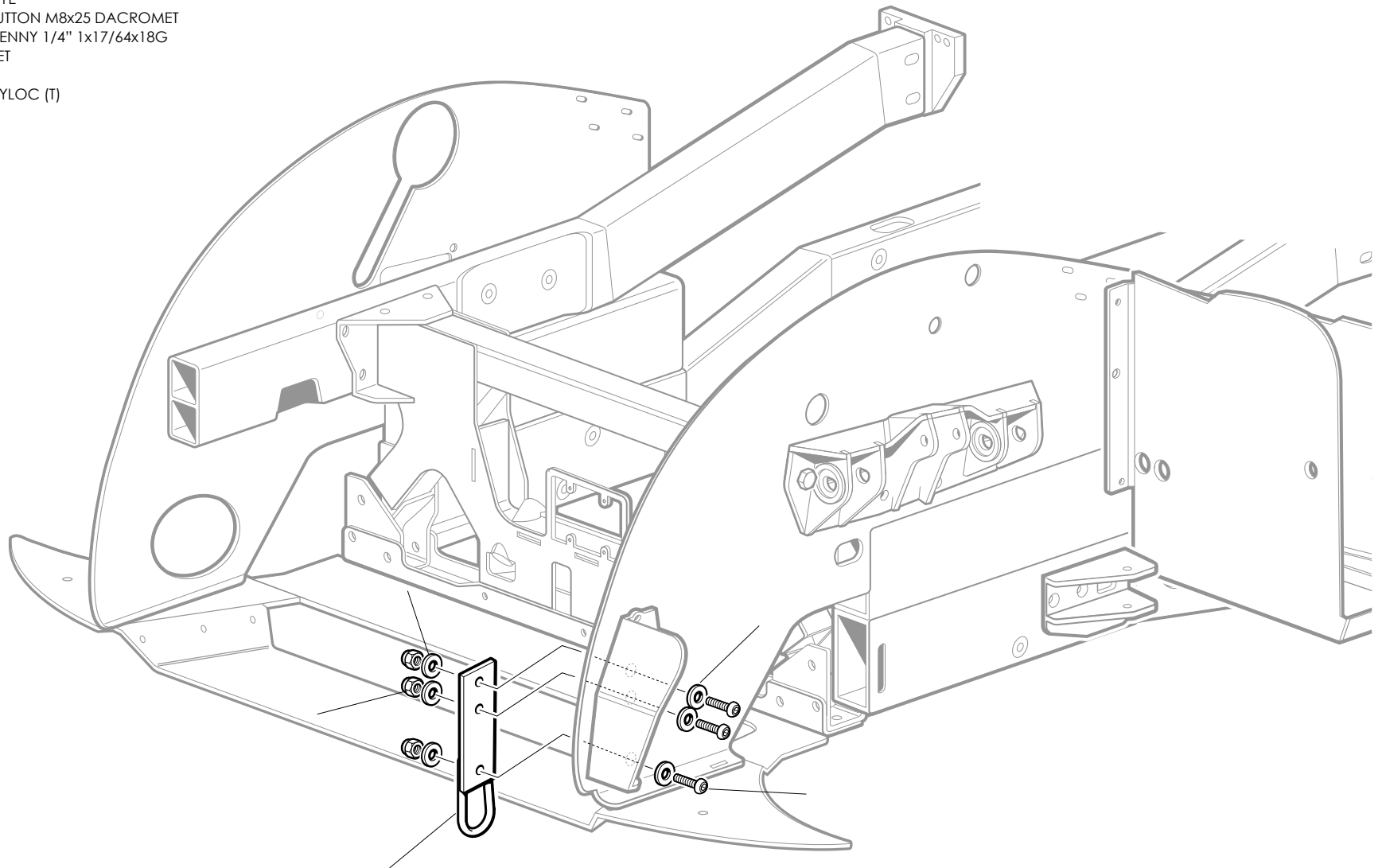
- 1. P060132 RADIATOR UNDER TRAY
- 2. B090015 CRASH BEAM PAD RH
- 3. P060128 ENGINE BAY OUTER PANEL RH
- 4. M12 X 100 DACROMET
- 5. P060163 FRONT WHEEL BOX RH
- 6. MCM43398 WING FRONT INNER DIVIDER PLATE RH
- 9. B060105 BULKHEAD UPPER FRONT PANEL
- 10. SCREW SOCKET CAP HD M10 X 35 DACROMET WASHER NUT M12 NYLOC
- 11. A060098 CHASSIS LEG RH
- 12. MCF007224 ENGINE MOUNTING MEMBER
- 13. MEC1505 ENGINE MOUNTING RUBBER
- 14. NUT 'K' M10
- 15. SCREW SOCKET CAP HD M10 X 65 DACROMET
- 16. SCREW SOCKET BUTTON M6 X 20 DACROMET WASHER FLAT 6MM NUT 'K' M6
- 17. MGS06302 SCREW SOCKET BUTTON M6 X 15 DACROMET
- 18. T090031 TOP CRUSH TUBE MOUNTING
- 19. MGS06304 S CREW SOCKET BUTTON M6 X 20 DACROMET WASHER FLAT 6MM
- 20. SCREW SOCKET CAP HD M10 X 25 DACROMET WASHER FLAT M10 DACROMET
- 21. A060097 CHASSIS LEG LH
- 22. MCM43392 WING FRONT INNER DIVIDER PLATE LH
- 23. P060162 AERO8 FRONT WHEEL BOX LH
- 24. SCREW CSK M8 X 30
- 25. T160046 RADIUS ROD MOUNTING LH
- 25. T160047 RADIUS ROD MOUNTING RH
- 26. A160030 TOP FRONT SUSPENSION MTG LH
- 26. A160031 TOP FRONT SUSPENSION MTG RH
- 27. SCREW SOCKET BUTTON M6 X 15 DACROMET SCREW BUTTON M8 X 20 DACROMET
- 28. BOLT SET M6 X 20 TENSILOCK FLANGED GEOMET
- 29. P060066 STEERING PUMP COVER PANEL
- 30. A060089 FRONT CROSS MEMBER UPPER
- 31. SCREW SOCKET BUTTON M8 X 25 WASHER FLAT 5/16
- 32. B090014 CRASH BEAM PAD LH

- 33. MCF0077 TOWING EYE
- 34. NUT NYLOC M8
- 35. MCF007315 OIL COOLER UNDER TRAY
- 36. SCREW SOCKET BUTTON M6 X 20 DACROMET WASHER FLAT 6MM
- 37. MSM21028 BONNET CATCH LH
- 37. MSM21029 BONNET CATCH RH
- 38. MSM31912 COWL SUPPORT BKT
- 39. P060131 ENGINE PLATE COVER
- 40. P060127 ENGINE BAY OUTER LH
- 41. A250004 AIR FILTER HOUSING BOX
- 42. D060016 PLUS 8 WHEEL BOX REMOVABLE PLATE
- 43. D250001 AIR FILTER ACCESS PLATE



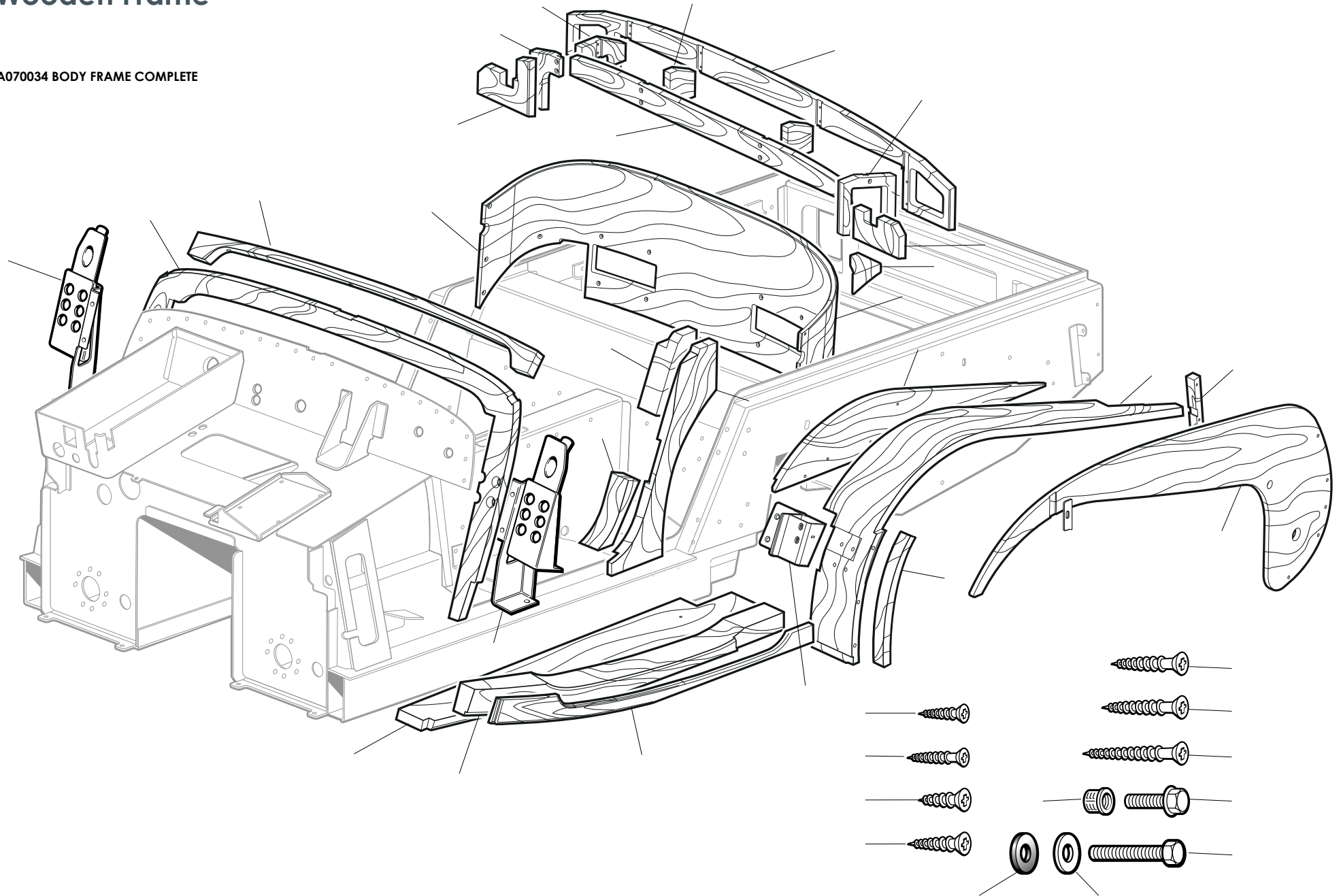
Chassis - Towing Point

1. MCF0077 TOWING EYE
2. MGS06328 SOCKET BUTTON M8x25 DACROMET
3. MGW0106 WASHER PENNY 1/4" 1x17/64x18G DACROMET
4. MSB0075 WASHER
5. MGN0095 NUT M8 NYLOC (T)



Wooden Frame

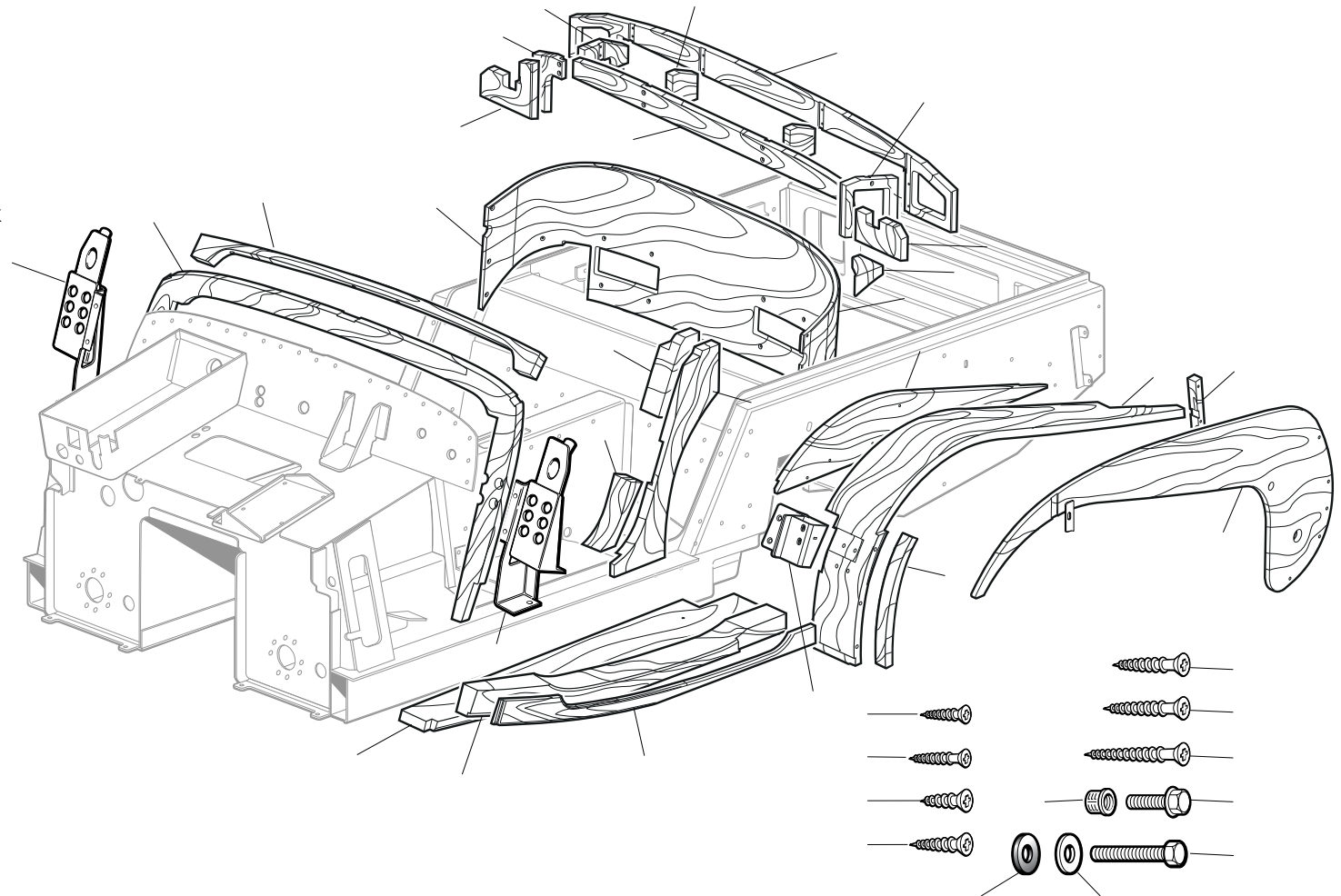
A070034 BODY FRAME COMPLETE



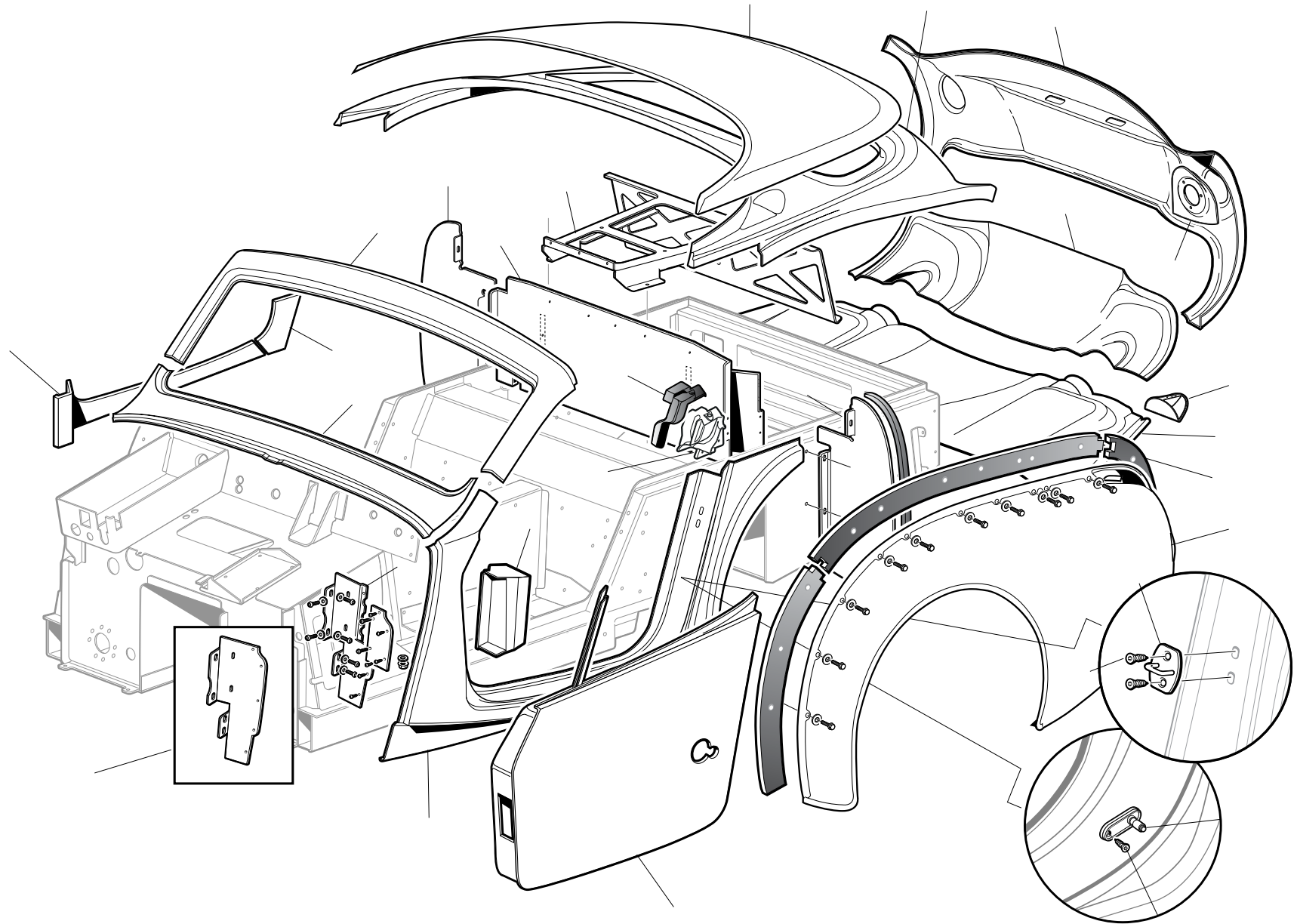
Wooden Frame

A070034 BODY FRAME COMPLETE

1. MBW99071 DASHBOARD BULKHEAD
2. MBW19148 HINGE REINFORCEMENT RH
3. MBW19147 HINGE REINFORCEMENT LH
4. MBW99091 SCUTTLE
5. T070078 COCKPIT REAR BULKHEAD
6. T070087 SIDE FIXING RAIL RH
7. T070088 SIDE FIXING RAIL EXTENSION
8. T070089 SIDE RAIL FIXING SPAR RH
9. T070086 REAR BULKHEAD SUPPORT SPAR
10. D070031 X MEMBER REAR AXLE SUPPORT
11. D070033 OUTSIDE RIB REAR PANEL SUPPORT
12. B070029 SIDE FIXING RAIL LH
13. B070097 COCKPIT REAR BULKHEAD SUPPORT BLOCK
14. D070013 INNER WHEEL ARCH SIDE LH
14. D070025 INNER WHEEL ARCH SIDE RH
15. P070067 WHEEL ARCH TOP LH
15. D070015 WHEEL ARCH TOP RH
16. B070028 OUTER WHEEL ARCH BRACING PIECE LH
16. B070020 OUTER WHEEL ARCH BRACING PIECE RH
17. P070066 OUTER WHEEL ARCH SIDE LH
17. P070014 OUTER WHEEL ARCH SIDE RH
18. P070090 WHEEL ARCH DOUBLER
19. A070040 LATCH MOUNTING BRACKET LH
19. A070041 LATCH MOUNTING BRACKET RH
20. B070050 ELBOW RAIL LH
20. B070051 ELBOW RAIL RH
21. B070052 ELBOW RAIL UPPER BLOCK LH
21. B070053 ELBOW RAIL UPPER BLOCK RH
22. B070034 ELBOW RAIL LOWER BLOCK LH
22. D070024 ELBOW RAIL LOWER BLOCK RH
23. MBW99015 SILL BOARD LH
23. MBW99016 SILLBOARD RH
24. MBW99025 DOOR ROCKER LH
24. MBW99026 DOOR ROCKER RH
25. MBW99025X DOOR ROCKER OUTER
26. SCREW STYLUS POZI CSK 5 X 45
27. SCREW STYLUS POZI CSK 5 X 40
28. SCREW STYLUS POZI CSK 5 X 30
29. SCREW STYLUS POZI CSK 5 X 25
30. SCREW STYLUS POZI CSK 4 X 16
31. SCREW STYLUS POZI CSK 4 X 20
32. SCREW STYLUS POZI CSK 4 X 30
33. BOLT SET M6 X 16
34. BOLT SET M6 X25 HEX
35. WASHER PENNY 1/4"
36. WASHER PENNY 1/4"
37. INSERT WOOD M6 X 13
38. T070085 REAR BULKHEAD X MEMBER
39. T070097 COCKPIT REAR SUPPORT BLOCK LH
39. T070098 COCKPIT REAR SUPPORT BLOCK RH

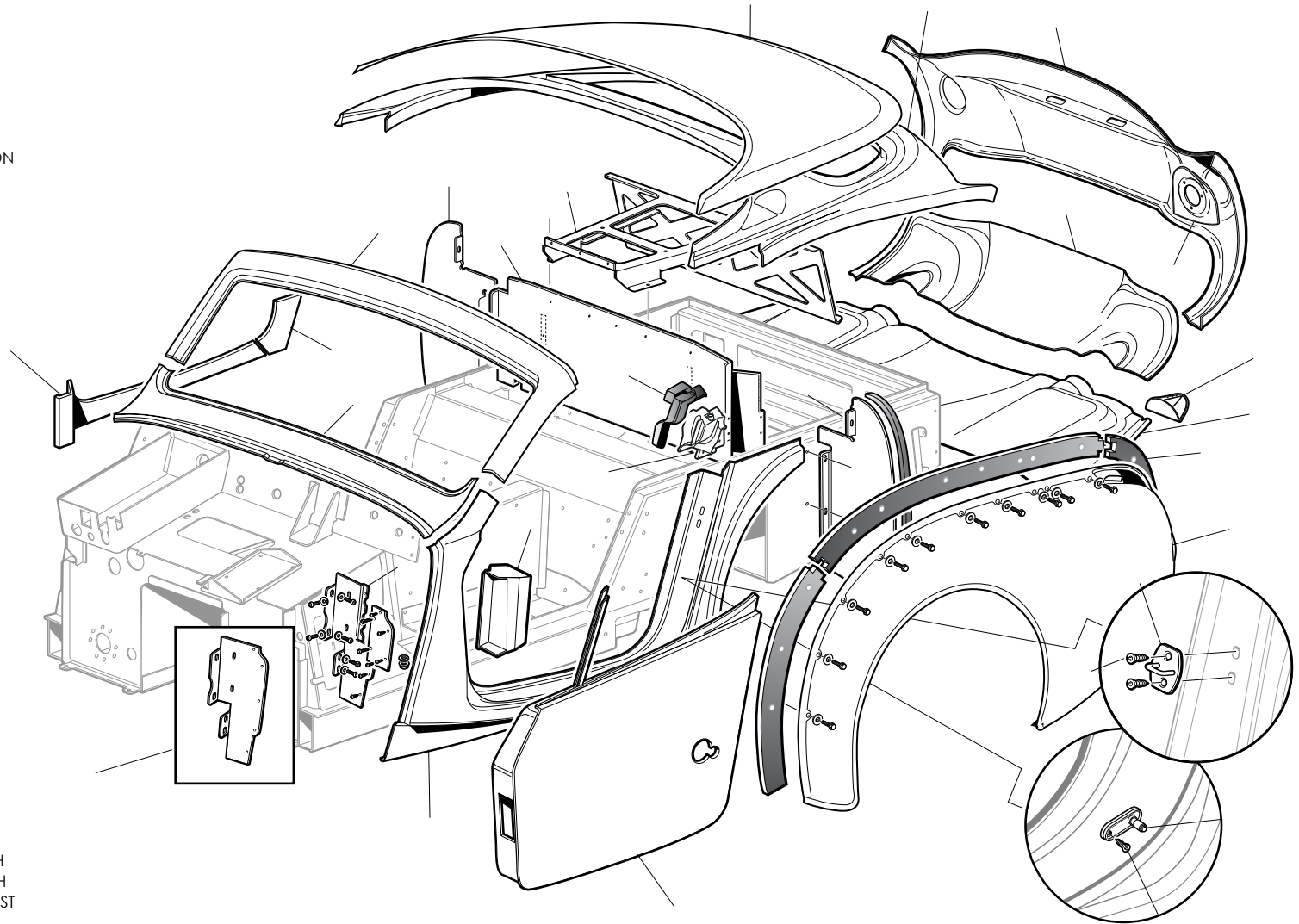


Sheet Metal

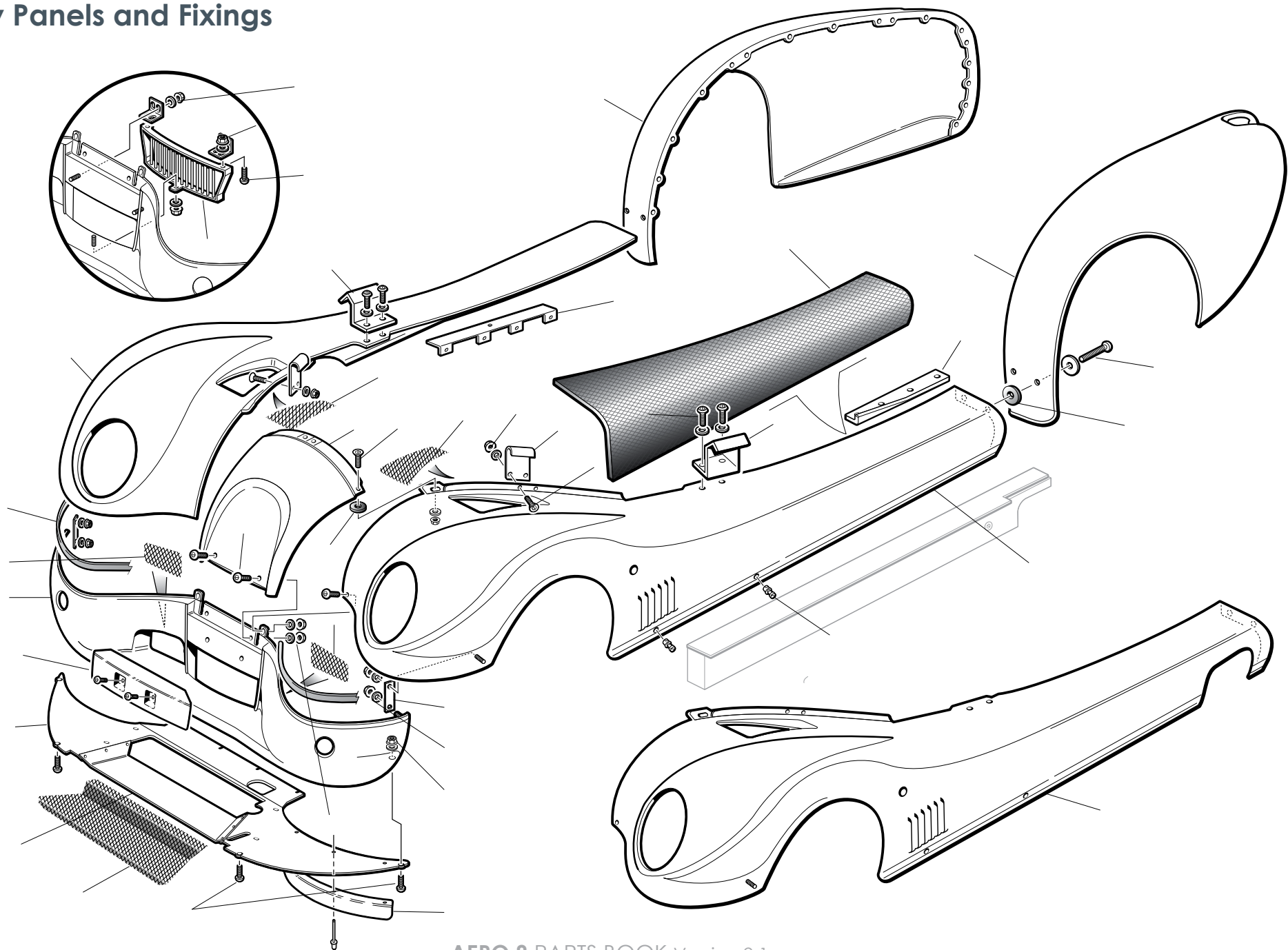


Sheet Metal

- 1. MSM17039 SKUTTLE PANEL
- 2. RUP90049 LOWER CENTRE TRIM PANEL LH
- RUP90050 LOWER CENTRE TRIM PANEL RH
- 3. TBC
- 4. P090257 WINDSCREEN SURROUND PANEL
- 5. D060064 EAR WHEEL BOX CLOSING PLATE RH
- 6. B090101 REAR BULKHEAD UPPER
- 7. B060100 BOOT FLOOR SUPPORT
- B060130 BOOT FLOOR SUPPORT FRONT SECTION
- 8. P090197 BOOT LID ASSY.
- 9. P090199 REAR PANEL UPPER
- 10. P090200 REAR PANEL LOWER
- 11. P090203 STANDARD REAR DIFFUSER
- P090322 REAR EXIT GLOSS BLACK DIFFUSER
- 12. P090243 REAR UNDERTRAY
- 13. MSM20600 SEAL
- 14. P090241 REAR WING LH
- P090242 REAR WING RH
- 15. MBW61673 STRIKER RH
- MBW61672 STRIKER LH
- 16. MGS05318 SCREW CSK S/S M6x16 SOCKET HEAD POLISHED
- 17. MDE1720 INTERIOR LIGHT SWITCH
- 18. SELF TAPPER 8 X 5/8 STAINLESS STEEL
- 19. D060063 REAR WHEEL BOX CLOSING PLATE LH
- MCM43510 BODY PANEL RUBBER
- 20. T070076 B-PILLAR TOP LH
- T070077 B-PILLAR TOP RH
- 21. K370022 SEAL B-PILLAR LH
- K370023 SEAL B-PILLAR RH
- 22. NSS PART OF ITEM 26
- 23. MSM19904 DOOR ASSEMBLY LH
- MSM19905 DOOR ASSEMBLY RH
- MUP59954 DOOR SEAL RH
- MUP59953 DOOR SEAL LH
- 24. P090245 SIDE PANEL RH
- P090244 SIDE PANEL LH
- 25. MBW122437 TUB FILLER PLATE
- SOCKET BUTTON M6x25 DACROMET
- WASHER FLAT 6mm
- 26. MBW122434 CLOSING PLATE RH
- MBW122433 CLOSING PLATE LH
- 27. M090005 REFLECTOR AND LAMP MOUNTING LH
- M090006 REFLECTOR AND LAMP MOUNTING RH
- 28. P090337 REAR DIFFUSER INFILL SIDE EXIT EXHAUST



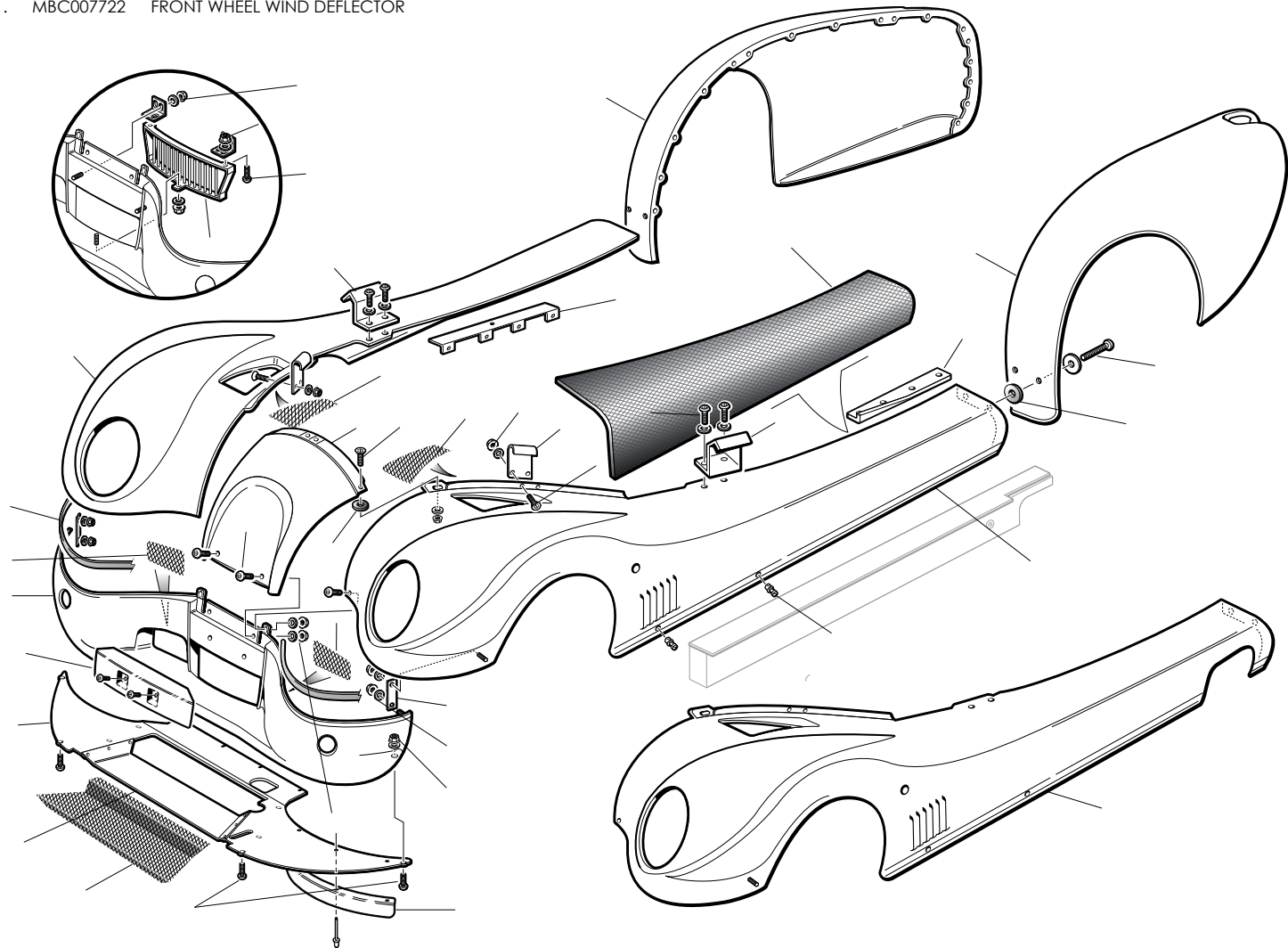
Body Panels and Fixings



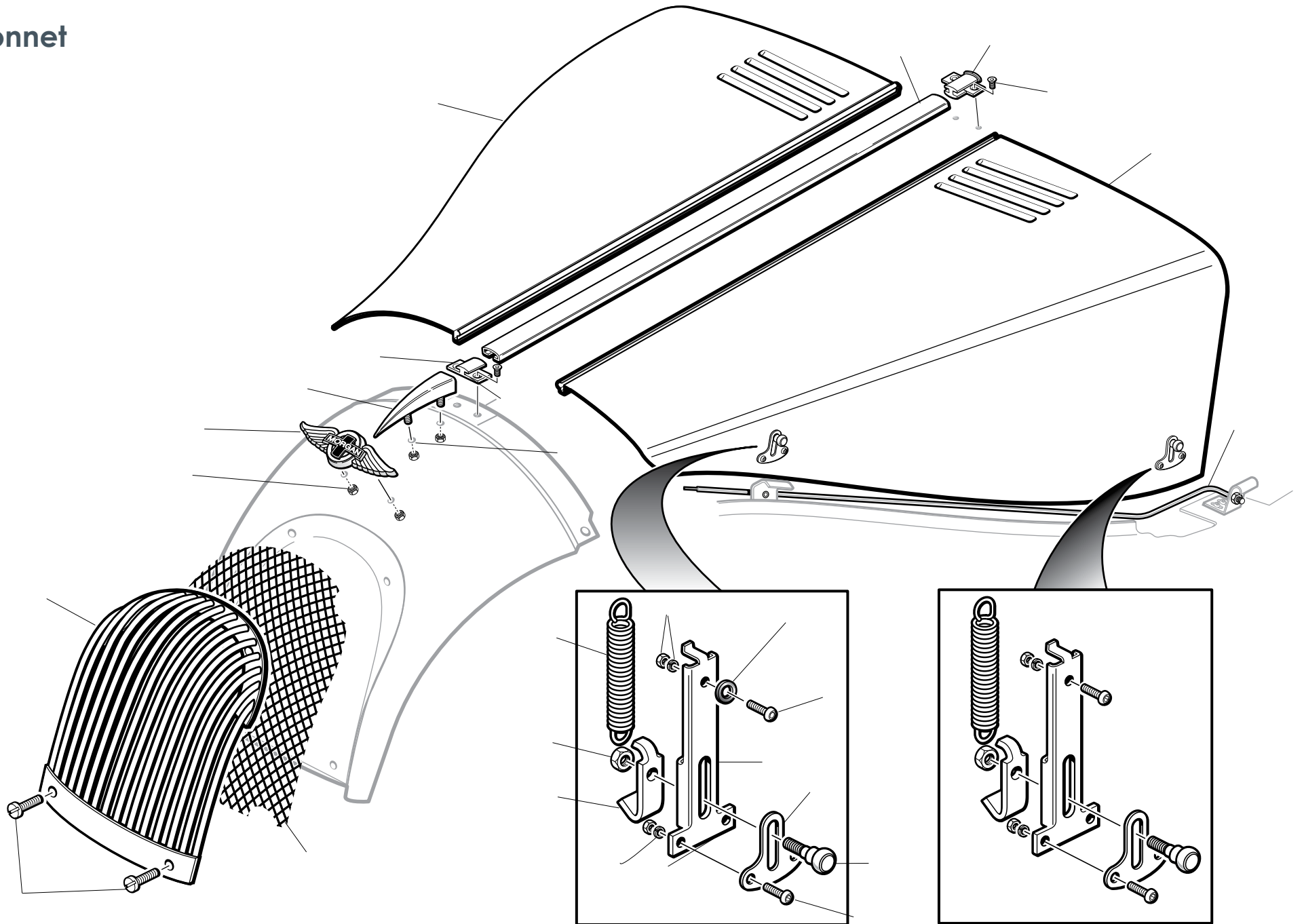
Body Panels and Fixings

- 1. MBC07721 LOWER SPLITTER MESH
MGR0063 RIVET
- 2. MCF007315 OIL COOLER UNDERTRAY
- 3. MCF007308 RADIATOR UNDER PANEL
- 4. MBC015810 NUMBER PLATE PANEL
- 5. MBC015803 FRONT SPLITTER
- 6. MBC07719 SPLITTER MESH RH
- 7. MCM43490 RUNNING BOARD/
SPLITTER EDGING RUBBER
FRONT WING RH
- 8. MSM17328 FRONT WING RH
- 9. MBC07705 LOWER RADIATOR GRILLE
- 10. MGS06301 SOCKET BUTTON M6x10 DACROMET
- 11. NUT FLANGED M6 SERRATED -DACROMET
- 12. WASHER FLAT 6mm DACROMET
NUT M6 FLANGED SERRATED -DACROMET
SCREW GRILLE FIXING 1/4x1 BSF
NUT 1/4 BSF
- 13. MGS0810 MGN0032
- 14. MSM17389 TOP INTAKE MESH RH
- 15. MSM31906 RADIATOR COWL
- 16. SCREW SOCKET CSK M6 X 15
- 17. SOCKET CSK M6x16
RUBBER WASHER
- 18. MBC07718 SPLITTER MESH LH
- 19. MSM17388 TOP INTAKE MESH LH
- 20. MSM22056 BONNET CATCH RH
- 21. NUT FLANGED M6 SERRATED -DACROMET
WASHER FLAT 6mm DACROMET
- 22. MSM21032 BONNET CATCH LH
- 23. SCREW SOCKET CSK M6 X 16
- 24. MCM43465 RUNNING BOARD FRONT HOLD UP BRACKET
- 25. P090242 REAR WING RH
- 26. REX1010 UNDER WING HEAT SHIELD
- 27. P090241 REAR WING LH
- 28. MSM2617 WING RETAINER LH
MSM2618 WING RETAINER RH
- 29. SOCKET BUTTON M6x55 DACROMET
- 30. WASHER PENNY 1/4" 1x17/64x18G DACROMET
- 31. MSM17308 FRONT WING LH
- 32. SIDE EXIT EXHAUST USE ITEM 8 & 31 AND CUT TO SUIT
- 33. SCREW CSK STAINLESS M6 X 30
RUBBER NUT M6
CUP WASHER M6
- 34. MSM22056 BONNET CATCH LH
- 35. SOCKET CSK M6x20 DACROMET FINISH
WASHER FLAT 6mm DACROMET
- 36. MBC015860 BRACKET

- 37. WASHER FLAT 6mm DACROMET
NUT FLANGED M6 SERRATED -DACROMET
- 38. MGW0250 WASHER
NUT 'K' M10
- 39. WASHER FLAT 6mm DACROMET
- 40. SCREW SOCKET BUTTON M6 X 20
- 41. MBC007722 FRONT WHEEL WIND DEFLECTOR



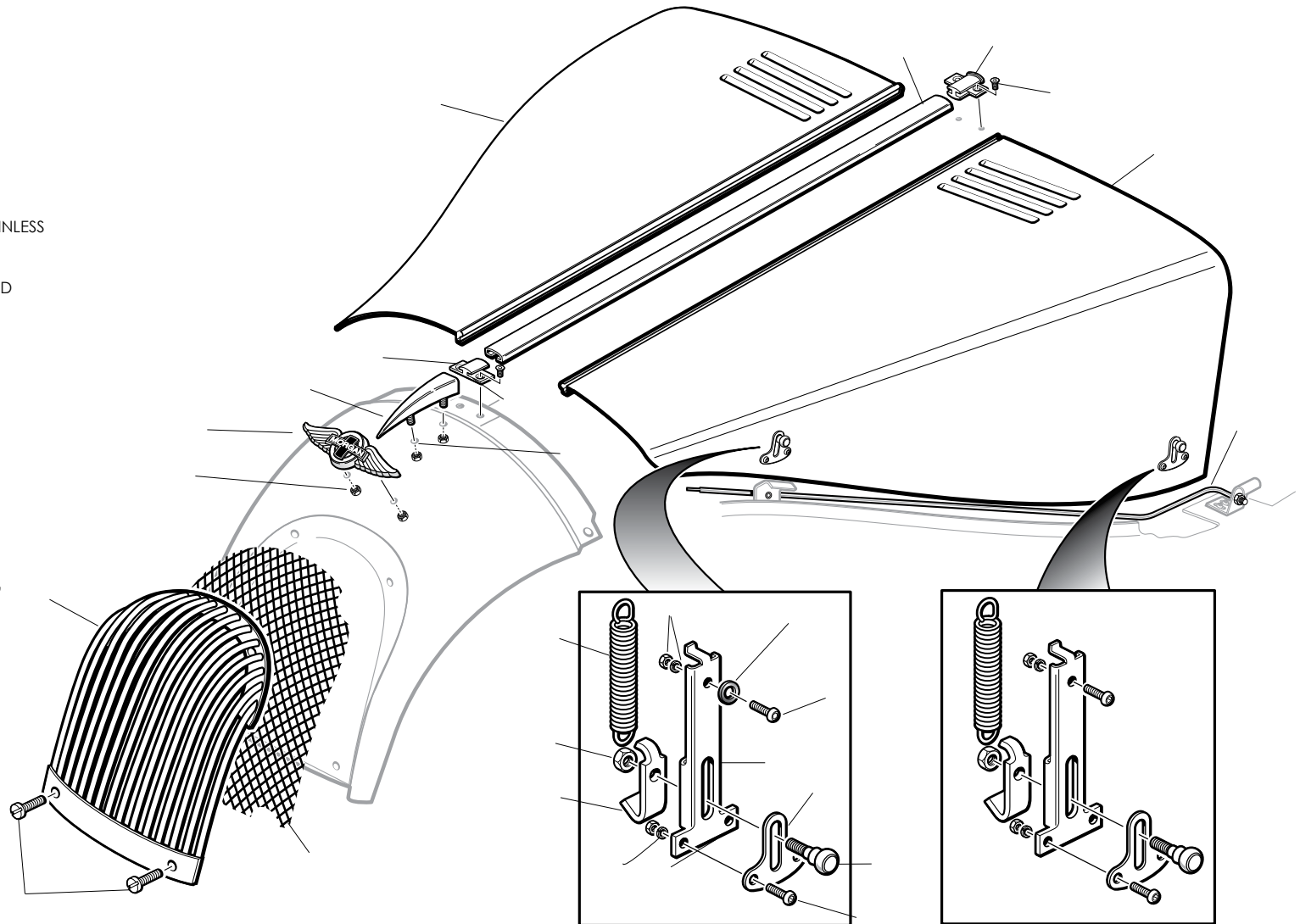
Bonnet



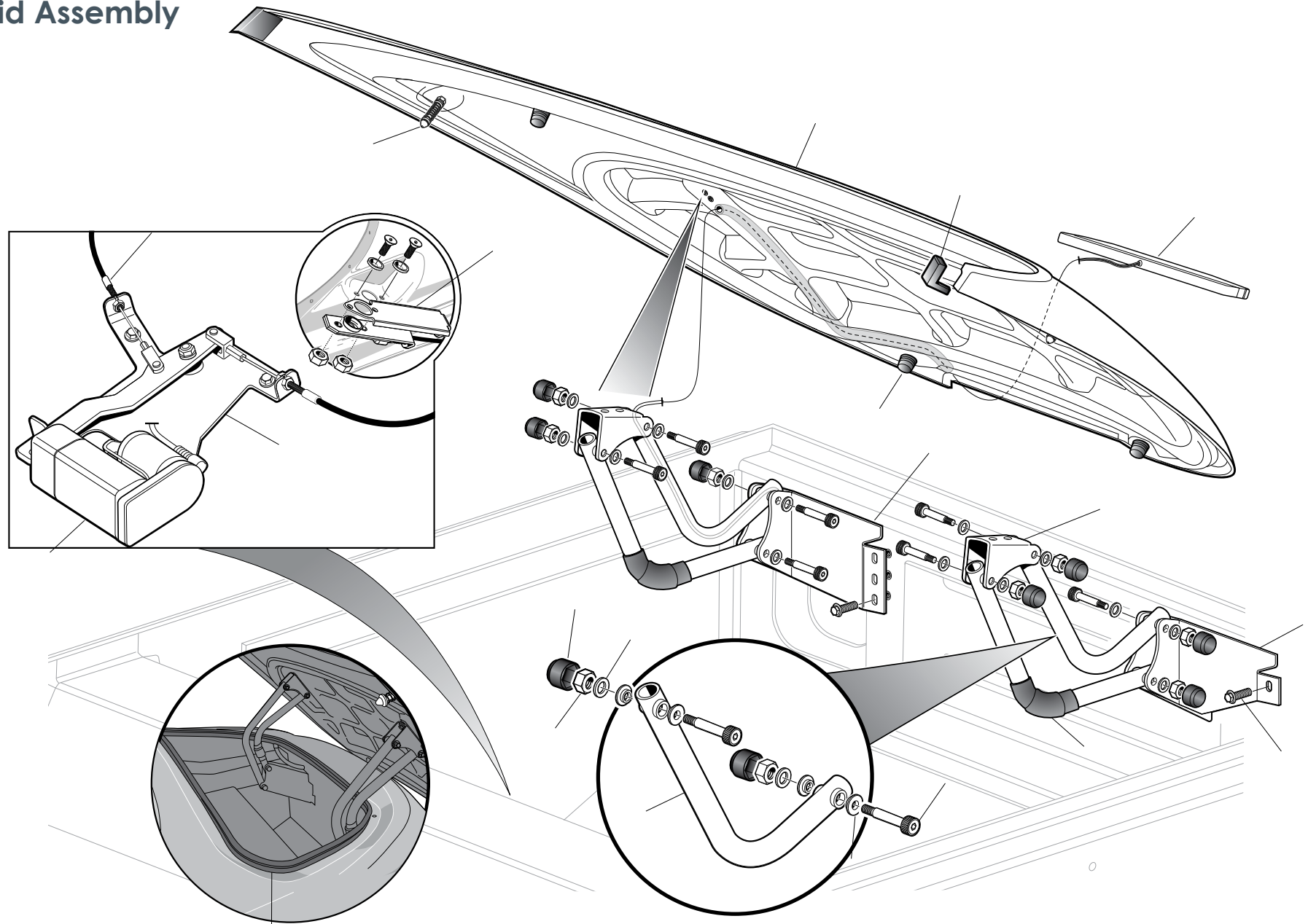
Bonnet

- 1. MSM69201 BONNET ASSY RH
- 2. MSM69200 BONNET ASSY LH
- MSM31950 BONNET TAPE
- MSM9780 BONNET HINGE
- 3. MSM9770 BONNET STRIP
- 4. MSM9750 BONNET END PIECE REAR
- 5. MGS0225 SCREW
- 6. MSM32500 BONNET END PIECE FRONT
- 7. SCREW M6 X 12 CSK POZI STAINLESS
WASHER SPRING M5 STEEL
NUT M5 HEX FULL STEEL
ZINC AND YELLOW PASSIVATED

- 8. MSM31920 COWL DART
- 9. MGN0013 NUT
- 10. MBC0886 BADGE WINGS
- 11. MGN0010 NUT
- MGW0305 WASHER SPRING
- 12. MBC07700 RADIATOR GRILLE
- 13. NSS PART OF ITEM 12
- 14. MGS00810 SCREW
- MGN0032 NUT
- 15. MBC1160 RELEASE BODY
- 16. MBC1180 SPRING RELEASE SLIDE
- 17. MBC1170 RELEASE SLIDE
- 18. SCREW 3/16x1/2 BSW
ROUND HD BRASS CHROME
WASHER RUBBER 1" OD X 1/4"
ID X 1/8 THICK
- 19. WASHER SPRING
- 20. MGW0305 WASHER SPRING
- MGN0020 NUT
- 21. MGN0032 NUT
- 22. MBC1120 BONNET KNOB SURROUND
- 23. MGS0802 SCREW
- 24. MBC1100 BONNET KNOB
- 25. T090041 BONNET STAY
- U400038 SPRING CLIP 1/4
- MGR0066 RIVET POP 3.2 x 11.55

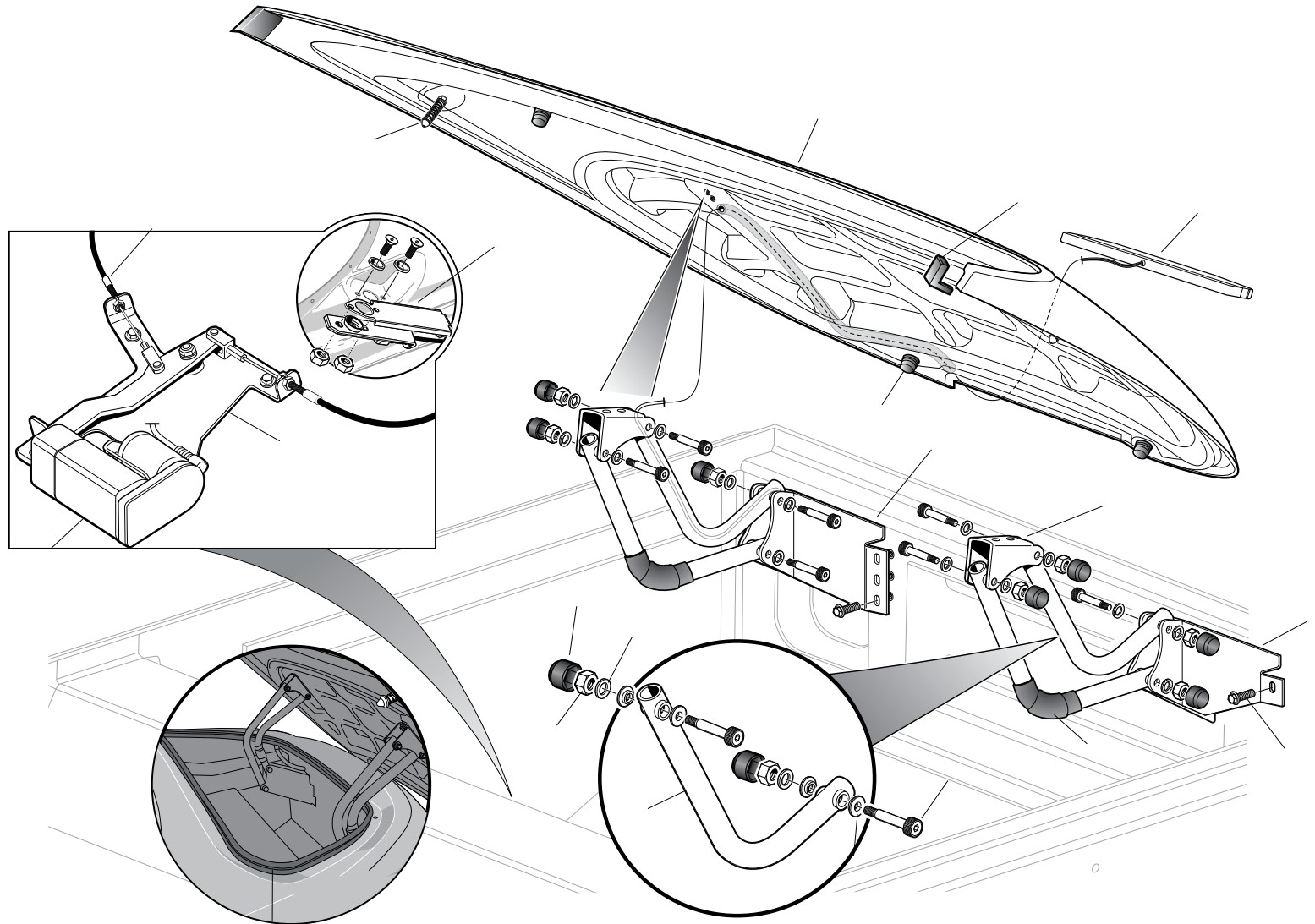


Boot Lid Assembly

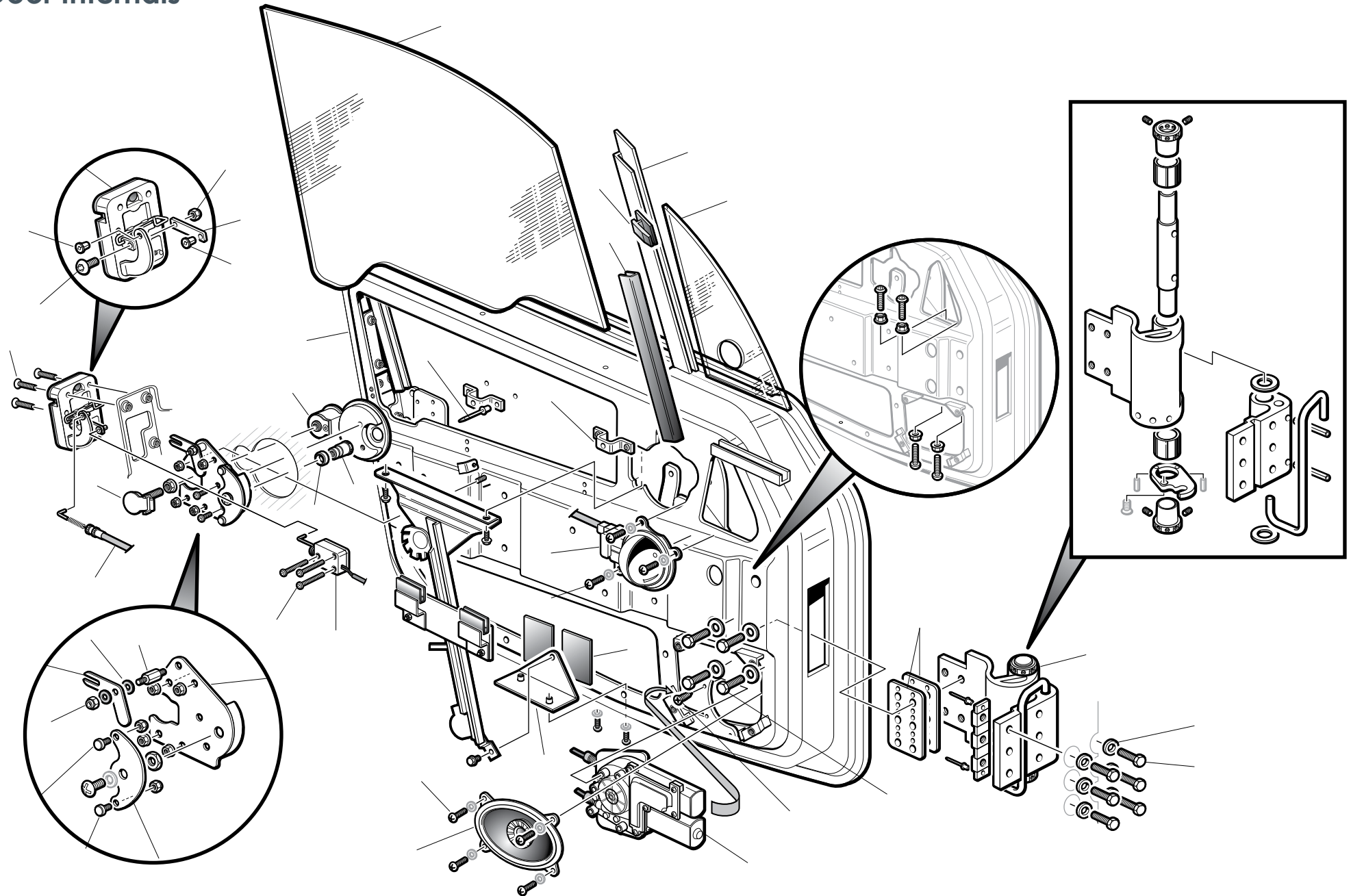


Boot Lid Assembly

- 1. P090197 BOOT LID
- 2. MLA0777 HI-LEVEL STOP LIGHT
- 3. A090073 BOOT HINGE BODY BRACKET ASSEMBLY LH
- 4. MGS1086 M6 x 16 SOCKET CSK SCREW
- 5. B090041 BOOT HINGE BRACKET
- 6. A090074 BOOT HINGE BODY BRACKET ASSEMBLY RH
- 7. U580001 BOOT BUMP STOP
- 8. MEH10178 SLEEVING HEATSHRINK
- 9. MFS0780 RUBBER TUBE
- 10. U540027 ISO 3739 SHOULDER SCREW 10-M8-45
- 11. U570002 FLANGED THRUST BEARING
- 12. A090109 UPPER ARM ASSEMBLY
- 13. M10 FLAT WASHER
- 14. MGB03851 5/16 HEAD BOLT COVER
- 15. M8 NYLOC NUT
- 16. K090006 BOOT SEAL
- 17. U340045 BOOT CATCH
- 18. IDM3 ACTUATOR
- 19. SOLENOID MTG PLATE ASSY
- 20. A090130 BOOT RELEASE CABLE
- 21. A090087 BOOT CATCH
- 22. RUP0270 CATCH ASSY MALE
- 23. M400024 LH BOOT END SEAL
- 24. M400025 RH BOOT END SEAL

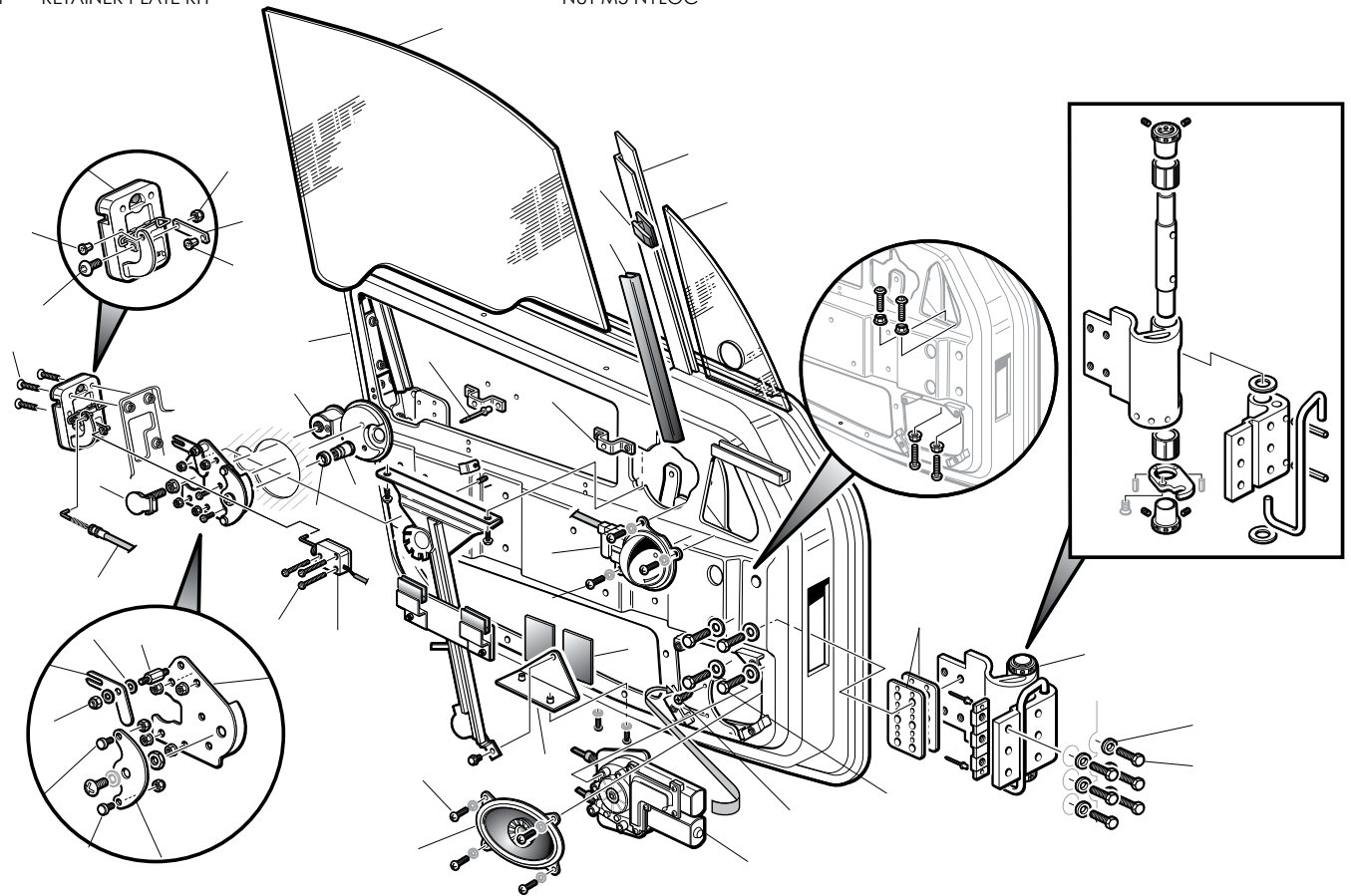


Door Internals



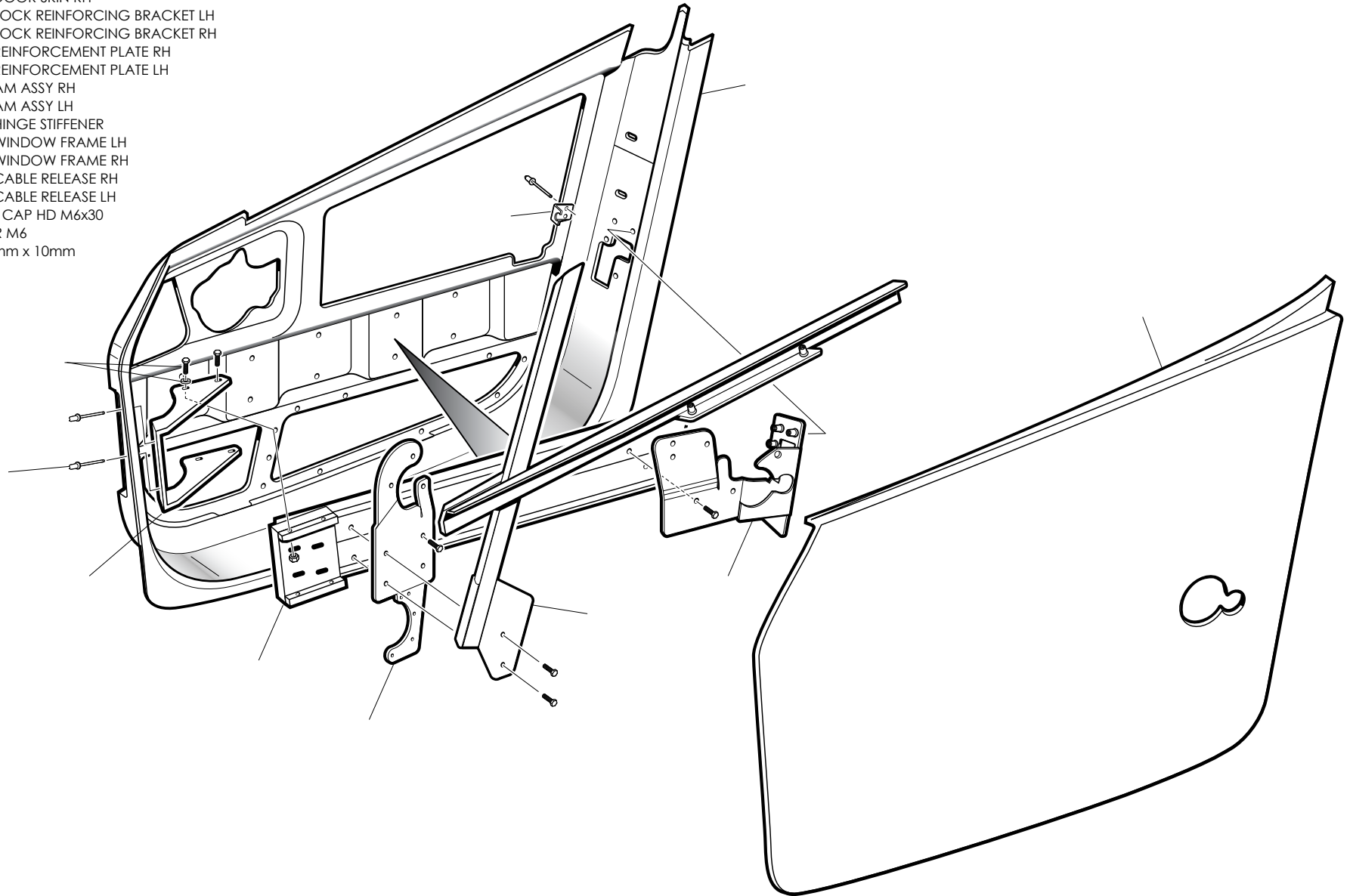
Door Internals

- | | | | | | | | | |
|-----|----------|--|----------|--------------|-------------------|-------------------|----------|--------------------------|
| 1. | MSM19905 | DOOR RH | MDE17865 | MICRO SWITCH | MBW61870 | RETAINER PLATE LH | | |
| | MSM19904 | DOOR LH | 29. | MBC13357 | 37. | MBW61889 | LEVER RH | |
| | MUP59954 | DOOR SEAL RH | 30. | | | MBW61886 | LEVER LH | |
| | MUP59963 | DOOR SEAL LH | | | | 38. | MBW61892 | PIVOT |
| 2. | G010001 | DOOR GLASS LH | 31. | | | 39. | MBW13402 | FIBRE WASHER FLANGED |
| | G010002 | DOOR GLASS RH | 32. | MBW61903 | DOOR HANDLE RH | 40. | MBW13403 | FIBRE WASHER FLAT |
| 3. | MWS21292 | QUARTER LIGHT GLASS LH | | MBW61902 | DOOR HANDLE LH | | | NUT M5 NYLOC |
| | MWS21293 | QUARTER LIGHT GLASS RH | 33. | MBC13400 | DOOR LOCK HOUSING | 41. | MBW61878 | PUSH ROD |
| 4. | MWS50133 | DOOR WINDOW RUNNER RH | | MBC13401 | BARRELL AND KEY | 42. | MBW61894 | DOOR LOCK LATCH PUSH BAR |
| | MWS50132 | DOOR WINDOW RUNNER LH | 34. | MBW61872 | SPACER | | | NUT M5 NYLOC |
| 5. | MWS21360 | SEAL | 35. | MBW61878 | PUSH ROD | 43. | MBW61894 | DOOR LOCK LATCH PUSH BAR |
| 6. | MBW61781 | SEAL RH | 36. | MBW61871 | RETAINER PLATE RH | | | NUT M5 NYLOC |
| | MBW61780 | SEAL LH | | | | | | |
| 7. | MBW19009 | DOOR HINGE RH | | | | | | |
| | MBW19008 | DOOR HINGE LH | | | | | | |
| 8. | | BOLT SET 5/16 X 1 UNF | | | | | | |
| 9. | | WASHER FLAT 5/16 STEEL | | | | | | |
| 10. | MBW12238 | BACKING PLATE | | | | | | |
| 11. | | BOLT SET 5/16 X 1 UNF HEX HEAD
STEEL ZINC/CLEAR PASS. | | | | | | |
| | | WASHER FLAT 5/16 STEEL | | | | | | |
| 12. | | SCREW M6x12 SOCKET HD CSK
DACROMET | | | | | | |
| 13. | MEE33321 | WINDOW MOTOR RH | | | | | | |
| | MEE33326 | WINDOW MOTOR LH | | | | | | |
| 14. | MBW61941 | BRACKET RH | | | | | | |
| | MBW61940 | BRACKET LH | | | | | | |
| 15. | MCA1321 | TAPE | | | | | | |
| 16. | MMM10625 | RADIO SPEAKER | | | | | | |
| 17. | | SOCKET BUTTON M6x20 DACROMET
WASHER FLAT 6mm DACROMET | | | | | | |
| 18. | MBC19801 | DOOR HANDLE INNER LH | | | | | | |
| | MBC19800 | DOOR HANDLE INNER RH | | | | | | |
| 19. | | SOCKET BUTTON M6x20 DACROMET
WASHER FLAT 6mm | | | | | | |
| 20. | MBW19110 | BRACKET | | | | | | |
| 21. | MGR00651 | RIVET | | | | | | |
| 22. | MEE33351 | ACTUATOR RH | | | | | | |
| | MEE33350 | ACTUATOR LH | | | | | | |
| 23. | | SCREW SLOTTED M5x40 METRIC
STEEL PAN HEAD ZN/CLEAR PASS | | | | | | |
| 24. | MBC13365 | CABLE | | | | | | |
| 25. | MBC13326 | DOOR LOCK RH | | | | | | |
| | MBC13306 | DOOR LOCK LH | | | | | | |
| 26. | MBC13384 | LINKAGE | | | | | | |
| 27. | MBC13357 | BUSH | | | | | | |
| 28. | MGS0027 | NUT | | | | | | |

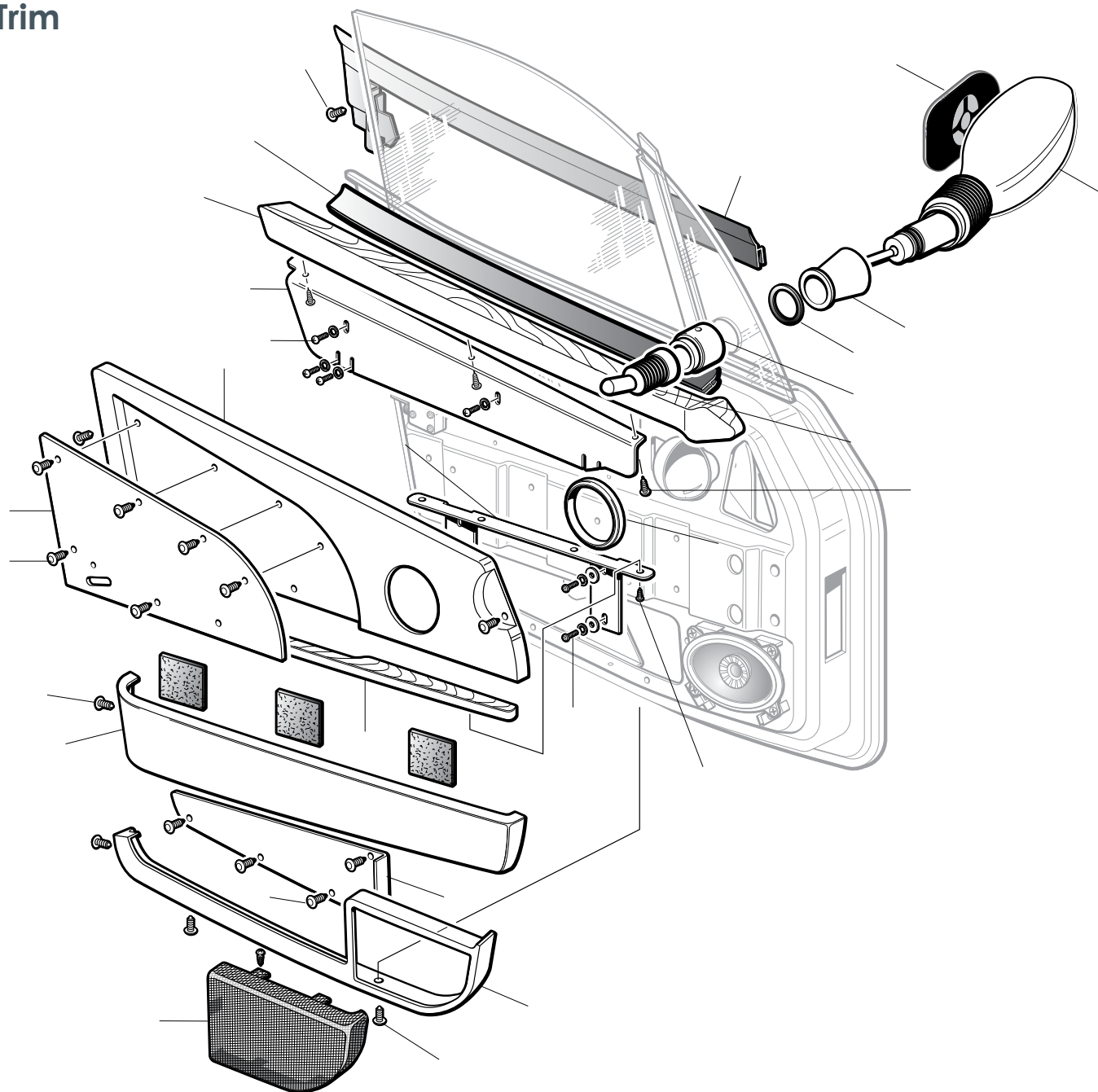


Door Metal Work

- | | | |
|-----|-----------|----------------------------------|
| 1. | RSM11302 | INNER DOOR SKIN LH |
| | RSM11303 | INNER DOOR SKIN RH |
| 2. | RSM19904 | OUTER DOOR SKIN LH |
| | RSM 19905 | OUTER DOOR SKIN RH |
| 3. | RBW61917 | DOOR LOCK REINFORCING BRACKET LH |
| | RBW61918 | DOOR LOCK REINFORCING BRACKET RH |
| 4. | MBW19146 | HINGE REINFORCEMENT PLATE RH |
| | MBW19145 | HINGE REINFORCEMENT PLATE LH |
| 5. | MBW12424 | SIDE BEAM ASSY RH |
| | MBW12423 | SIDE BEAM ASSY LH |
| 6. | R430048 | DOOR HINGE STIFFENER |
| 7. | MWS21226 | DOOR WINDOW FRAME LH |
| | MWS21227 | DOOR WINDOW FRAME RH |
| 8. | MBW61896 | DOOR CABLE RELEASE RH |
| | MBW61898 | DOOR CABLE RELEASE LH |
| 9. | | SOCKET CAP HD M6x30 |
| | | WASHER M6 |
| 10. | MGR00651 | RIVET 5mm x 10mm |



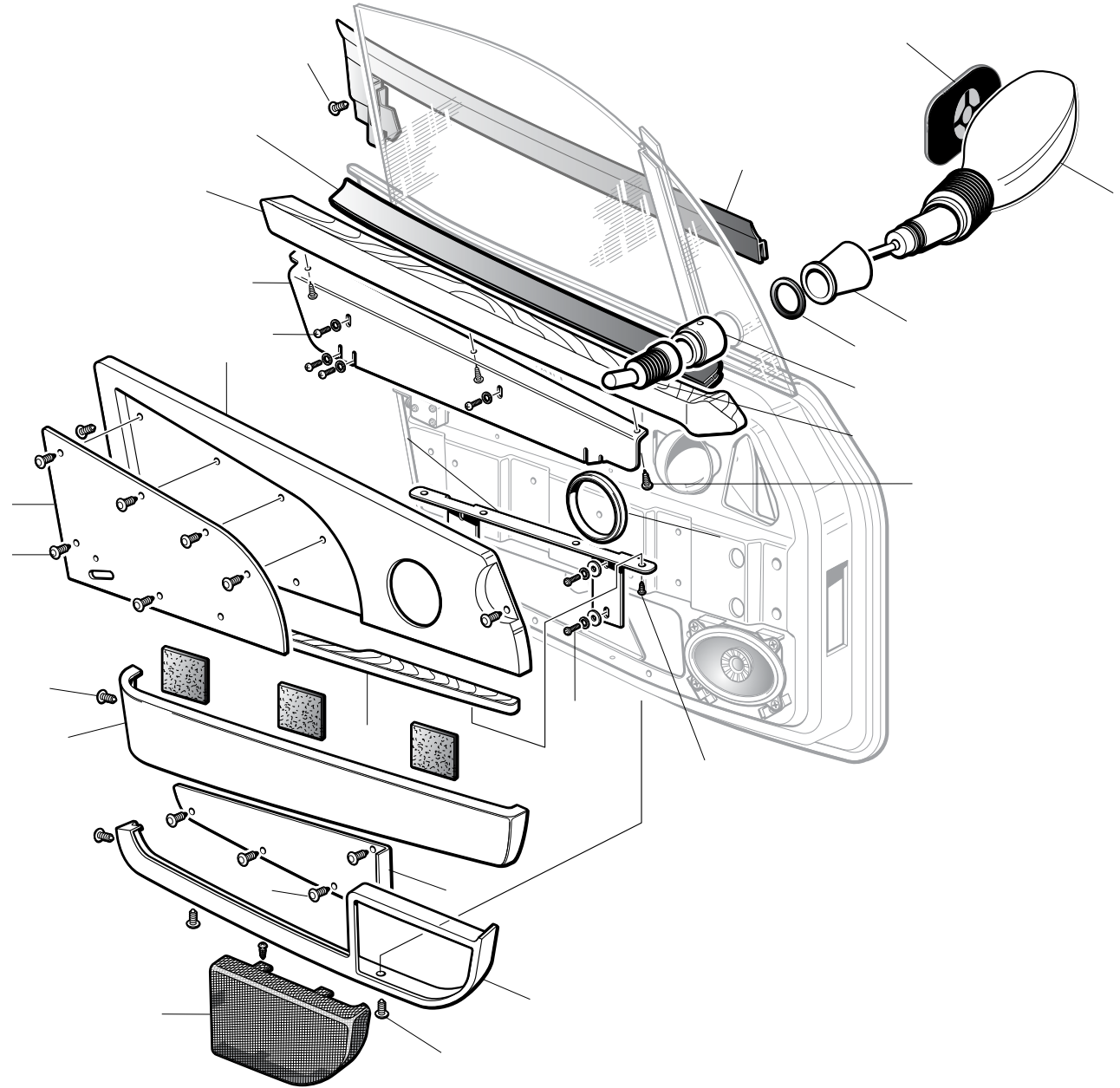
Door Mirrors and Trim



Door Mirrors and Trim

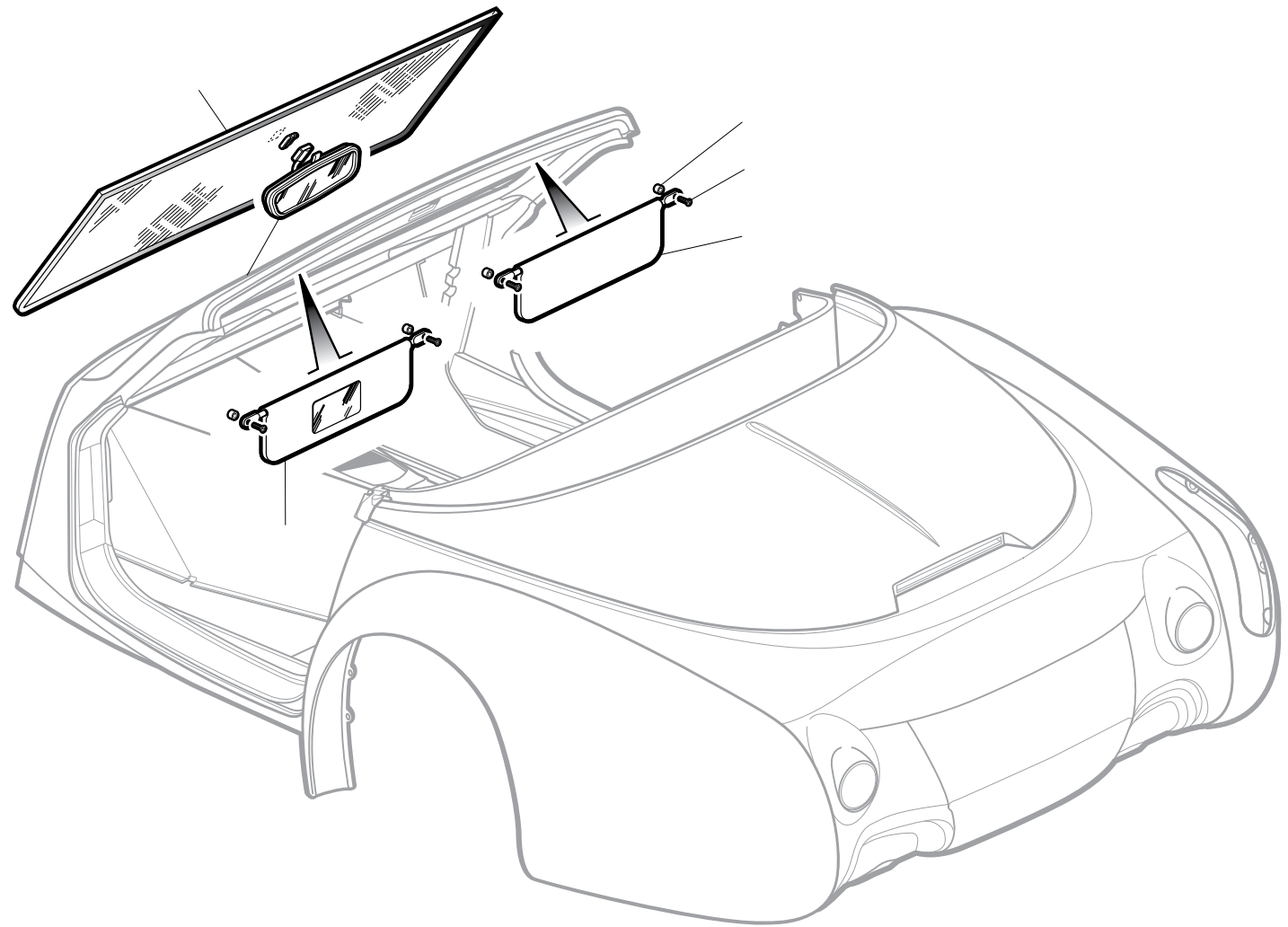
1. RBW61783 DOOR PANEL RH
RBW61781 DOOR PANEL LH
2. P430175 DOOR PANEL
3. MUP6242 PRESS STUD
4. MBW61890 BRACKET
5. SOCKET BUTTON M6x20 DACROMET
WASHER S/PROOF 1/4"
WASHER PENNY 1/4" 1x17/64x18G DACROMET
STYLUS POZI 4x13 RDH
6. T430095 ARMREST WOOD LH (STATE COLOUR)
T430096 ARMREST WOOD RH (STATE COLOUR)
8. MBW61786 CENTRE DOOR PANEL RH
MBW61784 CENTRE DOOR PANEL LH
9. MUP6242 PRESS STUD
10. MBW61797 DOOR PANEL INFILL RH
MBW61798 DOOR PANEL INFILL LH
11. MUP6242 PRESS STUD
12. MBW61790 LOWER DOOR PANEL RH
MBW61788 LOWER DOOR PANEL LH
13. MUP6242 PRESS STUD
14. MMM10423 DOOR SPEAKER MESH RH
MMM10422 DOOR SPEAKER MESH LH
15. MBC19790 DOOR LOCK RIM
16. MBW150402 ARM RAIL SUPPORT BRACKET RH
MBW150401 ARM RAIL SUPPORT BRACKET LH
17. SCREW SLOTTED M5x12 METRIC
STEEL PAN HEAD ZN/CLEAR PASS
WASHER S/PROOF 1/4" DACROMET
STYLUS POZI 4x13 RDH
18. MBW150391 DOOR TRIM RAIL RH (STATE COLOUR)
MBW150390 DOOR TRIM RAIL LH (STATE COLOUR)
20. MBW150402 WAIST INNER SEAL RH
MBW150401 WAIST INNER SEAL LH
21. MUP59974 WAIST SEAL OUTER RH
MUP59973 WAIST SEAL OUTER LH
22. MUP6242 PRESS STUD
23. MBC10451 DOOR MIRROR PASSENGER SIDE UP TO 23/6/2016
MBC10450 DOOR MIRROR DRIVERS SIDE UP TO 23/6/2016
A400100 DOOR MIRROR PASSENGER SIDE 23/6/2016 ON
A400101 DOOR MIRROR DRIVERS SIDE 23/6/2016 ON
B090104 MIRROR BACKING PLATE LH 23/6/2016 ON
B090105 MIRROR BACKING PLATE RH 23/6/2016 ON
MUP87016 MIRROR COVER RH
MUP87015 MIRROR COVER LH
MUP87018 INFILL MIRROR COVER RH
MUP87017 INFILL MIRROR COVER LH
24. MBC10470 DOOR MIRROR MOUNTING
25. MBC10520 DOOR MIRROR SEAL
26. MBC10500 DOOR MIRROR NUT
27. MBC10460 DOOR MIRROR KNOB
28. MBC10440 DOOR MIRROR LH & RH
MBC10451 DOOR MIRROR PASSENGER DOOR - USA ONLY*

*NOTE: USA VEHICLES REQUIRE MBC10440 FOR DRIVERS DOOR

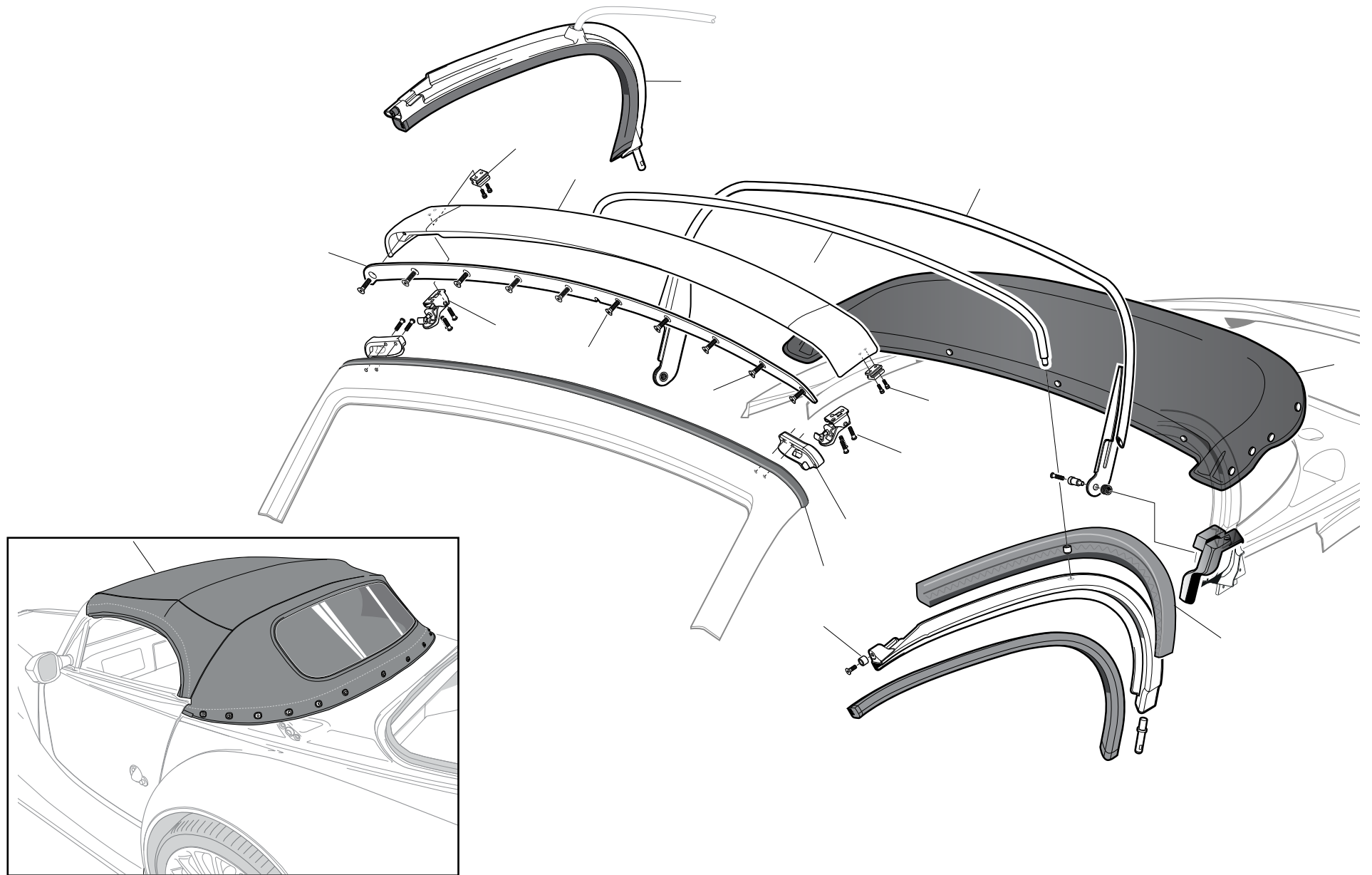


Glass and Visors

1. MWS00820 WINDSCREEN
2. MWS00832 WINDSCREEN SEAL
3. MWS02050 INTERIOR MIRROR
4. MWS0194 VISOR WITH MIRROR
5. MWS0193 VISOR WITHOUT MIRROR
6. MWS01922 SCREW SKT C/SK M5x25
S/STEEL POLISHED HEAD
SPACER

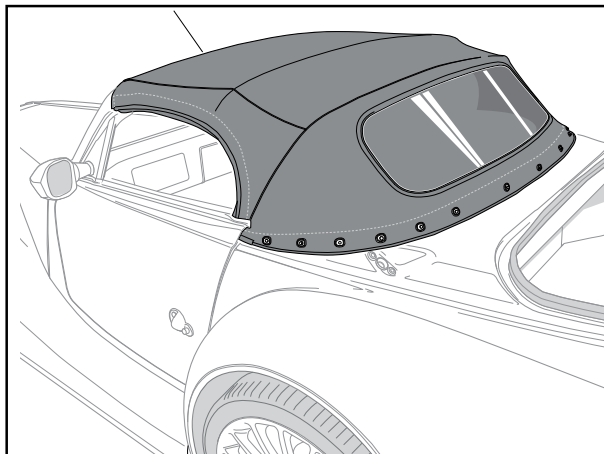
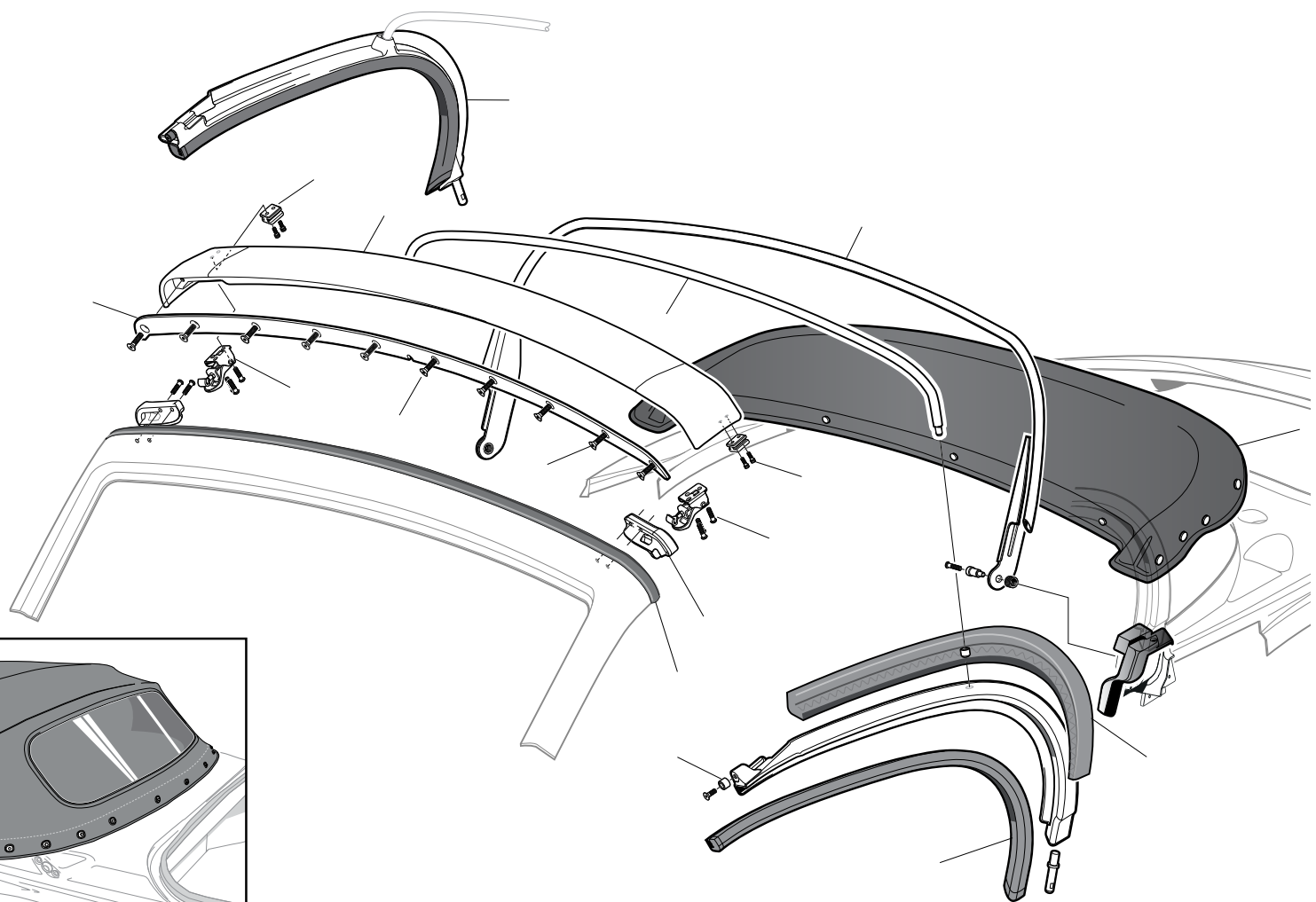


Folding Roof



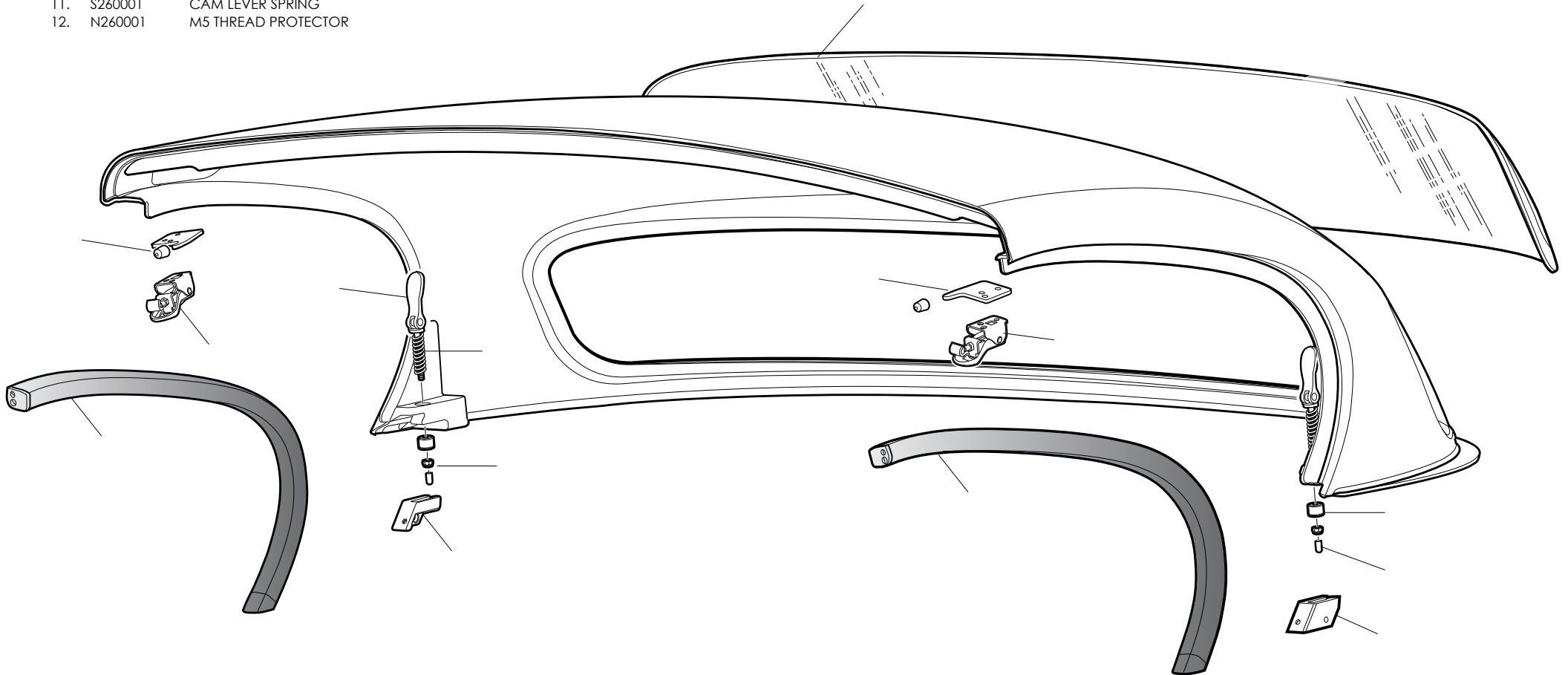
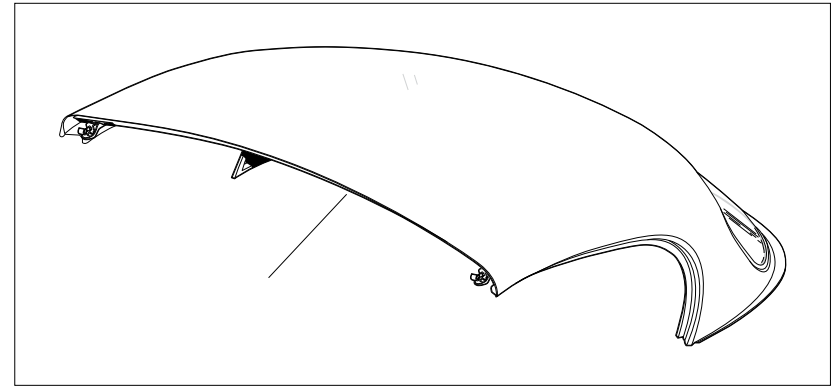
Folding Roof

- 1. A070014 FOLDING ROOF FRAMEWORK
(COMPLETE FOLDING ROOF ASSY.)
- 2. MUP5934 PROWLER CATCH
- 3. D090069 HEADER CLAMP PLATE
(UNPAINTED)
- 4. T090118 ROOF HEADER END CAP TENON
- 5. A090105 FOLD OUT SIDE RAIL ASSY. RH
(UNPAINTED)
- A090104 FOLD OUT SIDE RAIL ASSY. LH
(UNPAINTED)
- 6. A090125 HEADER RAIL (UNPAINTED)
- 7. A090111 FRONT ROOF BOW ASSY.
- 8. A090101 REAR ROOF BOW ASSY.
- 9. SCREW M4 X 12 CAP HEAD
- 10. M5 X 20 BUTTON HD SCREW
- 11. T090125 OUTER ROOF LOCATION LH
- T090126 OUTER ROOF LOCATION RH
- 12. M6 X 25 SKT C'SK HD SCREW
- 13. F500004 M2.5 X 12 POZI PAN MACHINE
SCREW ZINC PLATED
- 14. MUP59957 FRONT HEADER SEAL
- 15. K370021 CANT RAIL SEAL UPPER SEAL LHS & RHS
- 16. T090120 CANT RAIL LOCATING BOBBIN
- 17. J400022 HOOD COVER FOR
STORAGE AREA
- 18. K370018 CANT RAIL SEAL LH
- K370019 CANT RAIL SEAL RH

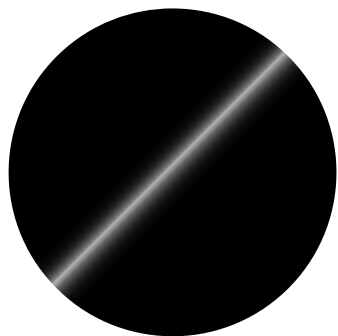


Hard Top

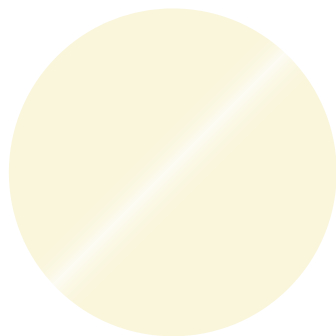
- 1. A400098 HARD TOP ASSEMBLY
- 2. G400020 REAR SCREEN HARD TOP
- 3. D260001 CAM LEVER ASSY
- 4. D090093 LOCATING PLATE
- D060092 HARD TOP LOCATING PLATE LH
- D060093 HARD TOP LOCATING PLATE RH
- M090019 LOCATING MOULDING
- 5. MUP5934 PROWLER CATCH
- 6. K370001 CANT RAIL SEAL
- 7. D260004 POST LOCATING BLOCK RH
- 8. D260002 POST LOCATING BLOCK LH
- 9. NYLOC NUT M5
- 10. D260003 LOCATING BLOCK
- 11. S260001 CAM LEVER SPRING
- 12. N260001 M5 THREAD PROTECTOR



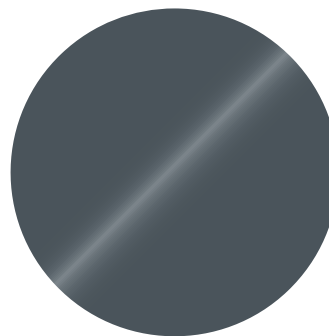
Paint Colours



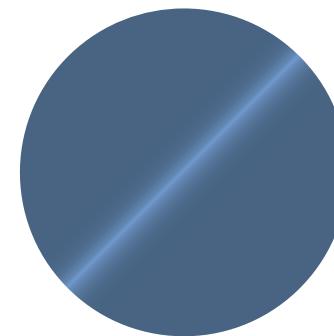
Sport Black



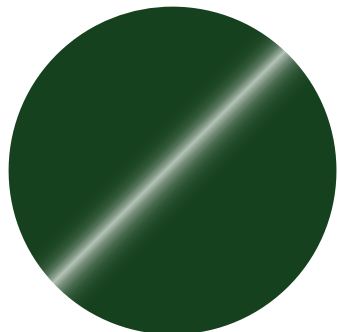
Sport Ivory



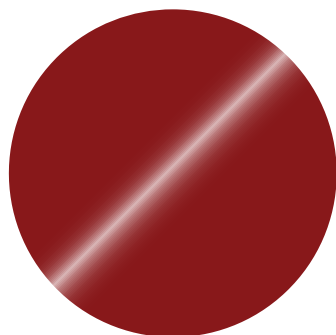
Sport Grey



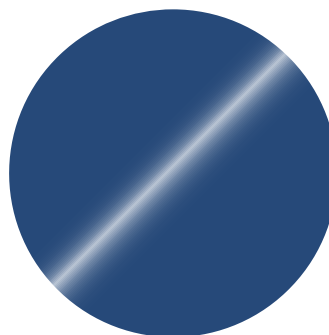
Classic Blue



Sport Green



Sport Red



Sport Blue



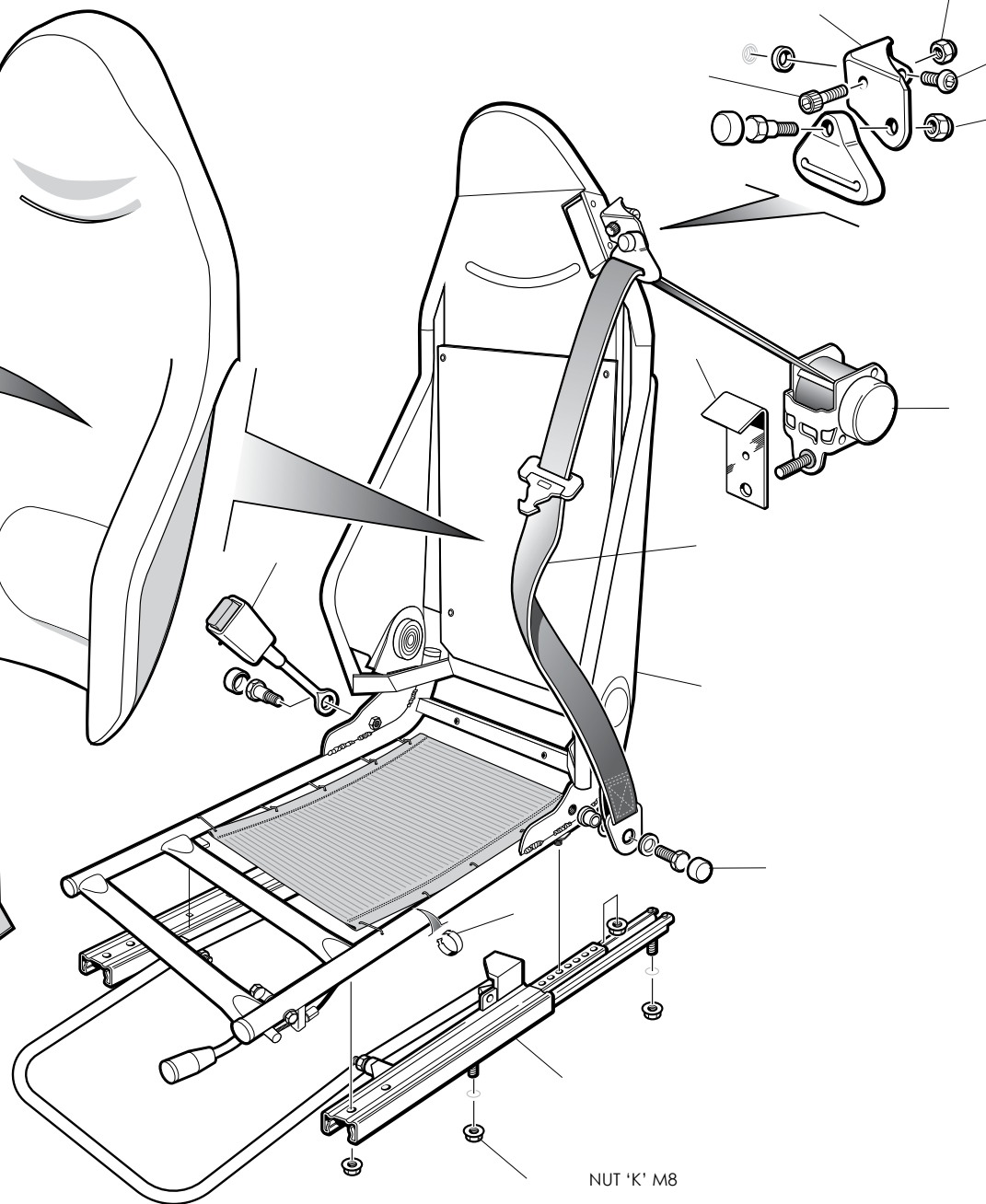
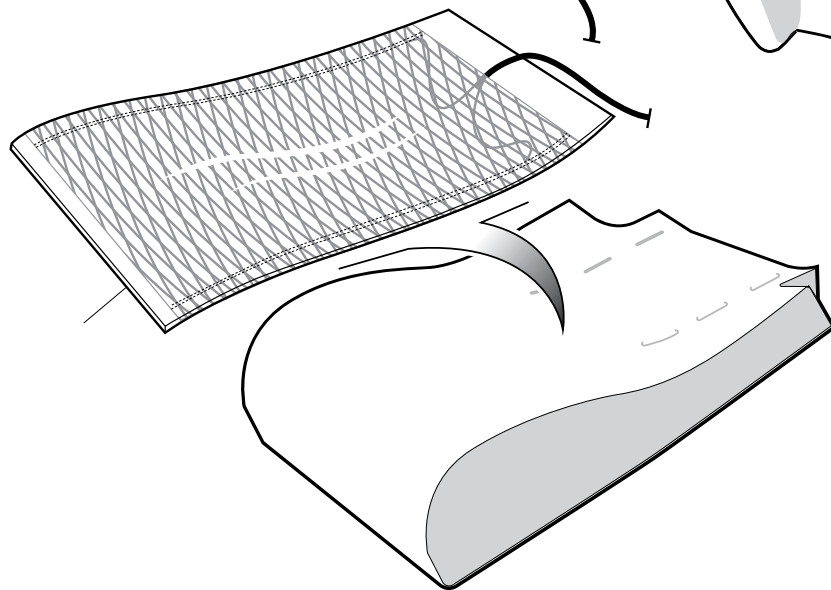
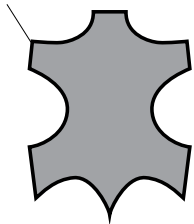
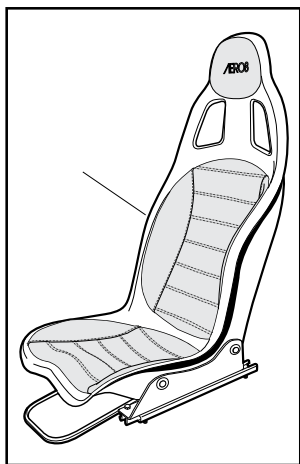
Classic White



INTERIOR

AERO 8 PARTS BOOK Version 2.1

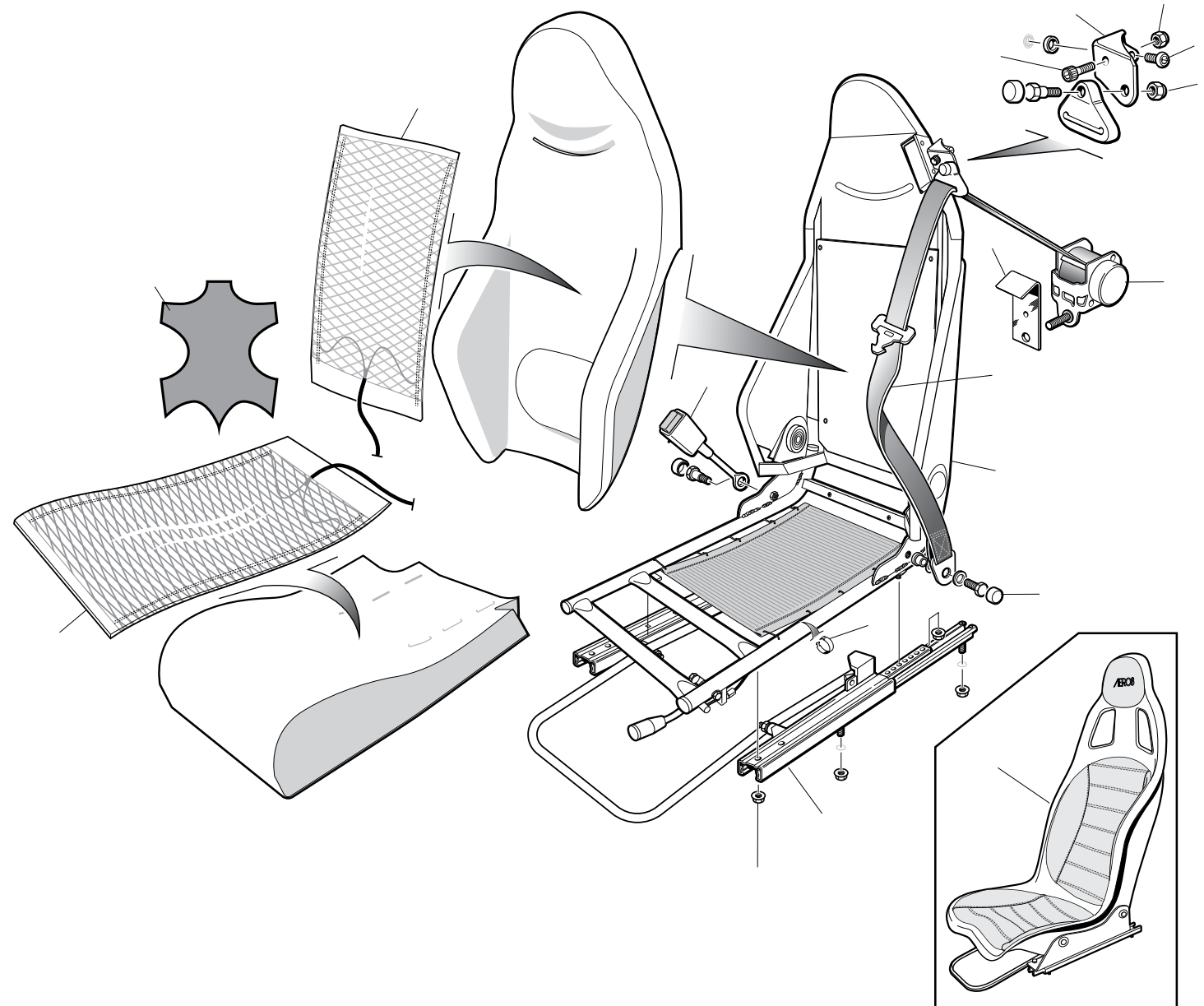
Seats



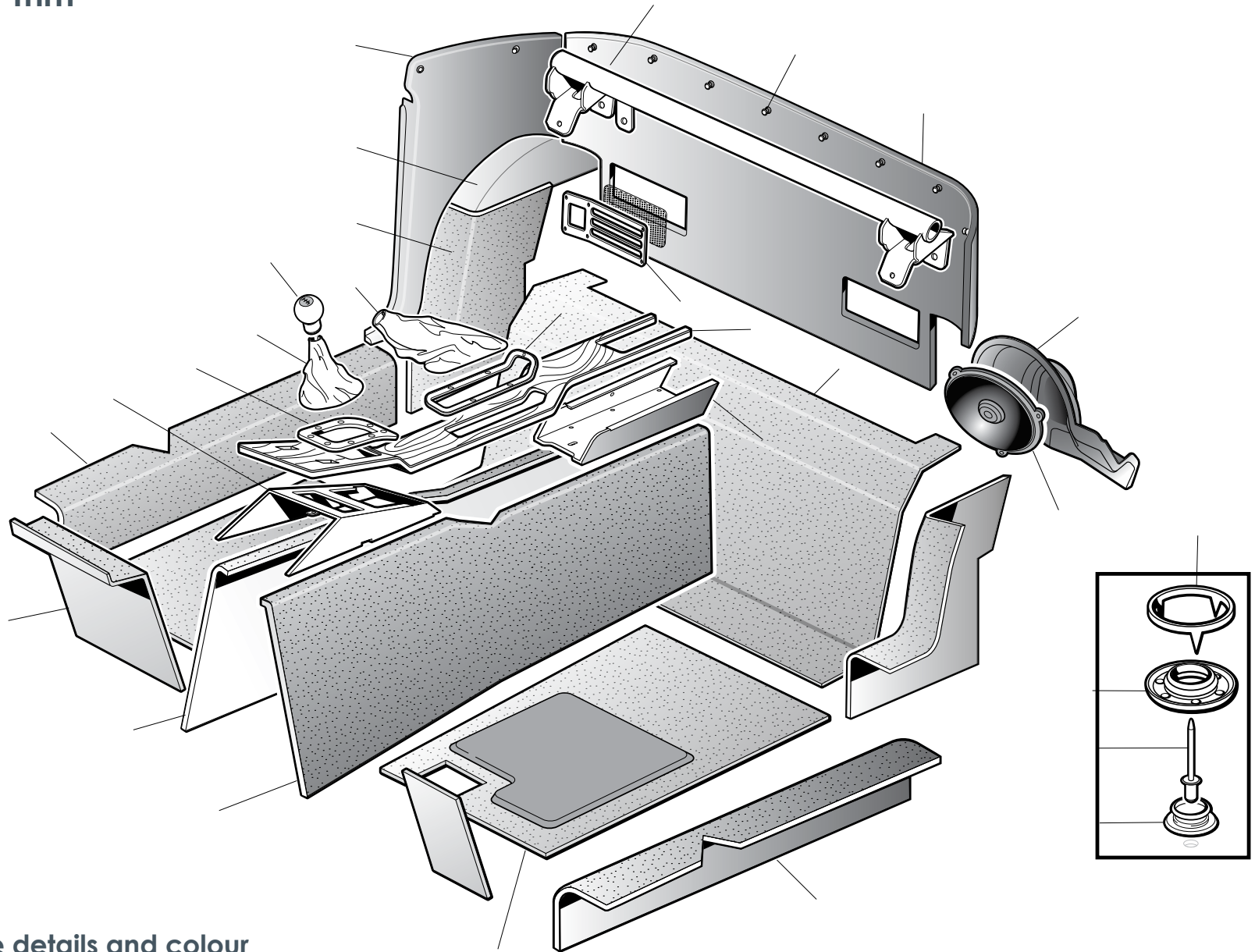
NUT 'K' M8

Seats

- 1. U430005 RECLINING SEAT FRAME LH
- U430006 RECLINING SEAT FRAME RH
- 2. MSH0150 SEAT BELT
- 3. NSS PART OF ITEM 2
- 4. NSS PART OF ITEM 2
- 5. MSH0035 SEAT BELT BUCKLE
- 6. E430009 HEATED SEAT MAT
- 7. E430009 HEATED SEAT MAT
- 8. A430039 LH YARWOOD PLEATED SEAT
- A430177 LH YARWOOD QUILTED SEAT
- A430239 LH X-TREME PLEATED SEAT
- A430241 LH X-TREME QUILTED SEAT
- A430040 RH YARWOOD PLEATED SEAT
- A430176 RH YARWOOD QUILTED SEAT
- A1430238 RH X-TREME PLEATED SEAT
- A430240 RH X-TREME QUILTED SEAT
- SP430013 RH SEAT SQUAB PLEATED YARWOOD
- SP430014 LH SEAT SQUAB PLEATED YARWOOD
- SP430015 RH SEAT SQUAB PLEATED X-TREME
- SP430016 LH SEAT SQUAB PLEATED X-TREME
- SP430017 RH SEAT SQUAB QUILTED YARWOOD
- SP430018 LH SEAT SQUAB QUILTED YARWOOD
- SP430019 RH SEAT SQUAB QUILTED X-TREME
- SP430020 LH SEAT SQUAB QUILTED X-TREME
- SP430021 RH SEAT CUSHION PLEATED YARWOOD
- SP430022 LH SEAT CUSHION PLEATED X-TREME
- SP430023 RH SEAT CUSHION PLEATED X-TREME
- SP430024 LH SEAT CUSHION PLEATED X-TREME
- SP430025 RH SEAT CUSHION QUILTED YARWOOD
- SP430026 LH SEAT CUSHION QUILTED YARWOOD
- SP430027 RH SEAT CUSHION QUILTED X-TREME
- SP430028 LH SEAT CUSHION QUILTED X-TREME
- 9. MUS5590 CASING CLIP
- 10. M8 x 16 SOCKET CAP HEAD
- 11. MSH0780 SEAT BELT LOOP BRACKET RH
- MSH0770 SEAT BELT LOOP BRACKET LH
- 12. NUT NYLOC M8
- 13. MGS06332 SCREW SOCKET BUTTON M8 x 50
- 14. NUT NYLOC 7/16 UNF
- 15. MSH00760 SEAT BELT GUIDE
- 16. RS00001 B6 RACE SEAT CARBON
- RS00002 B6 XL RACE SEAT CARBON
- RS00005 BRACKET KIT
- RS00010 B5 CARBON SEAT
- RS00020 SEAT RUNNER BRACKET
- RS00030 SEAT RUNNER
- 17. MUS43570 SEAT RUNNER DRIVERS SIDE
- MUS43571 SEAT RUNNER PASSENGER SIDE
- 18. NUT 'K' M8



Carpets & Interior Trim



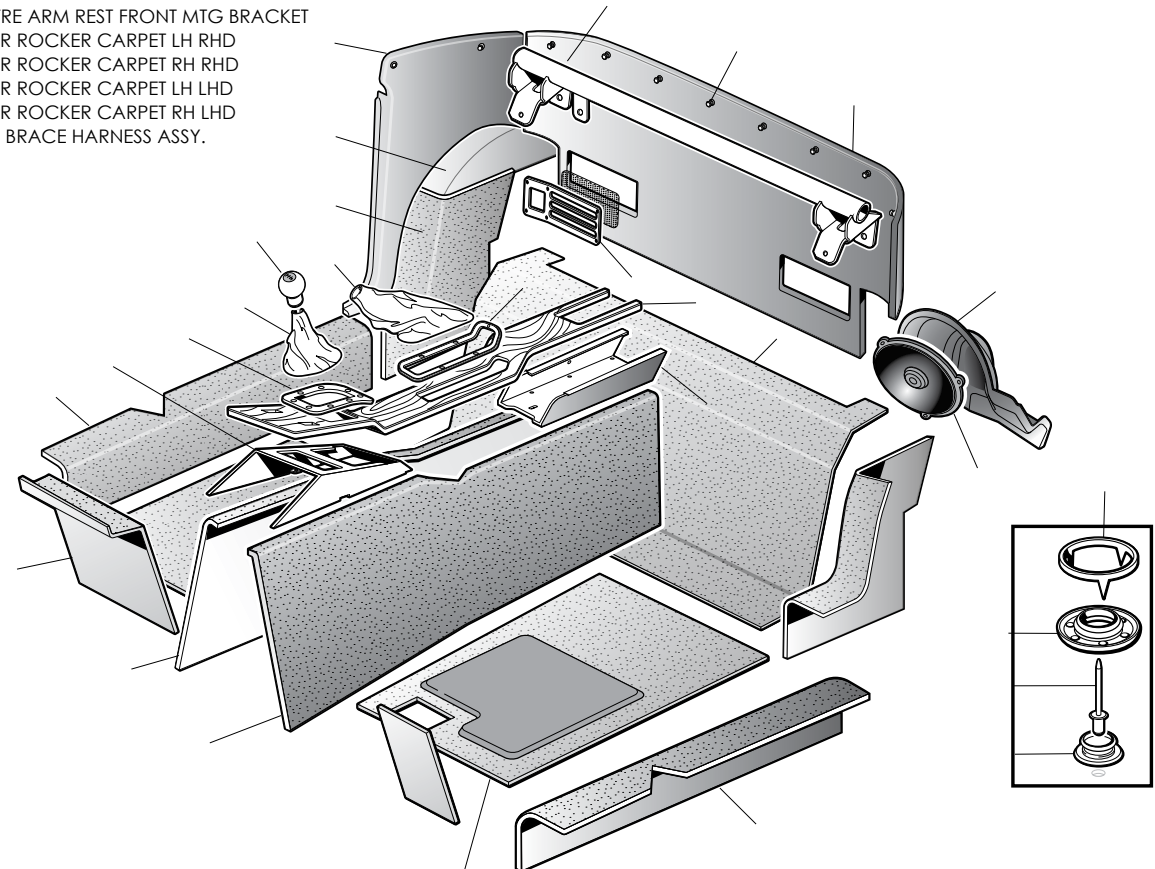
Please state vehicle details and colour
when ordering carpets

Carpets & Interior Trim

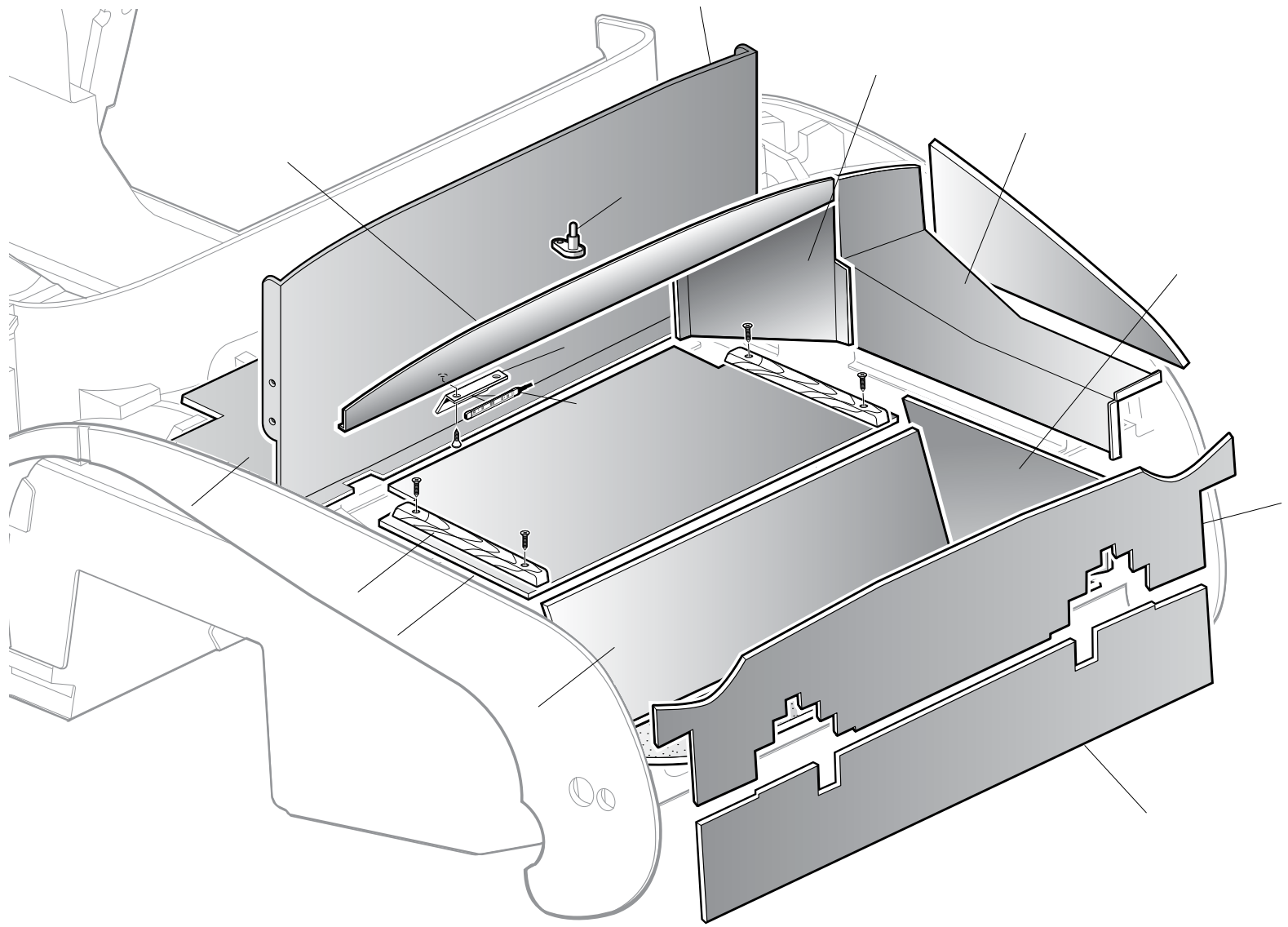
- 1. J430638 GEARBOX CARPET SIDE RH RHD MANUAL
- J430640 GEARBOX CARPET SIDE RH LHD MANUAL
- J430642 GEARBOX CARPET SIDE RH RHD AUTO
- J430644 GEARBOX CARPET SIDE RH LHD AUTO
- 2. J4306437 GEARBOX CARPET SIDE LH RHD MANUAL
- J430639 GEARBOX CARPET SIDE LH LHD MANUAL
- J430641 GEARBOX CARPET SIDE LH RHD AUTO
- J430643 GEARBOX CARPET SIDE LH LHD AUTO
- 3. J430627 FRONT CARPET LH RHD MANUAL
- J430629 FRONT CARPET LH LHD MANUAL
- J430631 FRONT CARPET LH RHD AUTO
- J430633 FRONT CARPET LH LHD AUTO
- J430628 FRONT CARPET RH RHD MANUAL
- J430630 FRONT CARPET RH LHD MANUAL
- J430632 FRONT CARPET RH RHD AUTO
- J430634 FRONT CARPET RH LHD AUTO
- 4. J430623 FRONT FLOOR CARPET LH RHD MANUAL
- J430625 FRONT FLOOR CARPET LH LHD MANUAL
- J430624 FRONT FLOOR CARPET RH RHD MANUAL
- J430626 FRONT FLOOR CARPET RH LHD MANUAL
- J430710 FRONT FLOOR CARPET LH RHD AUTO
- J430712 FRONT FLOOR CARPET LH LHD AUTO
- J430711 FRONT FLOOR CARPET RH RHD AUTO
- J430713 FRONT FLOOR CARPET RH LHD AUTO
- 5. J430635 DOOR ROCKER CARPET LH RHD
- J430636 DOOR ROCKER CARPET RH RHD
- J430714 DOOR ROCKER CARPET LH LHD
- J430715 DOOR ROCKER CARPET RH LHD
- 6. MUP6220 PRESS STUD BODY CUP
- 7. MGR0011 RIVET ALUMINIUM 1/8
- 8. MUP6245 VELTEX ROUND SOCKET PLATE
- 9. MUP6246 VELTEX SPIKED METAL RING
- 10. MMM10627 REAR SPEAKER 6" X 9"
- 11. M430049 SPEAKER COVER LH
- M430050 SPEAKER COVER RH
- 12. A430250 CENTRE ARM REST REAR SUPPORT BRACKET
- 13. J430643 HEELBOARD CARPET
- 14. P430087 CENTRE ARM REST TRIM PANEL MANUAL
- P430172 CENTRE ARMREST TRIM PANEL AUTO
- 15. D430034 SPEAKER EMBELLISHER
- P430211 SPEAKER MESH
- 16. J430716 SPEAKER BOARD LEATHER STANDARD
- J430725 SPEAKER BOARD LEATHER XTREME
- 17. MUP6220 PRESS STUD BODY CUP
- MGS0150 SCREW POZI CSK M3 X 20
- 18. J430717 B-POST LEATHER LH STANDARD
- J430718 B-POST LEATHER RH STANDARD
- J430719 B-POST LEATHER LH XTREME
- J430720 B-POST LEATHER RH XTREME

- 19. J430723 WHEEL ARCH LEATHER UPPER LH STANDARD
- J430724 WHEEL ARCH LEATHER UPPER RH STANDARD
- J430726 WHEEL ARCH LEATHER UPPER LH XTREME
- J430727 WHEEL ARCH LEATHER UPPER RH XTREME
- 20. J430721 WHEEL ARCH CARPET LOWER LH
- J430722 WHEEL ARCH CARPET LOWER RH
- 21. T430087 HAND BRAKE EMBELLISHER
- 22. J430648 HAND BRAKE GAITOR - STANDARD
- J430650 HAND BRAKE GAITOR - XTREME
- 23. J430645 GEAR LEVER GAITER STANDARD
- J430647 GEAR LEVER GAITER XTREME
- 24. J430645 GEAR LEVER GAITER STANDARD
- J430647 GEAR LEVER GAITER XTREME
- 25. T430088 GEAR LEVER EMBELLISHER
- 26. A430251 CENTRE ARM REST FRONT MTG BRACKET
- 27. J430635 DOOR ROCKER CARPET LH RHD
- J430636 DOOR ROCKER CARPET RH RHD
- J430714 DOOR ROCKER CARPET LH LHD
- J430715 DOOR ROCKER CARPET RH LHD
- 28. A400091 REAR BRACE HARNESS ASSY.

Please state vehicle details and colour when ordering carpets

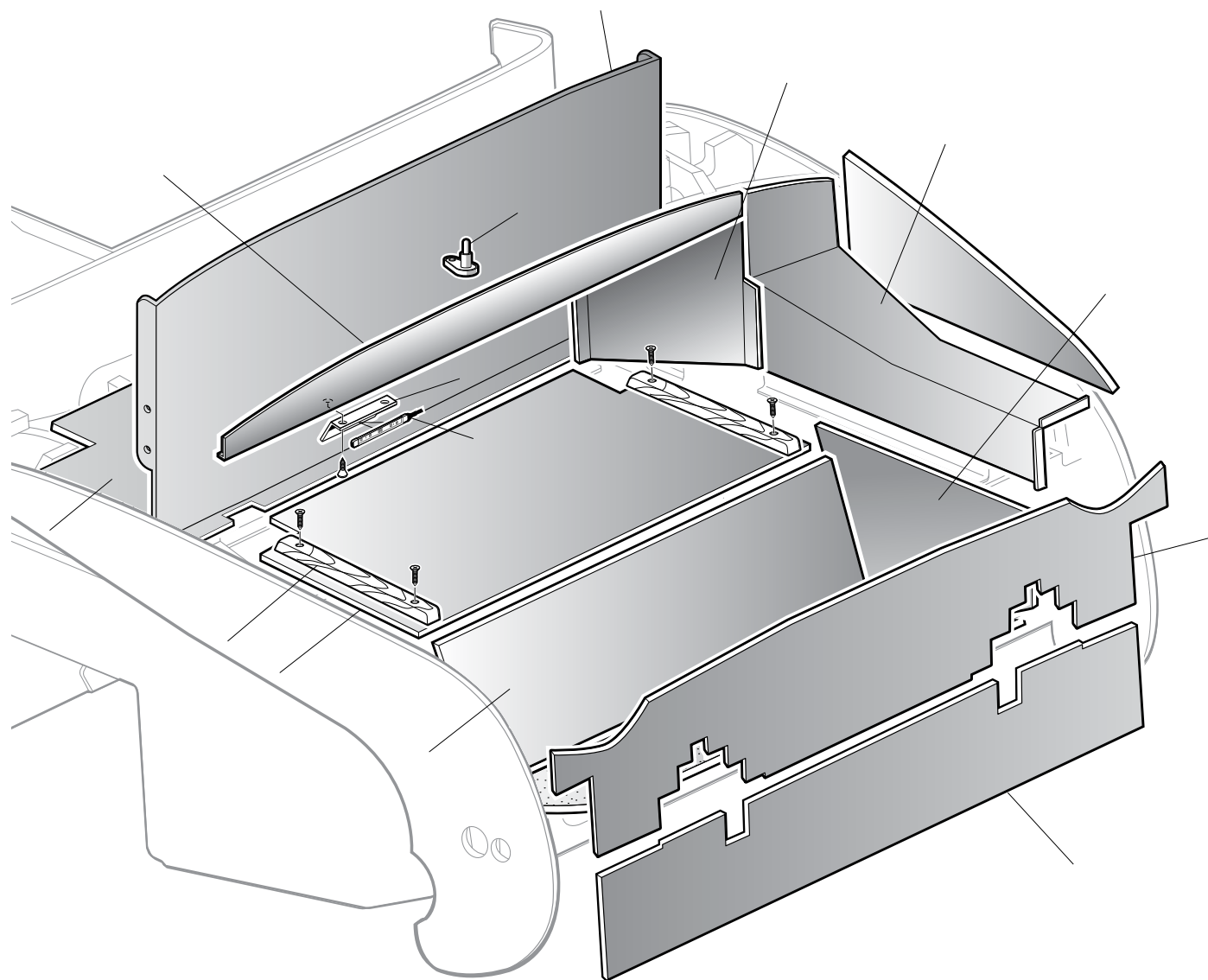


Boot Trim Panels

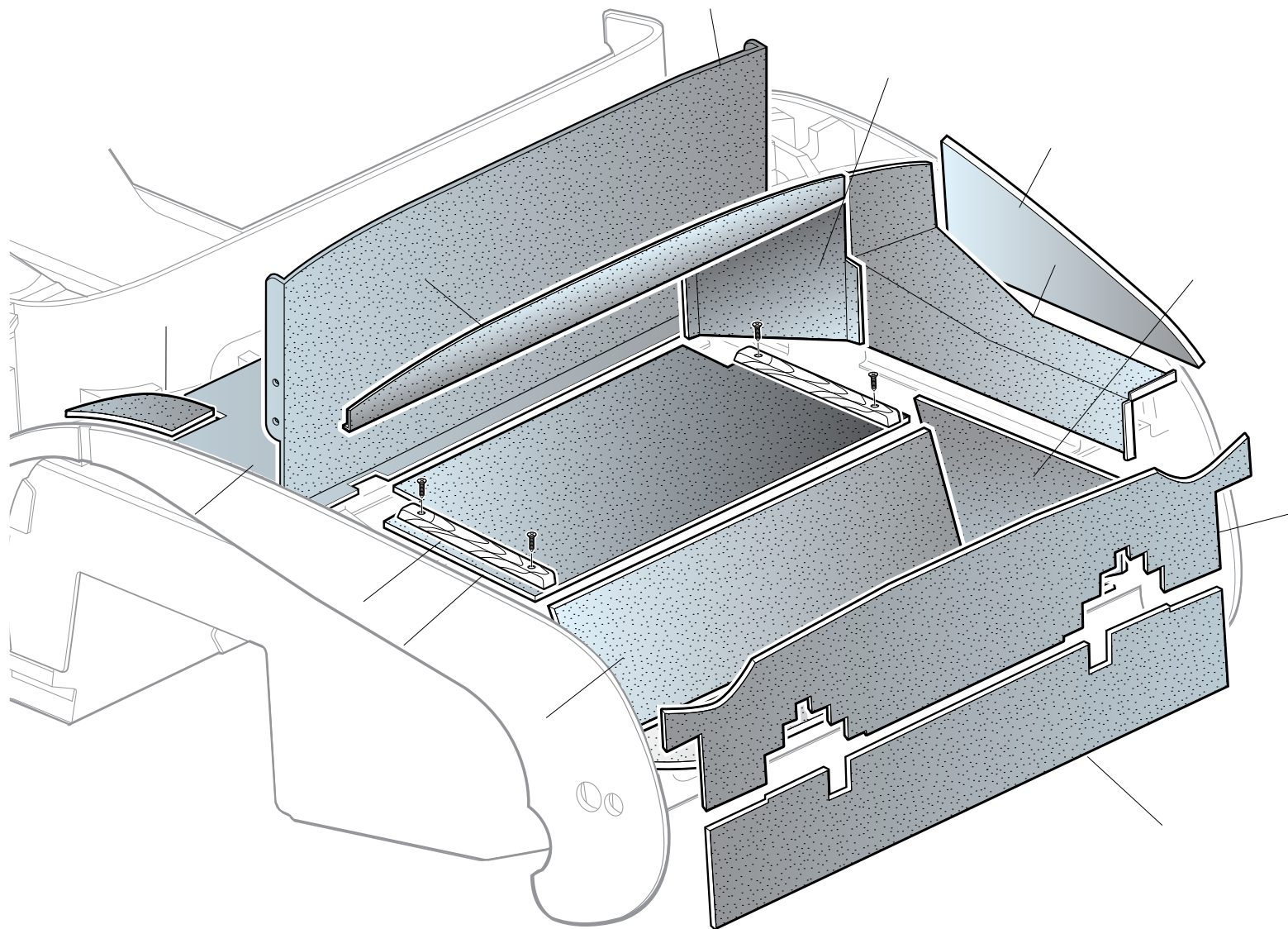


Boot Trim Panels

- | | | |
|-----|---------|----------------------------------|
| 1. | B090101 | REAR BULKHEAD UPPER |
| 2. | P060175 | REAR PANEL CORNER LH |
| | P060176 | REAR PANEL CORNER RH |
| 3. | A430186 | BOOT TRIM SIDE PANEL ASSY RH |
| | A430185 | BOOT TRIM SIDE PANEL ASSY LH |
| 4. | P430186 | BOOT TRIM INNER SIDE PANEL |
| 5. | P430146 | BOOT CLOSING PANEL |
| 6. | P070083 | BOOT BOARD INNER |
| 7. | P070081 | BOOT CLOSING PANEL |
| 8. | P070085 | BOOT FLOOR BOARD |
| 9. | P430198 | BOOT HINGE GUARD |
| 10. | P070088 | REAR BULKHEAD LOWER PANEL |
| 11. | P430188 | BOOT TRIM WOOD FINISH PANEL |
| 12. | B350003 | BOOT INTERIOR LIGHT BRACKET |
| 13. | E340249 | BOOT LIGHT LED STRIP AND HARNESS |
| 14. | MDE1720 | SWITCH DOOR INTERIOR LIGHT |

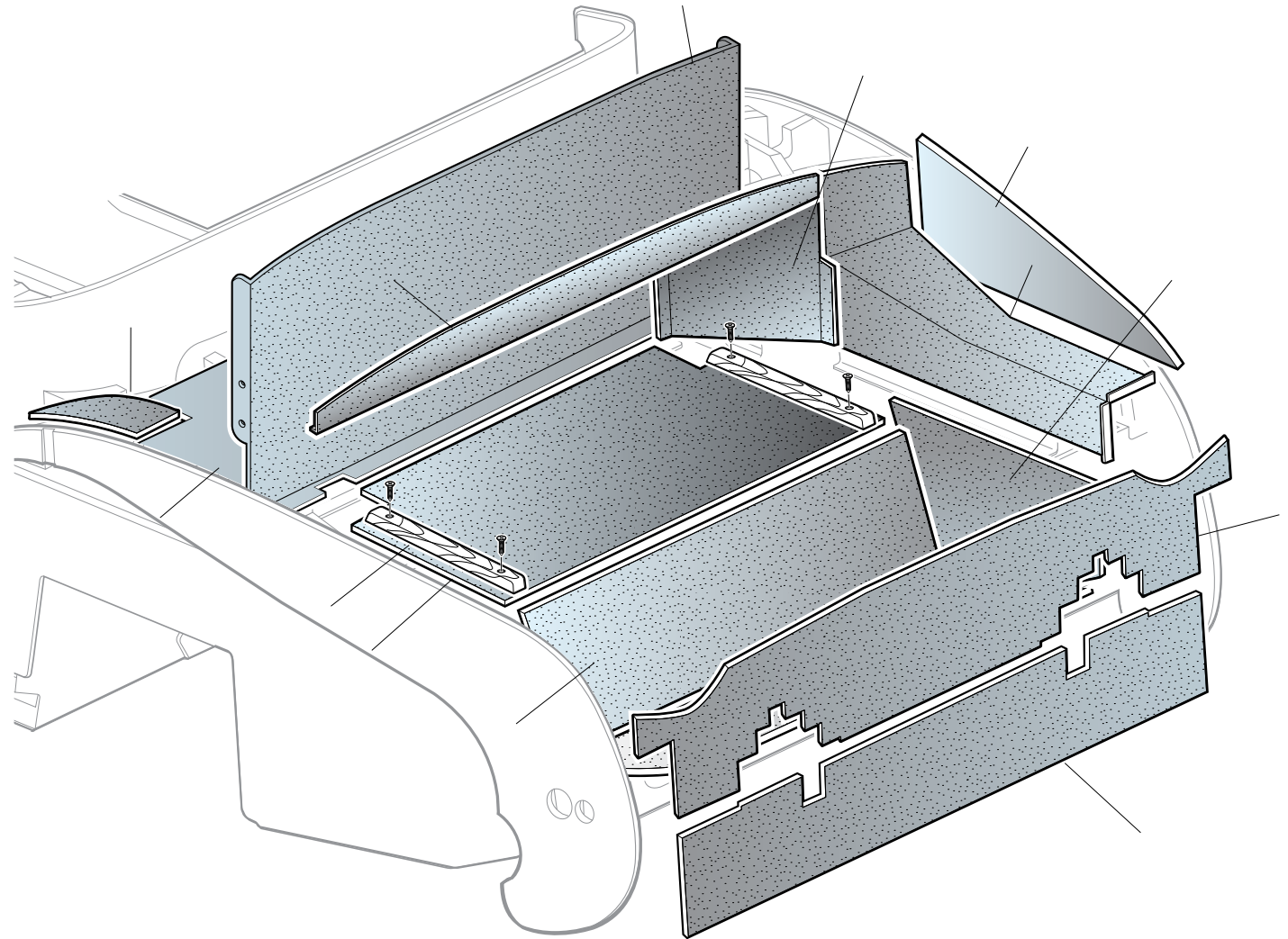


Boot Carpets and Trim

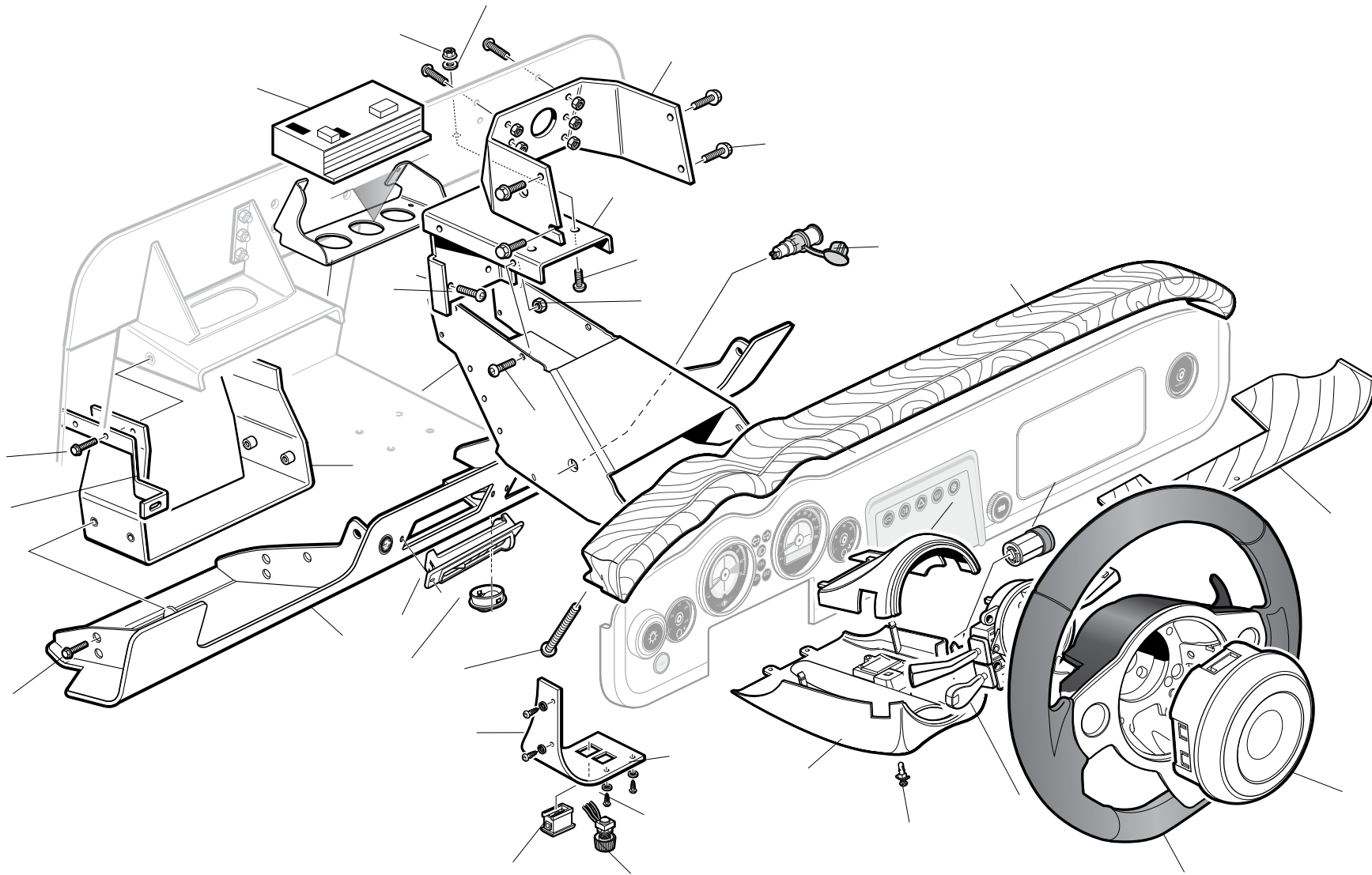


Boot Carpets and Trim

1. J430728 REAR BULKHEAD CARPET
2. J430729 REAR CORNER PANEL CARPET LH
J430730 REAR CORNER PANEL CARPET RH
3. J430741 REAR BOOT QUARTER CARPET LH
J430742 REAR BOOT QUARTER CARPET RH
4. J430731 BOOT SIDE PANEL CARPET LH
J430732 BOOT SIDE PANEL CARPET RH
5. J430733 BOOT SIDE PANEL INNER CARPET LH
J430734 BOOT SIDE PANEL INNER CARPET RH
6. J430735 BOOT CLOSING PANEL CARPET
7. J430736 BOOT BOARD INNER CARPET
8. J430737 BOOT FLOOR BOARD UPPER CARPET
9. J430738 BOOT FLOOR BOARD UPPER CARPET
10. P430198 BOOT HINGE GUARD
11. J430740 REAR BULKHEAD REAR BOARD VINYL
12. J430743 REAR WHEEL ARCH CARPET LH
J430744 REAR WHEEL ARCH CARPET RH
13. J430739 BOOT WOOD FINISHER PANEL CARPET

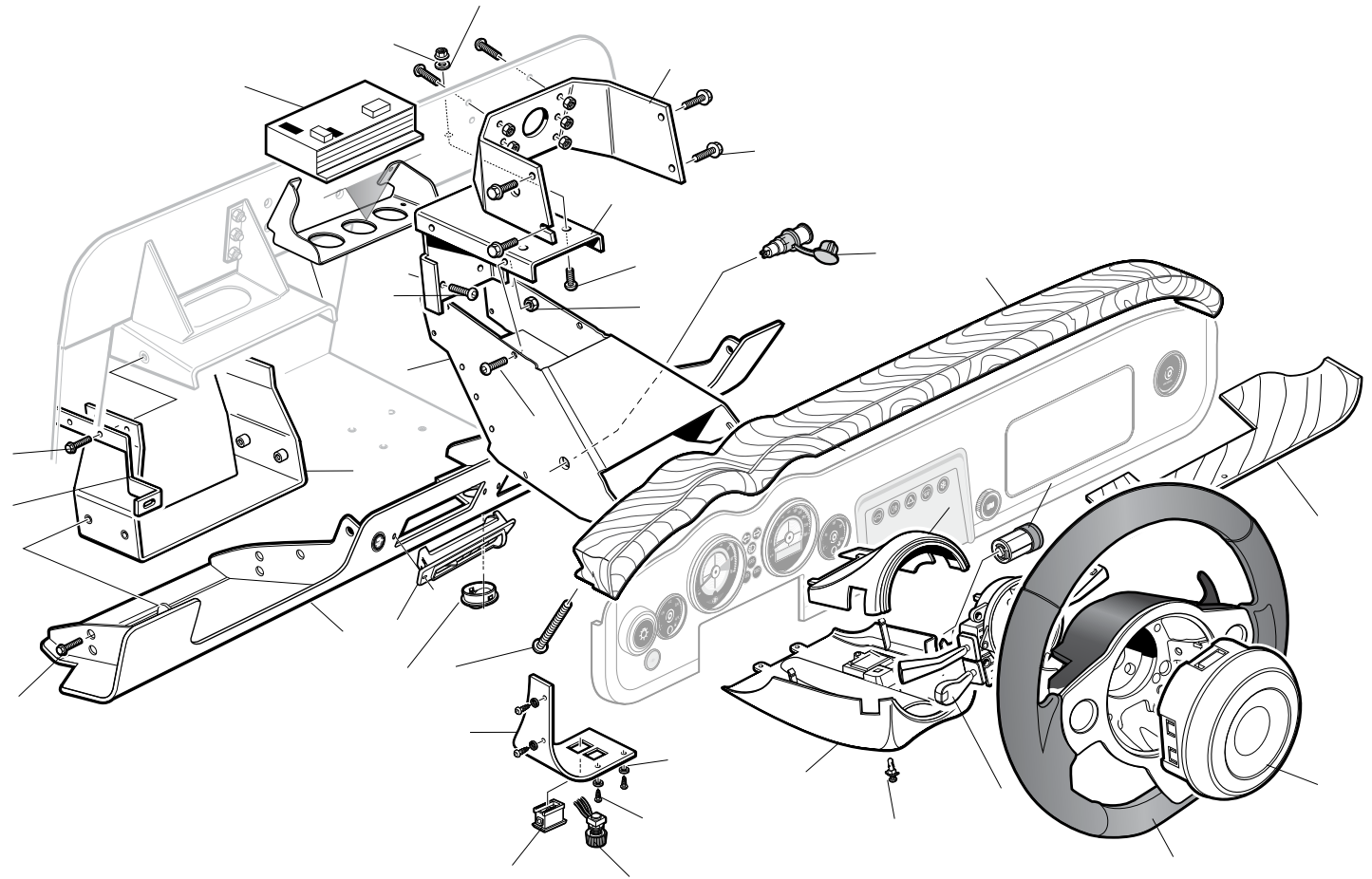


Steering Wheel and Dashboard Ancillaries



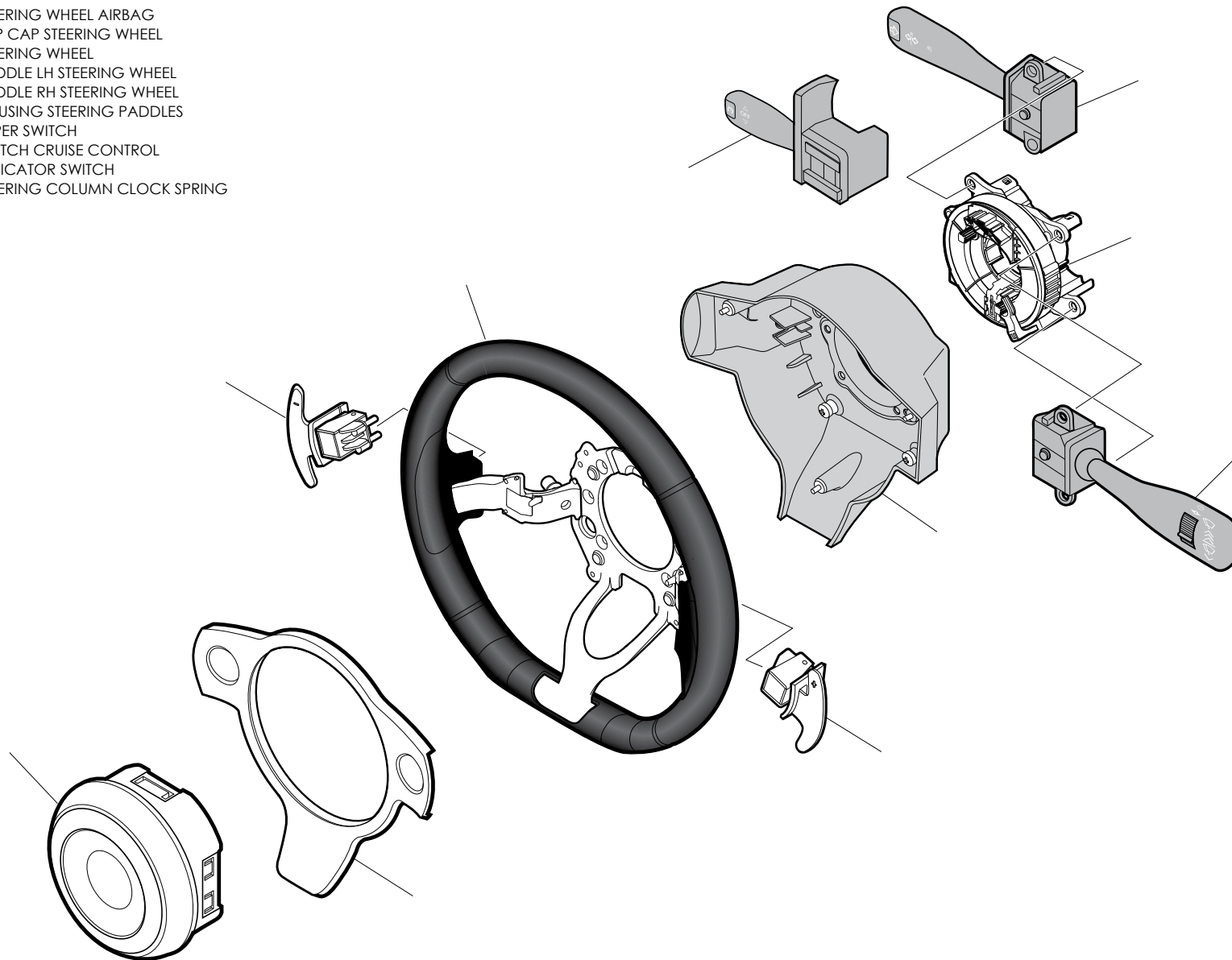
Steering Wheel and Dashboard Ancillaries

- | | | |
|-----|-----------|------------------------------------|
| 1. | A190026 | STEERING WHEEL (NO PADDLES) |
| | A190027 | STEERING WHEEL WITH PADDLES |
| 2. | U190036 | STEERING WHEEL AIRBAG |
| 3. | MDE17801 | INDICATOR SWITCH |
| | MDE17100 | WIPER SWITCH |
| | MDE15281 | SWITCH CRUISE CONTROL |
| 4. | MDE18750 | SWITCH HOUSING UPPER |
| 5. | MDE18751 | SWITCH HOUSING LOWER |
| 6. | MDE18760 | STEERING COWL SCREW |
| 7. | MGS0350 | CUP WASHER N0.4 |
| 8. | | POZI CSK 3x16 S/STEEL |
| 9. | MDE1926 | RHEOSTAT SWITCH |
| 10. | MEE69916 | DIAGNOSTICS PLUG HOUSING |
| 11. | RUP012163 | SWITCH PANEL UNDER DASH |
| | MUP14050 | SWITCH PANEL RH AMBLA |
| | MUP14051 | SWITCH PANEL LH AMBLA |
| | MUP14060 | SWITCH PANEL RH YARWOOD |
| | MUP14061 | SWITCH PANEL LH YARWOOD |
| 12. | | SOCKET BUTTON M6x55 |
| 13. | | SOCKET BUTTON M8 x 20 DACROMET |
| 14. | A430181 | KNEE BOLSTER UNDER DASH PANEL LH |
| | A430266 | KNEE BOLSTER UNDER DASH PANEL RH |
| 15. | | BOLT M6 X 16 |
| 16. | MBW10803 | DASHBOARD BRACKET |
| 17. | | SCREW M5 X 20 |
| 18. | MBW97031 | KNEE BOLSTER MTG BRACKET RHD |
| | MBW97030 | KNEE BOLSTER MTG BRACKET LHD |
| | MGS06310 | SCREW M6 X 55 (NOT SHOWN) |
| 19. | A430182 | KNEE BOLSTER MTG |
| 20. | MEE11300 | AIR BAG ECU |
| 21. | | SCREW BUTTON M6 X 15 |
| 22. | | NUT M6 FLANGED |
| 23. | | SCREW BUTTON M8 X 25 |
| 24. | MMM10125 | POWER SOCKET |
| 25. | MBW99138 | DASH RAIL LHD |
| | MBW99139 | DASH RAIL RHD |
| 26. | MBW97010 | KNEE BOLSTER MTG BRACKET-TUB |
| 27. | MGB0026 | BOLT SET M6 X 16 TENSILOCK FLANGED |
| 28. | MBW04710 | D/BOARD SCUTTLE BKT RH |
| | MBW04709 | D/BOARD SCUTTLE BKT LH |
| 29. | | WASHER PENNY 5/16 |
| 30. | MGN0095 | NUT M8 NYLOC (T) |
| 31. | B460003 | HVAC MTG BRACKET |
| 32. | MDE19800 | IGNITION CYLINDER |
| | MEE33301 | IGNITION KEY SET |
| 33. | U460006 | AIR VENT |
| 34. | U460012 | ROUND HEATER VENT |
| 35. | RUP02166 | UNDER DASH PANEL RH LHD |
| | RUP02165 | UNDER DASH PANEL LH RHD |



Steering Wheel

- | | | |
|-----|----------|------------------------------|
| 1. | U190036 | STEERING WHEEL AIRBAG |
| 2. | M190011 | TOP CAP STEERING WHEEL |
| 3. | A190026 | STEERING WHEEL |
| 4. | U190037 | PADDLE LH STEERING WHEEL |
| 5. | U190038 | PADDLE RH STEERING WHEEL |
| 6. | M190015 | HOUSING STEERING PADDLES |
| 7. | E340054 | WIPER SWITCH |
| 8. | MDE15281 | SWITCH CRUISE CONTROL |
| 9. | MDE17801 | INDICATOR SWITCH |
| 10. | S190001 | STEERING COLUMN CLOCK SPRING |



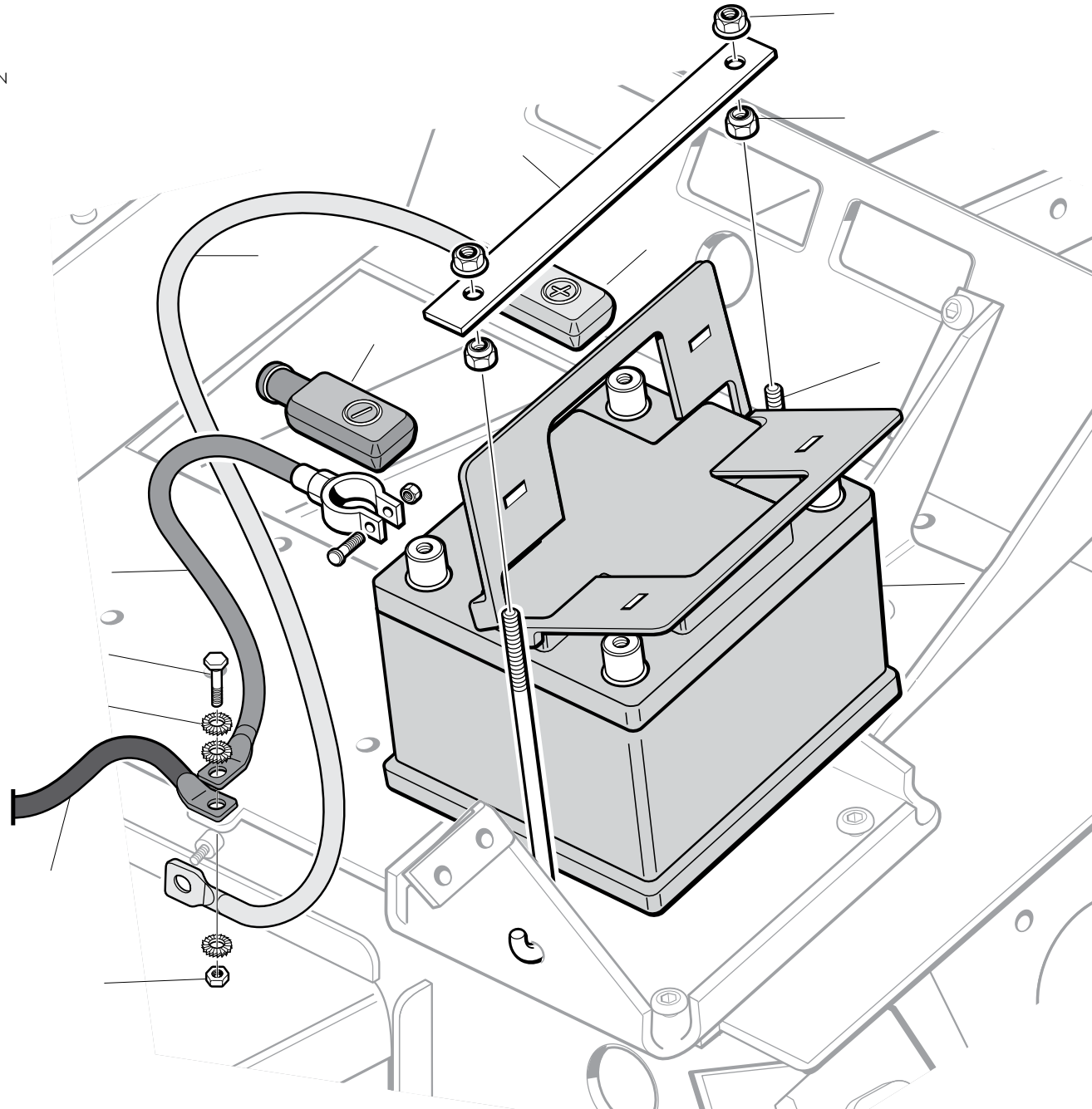


ELECTRICS

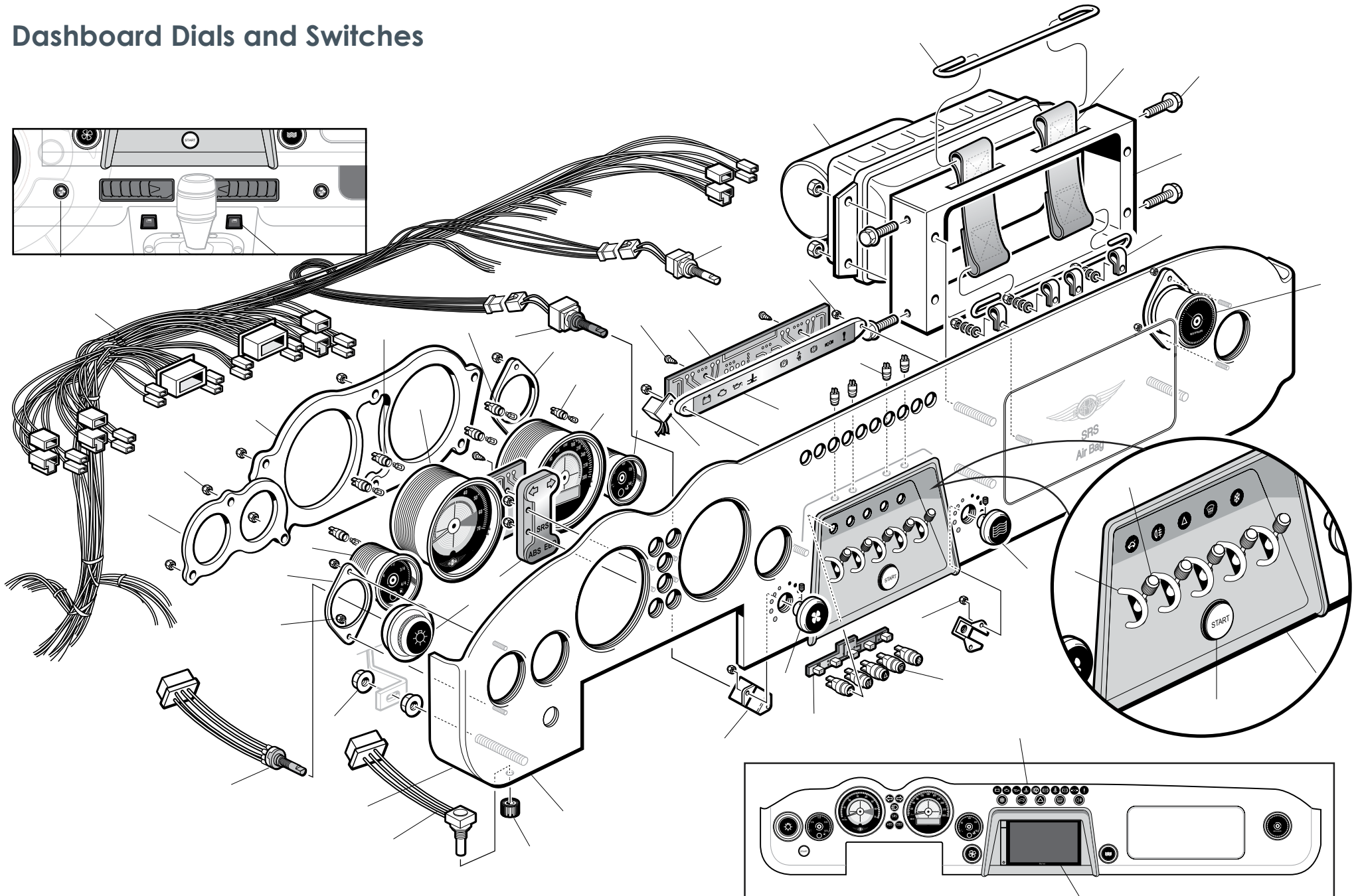
AERO 8 PARTS BOOK Version 2.1

Battery

- | | | |
|-----|----------|-----------------------------|
| 1. | MEE0013 | BATTERY |
| 2. | MCF32026 | BATTERY CLAMP RETAINING PIN |
| 3. | MGN0025 | NUT |
| 4. | MCF3292 | BATTERY CLAMP 4/4, +4 |
| 5. | MEH06461 | BATTERY LEAD |
| 6. | MEH0690 | BATTERY LEAD COVER +ve |
| 7. | MEH0650 | BATTERY LEAD |
| 8. | MEH0692 | BATTERY LEAD COVER -ve |
| 9. | MGN0025 | NUT M6 |
| 10. | MGB0315 | BOLT SET 5/16 X 1 HEX HEAD |
| 11. | MGW0208 | WASHER S/PROOF 5/16 |
| 12. | MEH0670 | ENGINE EARTH LEAD |



Dashboard Dials and Switches

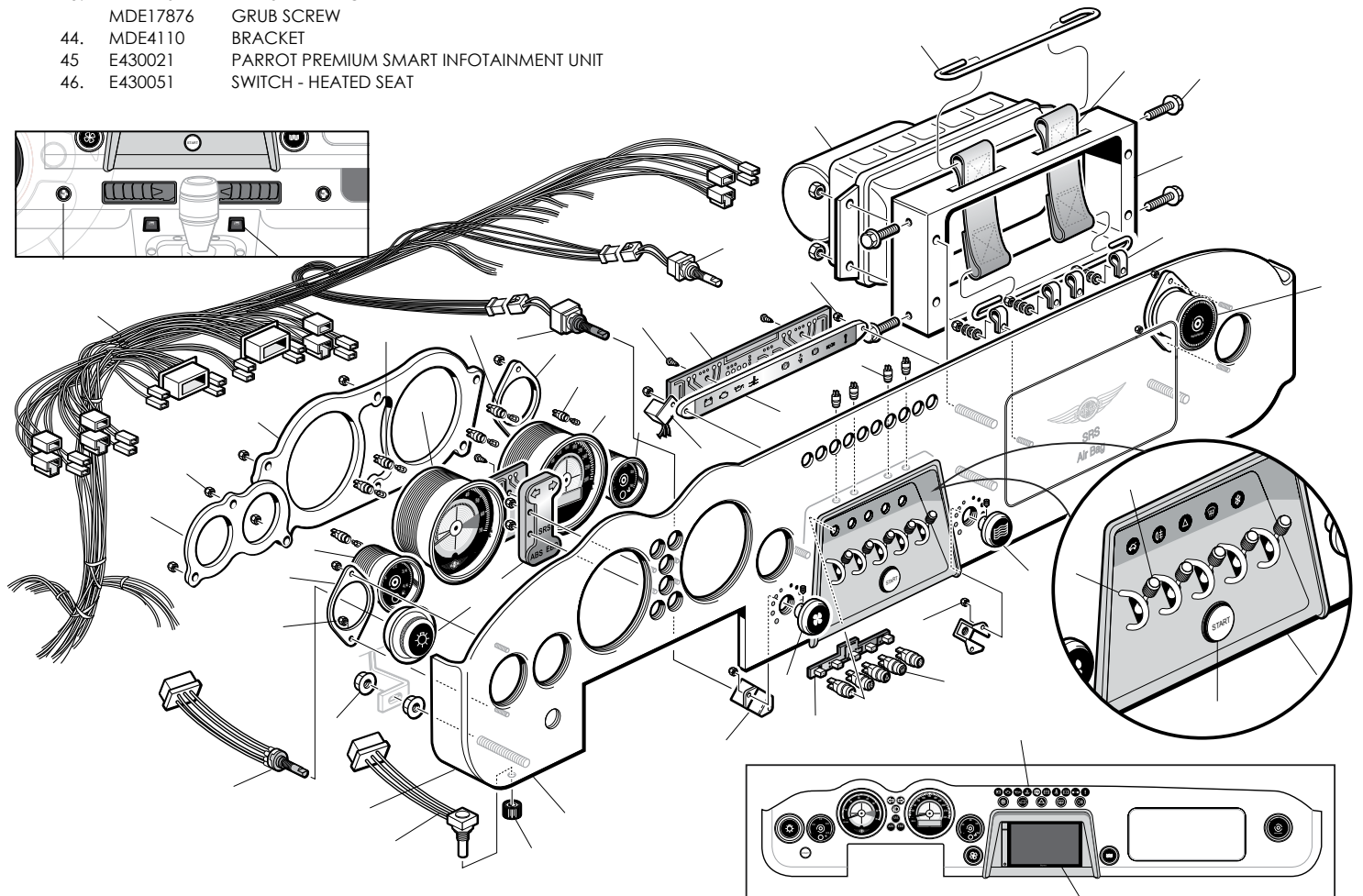


Dashboard Dials and Switches

- 1. A430172 INSTRUMENT PANEL LH
- A430173 INSTRUMENT PANEL RH
- 2. MCM43510 RUBBER EDGING STRIP
- 3. MDE14003 HEADLIGHT SWITCH
- 4. NUT M6 FLANGED
- 5. NUT M5 NYLOC
- 6. RDE16013 PLATE SINGLE MTG GUAGE
- 7. E340192 FUEL GAUGE 4.8 AERO
- 8. RDE16014 PLATE DOUBLE MTG GUAGE
- 9. NUT K M4
- 10. RDE16012 PLATE MTG SPEEDO/REV COUNTER
- 11. E340144 DASH LOO LHD UP TO
- E340145 DASH LOOM RHD UP TO
- E340207 DASH LOOM LHD FROM
- E340208 DASH LOOM RHD FROM
- 12. MDE16806 WARNING LIGHT LED PANEL
- 13. E340190 REV COUNTER
- 14. MDE4102 LIGHTS KNOB AERO 8
- T340004 SWITCH MOUNTING
- 15. RDE16011 DASH WARNING LIGHT BASE
- RDE16010 DASH WARNING LIGHT GRAPHICS
- 16. MDE0395 BULB
- 17. MDE17883 FAN SWITCH (POTENTIOMETER)
- 18. NSS NOT SUPPLIED SEPARATELY
- 19. E340188 SPEEDO MPH
- E340189 SPEEDO KPH
- 20. E340193 TEMP GAUGE
- MDE0395 BULB
- 21. NSS NOT SUPPLIED SEPARATELY
- 22. MDE16802 WARNING LIGHT DISPLAY PANEL
- 23. SCREW STYLUS POZI 4 X 13
- 24. A340033 CIRCUIT BOARD
- MDE17883 SWITCH HEATER
- 26. NUT K M4
- 27. E350004 LED TOGGLE SWITCH DOWNLIGHTERS
- 28. MBW97310 AIR BAG PASSENGER
- MBW97316 MOUNTING BRACKET
- 29. MBW10736 AIR BAG STRAP TOP
- MBW10737 AIR BAG STRAP LOWER
- 30. MBW10735 RETAINING STRAP
- 31. BOLT SET M6 X M16
- 32. MSR40051 AIR BAG SHOOT
- 33. MGE0100 WIRING CLIP
- 34. E340194 TIME CLOCK
- 35. T430077 CENTRE INSTRUMENT SWITCH PANEL
- 36. E430038 START BUTTON
- 37. T430072 SWITCH GUARD HOOP
- 38. E430020 TOGGLE SWITCH
- B430033 TOGGLE SWITCH MTG BRACKET
- E430032 TOGGLE SWITCH MOMENTARY
- T430001 TOGGLE SWITCH KNOB

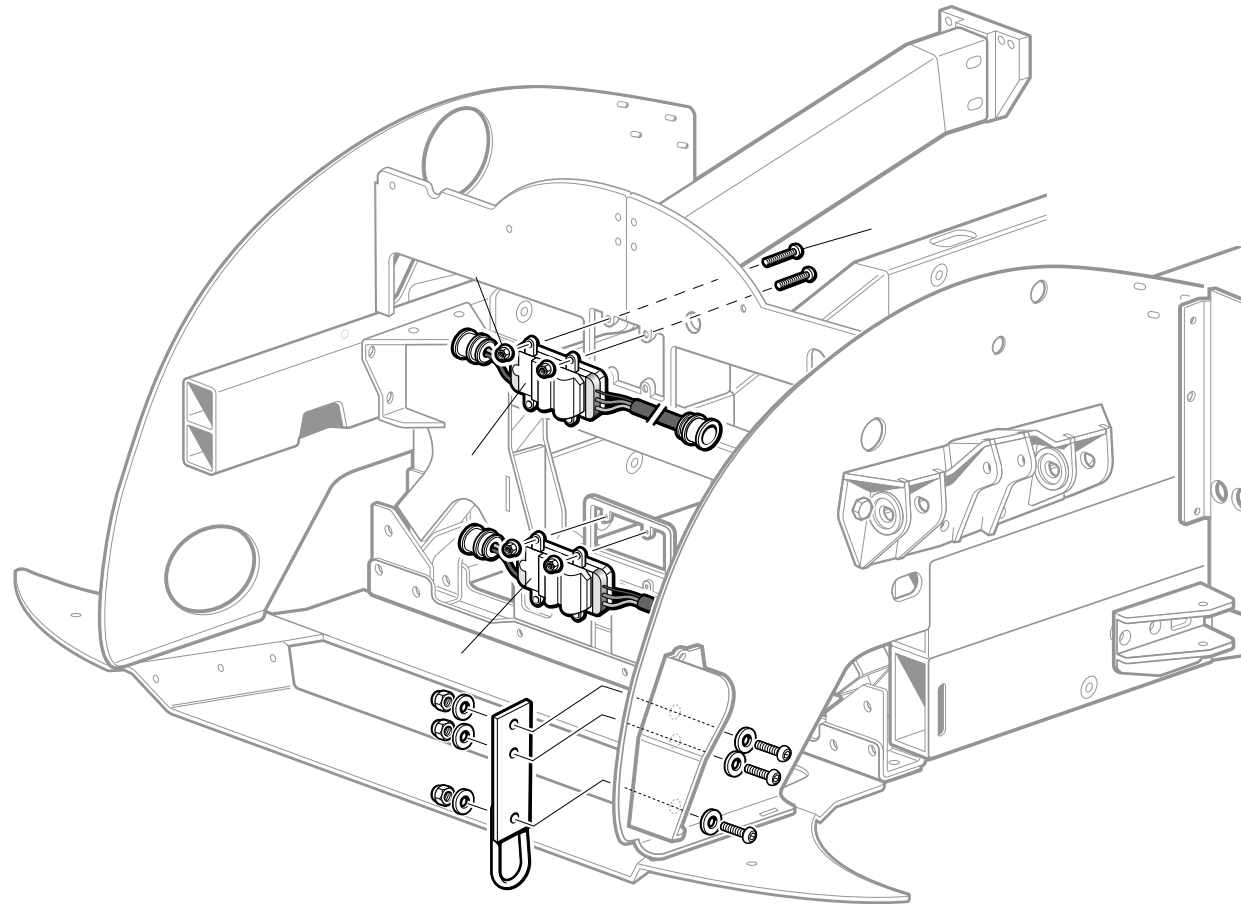
- 39. MDE4100 HEATER KNOB
- MDE17876 GRUB SCREW
- 40. NUT K M4
- 41. E430037 WARNING LAMP - BOOT RELEASE
- E430036 WARNING LAMP - REAR FOG
- E430033 WARNING LAMP - HAZARD
- E430034 WARNING LAMP - HEATED SCREEN
- E430035 WARNING LAMP - AIR CON
- 42. A430168 INSTRUMENT PANEL PARROT OPTION LHD
- A430169 INSTRUMENT PANEL PARROT OPTION RHD
- 43. MDE4101 FAN SPEED KNOB
- MDE17876 GRUB SCREW
- 44. MDE4110 BRACKET
- 45. E430021 PARROT PREMIUM SMART INFOTAINMENT UNIT
- 46. E430051 SWITCH - HEATED SEAT

- 47. MDE17857 ELECTRIC WINDOW SWITCH
- 48. A370008 DASH INSTRUMENT FUNCTION LIGHTS & SWITCH ASSY.
- A340033 DASH FUNCTION LIGHT PCB ASSY (PARROT)
- 49. D430031 PLATE MTG GAUGE
- 50. MDE1926 RHEOSTAT SWITCH
- 51. MDE41025 KNOB

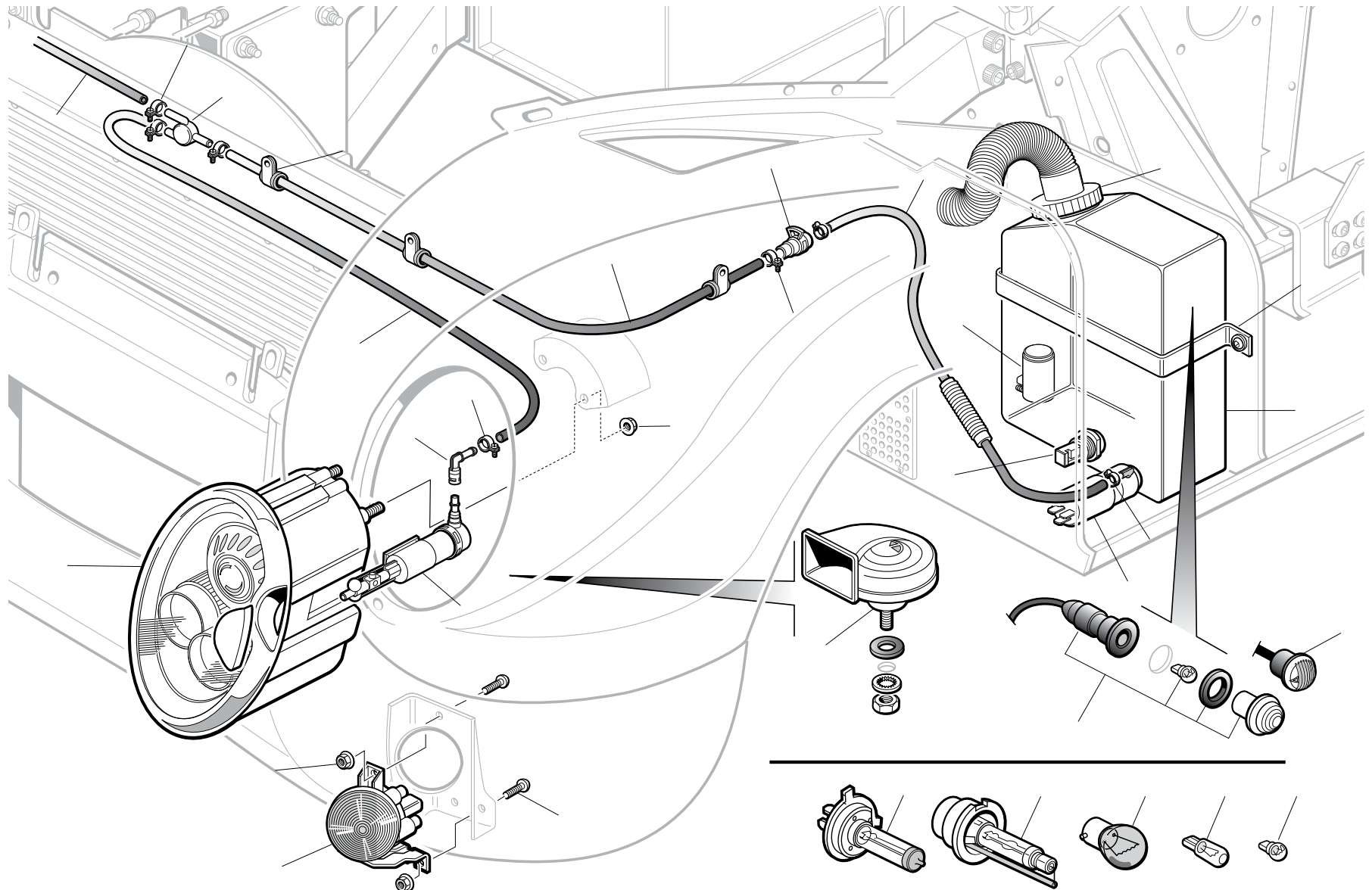


Modules

1. MEE11251 MODULE (FAN CONTROL)
2. SCREW 5/32 X 1.1/4 BSW
WASHER HEAD ZINC/CLEAR PASS.
3. NUT 5/32 BSW HEX FULL STEEL ZINC AND
YELLOW PASSIVATED
4. MEE11251 MODULE

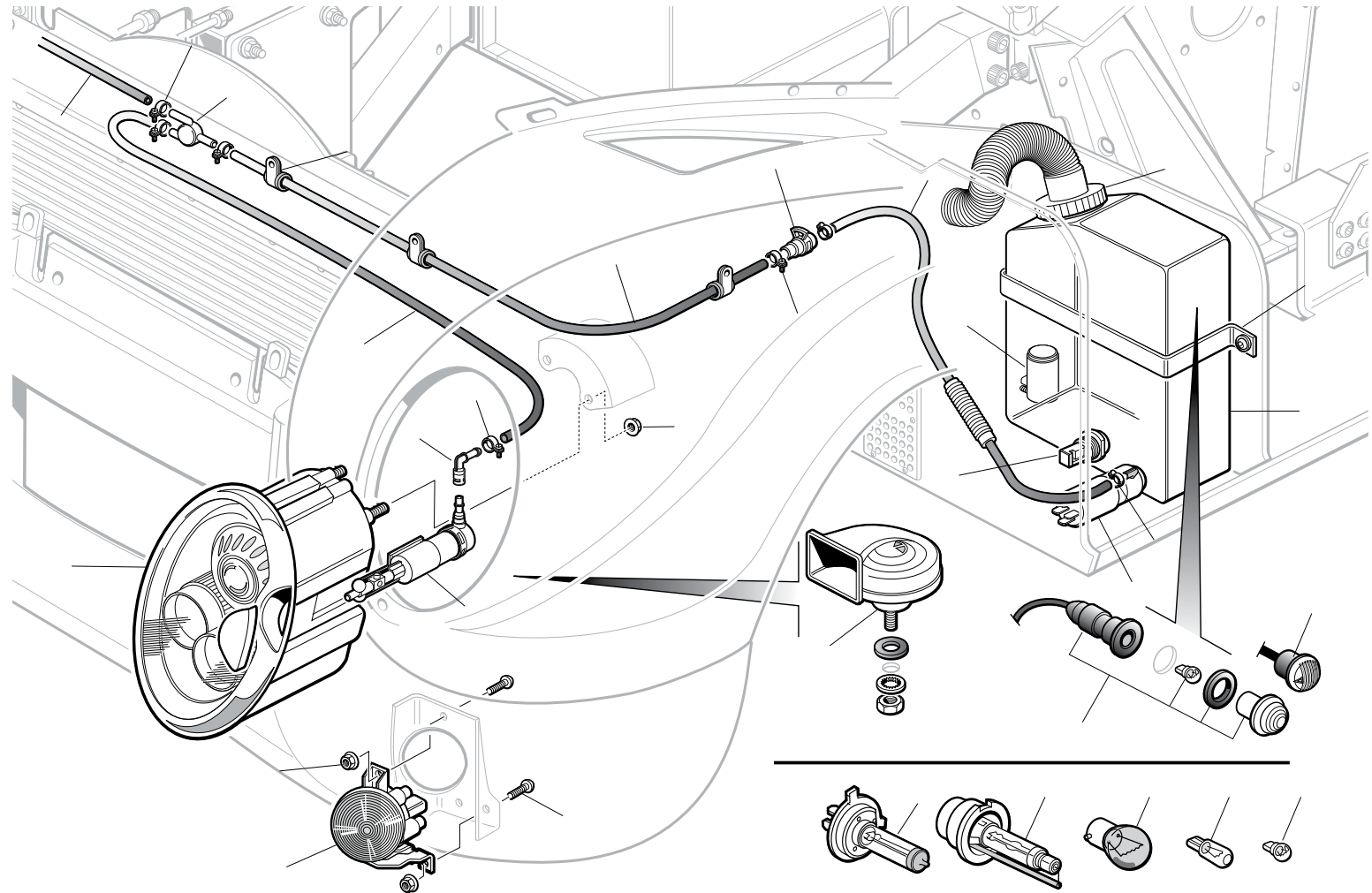


Headlamp, Washers, Indicators and Horn

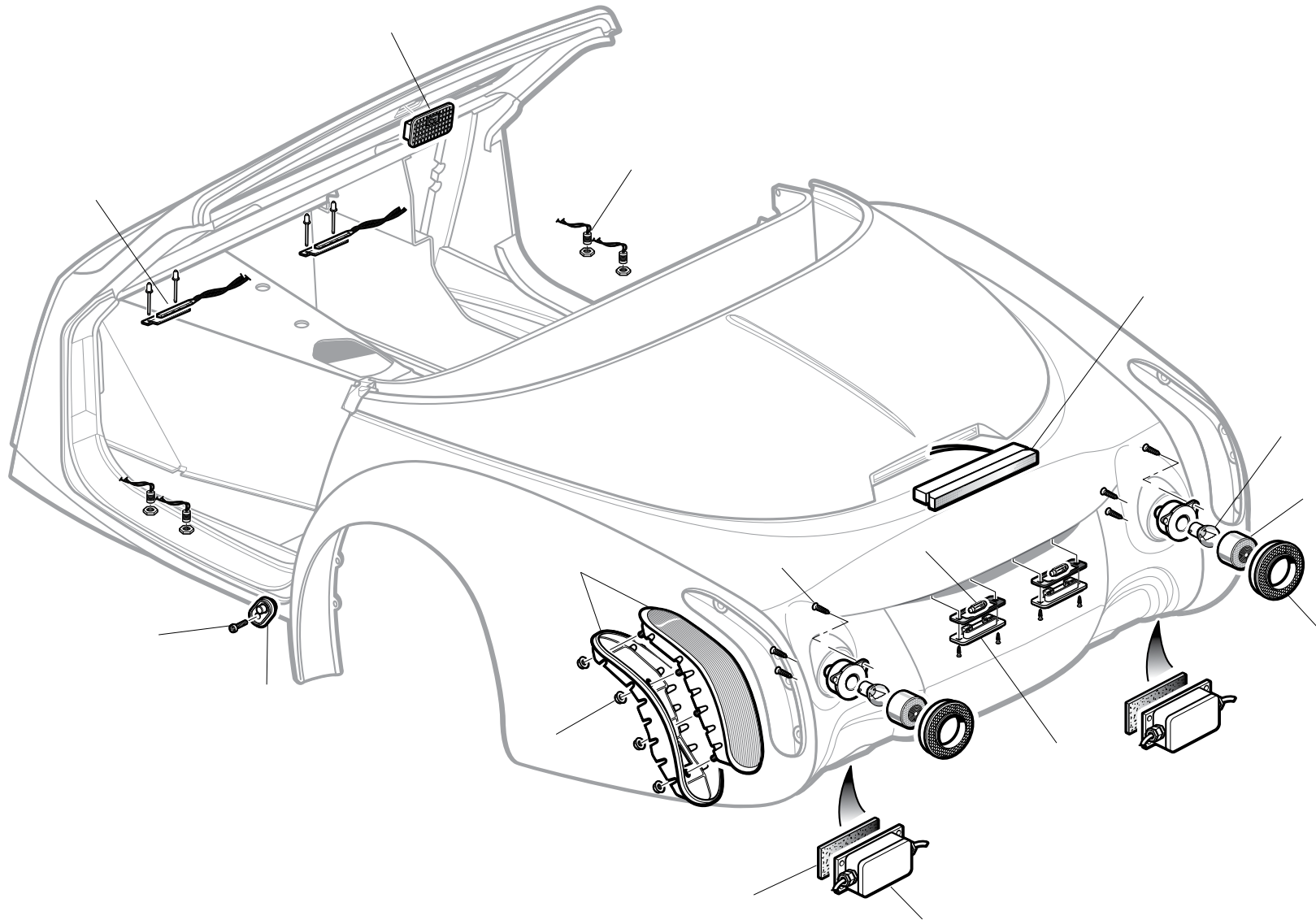


Headlamp, Washers, Indicators and Horn

- 1. MLA01561 HEADLAMP RH RHD
- MLA01551 HEADLAMP LH RHD
- MLA01556 HEADLAMP RH LHD
- MLA01566 HEADLAMP LH LHD
- 2. MWA02900 HEADLAMP WASHER JET RH
- MWA02901 HEADLAMP WASHER JET LH
- MWA02905 HEADLAMP WASHER JET COVER RH
- MWA02906 HEADLAMP WASHER JET COVER LH
- MWA02913 RH WASHER JET INLINE CONNECTOR
- 3. MGC0022 HOSE CLIP 14MM
- 4. MWA02911 WINDSCREEN WASHER JET HOSE
- 5. MWA02912 WASHER JET HOSE T PIECE
- 6. MGC0022 CLIP
- 7. MGC0022 HOSE
- 8. MWA02911 CLIP METAL RUBBER LINED 16MM
- 9. MGE0143 WINDSCREEN WASHER JET HOSE
- 10. MWA02911 NUT M5 FLANGED
- 11. MGC0022 HOSE CLIP 14MM
- 12. MWA02915 LH WASHER JET INLINE CONNECTOR
- 13. MWA02910 RESERVOIR HOSE HEADLAMP
- 14. MWA02807 WASHER BOTTLE CAP
- 15. MWA02805 WINDSCREEN WASHER BOTTLE BRACKET
- 16. MWA02800 WINDSCREEN WASHER BOTTLE
- 17. MWA02804 WASHER BOTTLE PUMP
- 18. MWA02921 LOW LEVEL SENSOR
- 19. MGC0022 HOSE CLIP 14MM
- 20. MWA02895 WASHER PUMP HEADLAMP
- 21. MWA02895 FLASHER REPEATER LAMP UP TO 02/03/2017
- 22. MLA0555
- 23. MEE0950 HORN HIGH NOTE
- MEE0960 HORN LOW NOTE
- 24. SCREW SOCKET BUTTON M5 X 20
- 25. NUT M5 FLANGED
- 26. MLA05021 FLASHER LAMP LH
- MLA05001 FLASHER LAMP RH
- 27. MLA0472 HEADLAMP MAIN BEAM BULB
- 28. MLA04730 DIP BULB
- 29. MLA0382 FLASHER BULB
- 30. MLA04750 SIDELAMP BULB
- 31. MLA0233 FLASHER REPEATER LAMP
- 32. U350002 L.E.D. SIDE REPEATER 02.03.17 ON

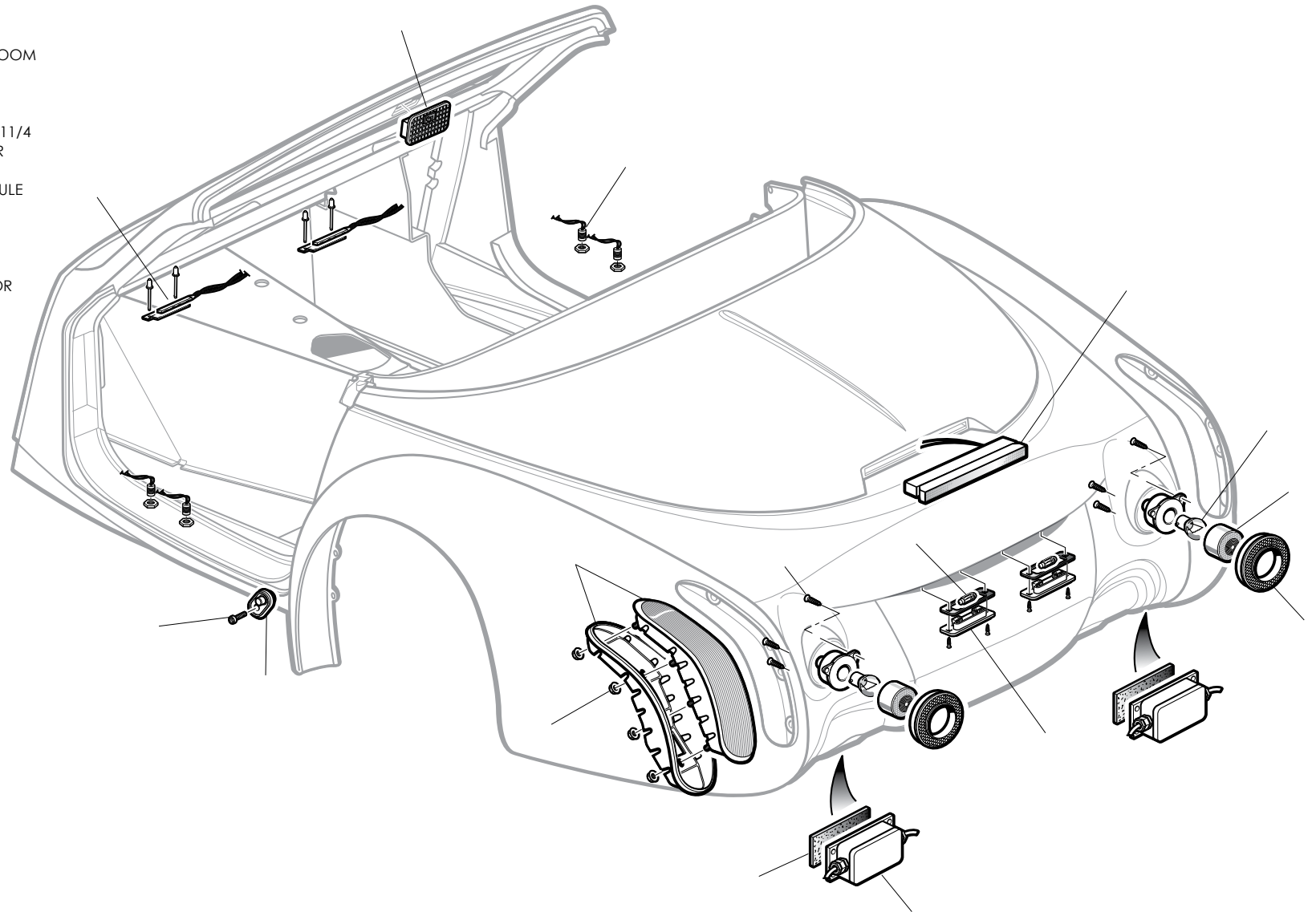


Rear Lights



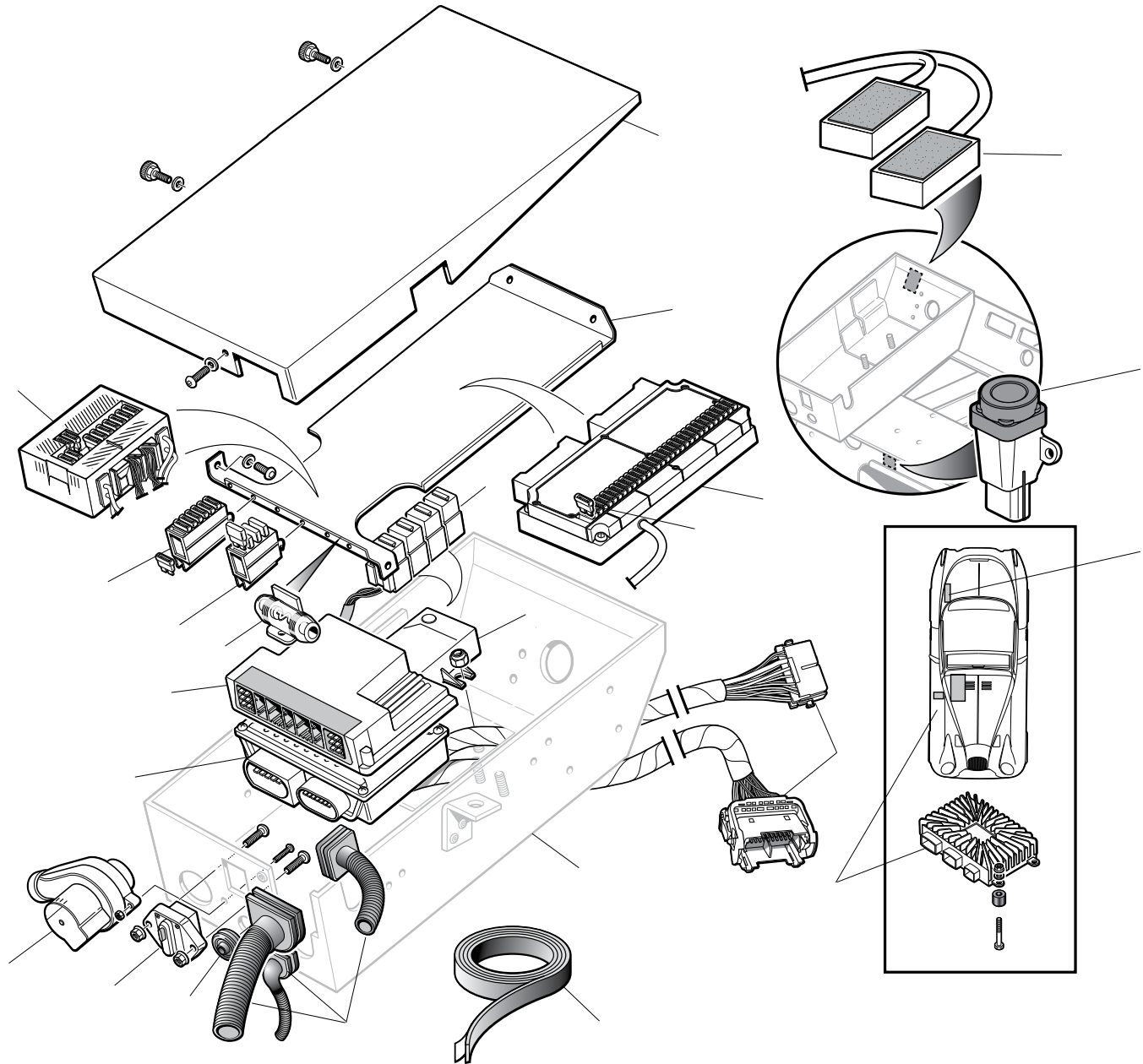
Rear Lights

- 1. MLA97902 INTERIOR LIGHT
- 2. MLA97906 L.E.D. INTERIOR LIGHT
- 3. MLA0777 LAMP HIGH LEVEL
- 4. MLA0382 BULB
- 5. MLA06202 REAR FOG LIGHT
- MLA09002 REVERSE LAMP
- MLA06203 REVERSE/FOG LAMP LOOM
- 6. MLA06052 REFLECTOR ASSY.
- 7. E340029 NUMBER PLATE LAMP
- 8. E340075 BULB
- 9. SCREW WOOD CSK 5x11/4
STEEL ZINC AND CLEAR
PASSIVATED
- 10. MEE69910 LIGHT CONTROL MODULE
- 11. MCA1321 TAPE
- 12. M5 FLANGED NUT
- 13. MLA07504 REAR LAMP RH
- MLA07503 REAR LAMP LH
- 14. MDE1720 SWITCH DOOR INTERIOR
- 15. STYLUS POZI CSK
4 X 20 HARDENED
- 16. E400001 L.E.D LIGHT STRIP



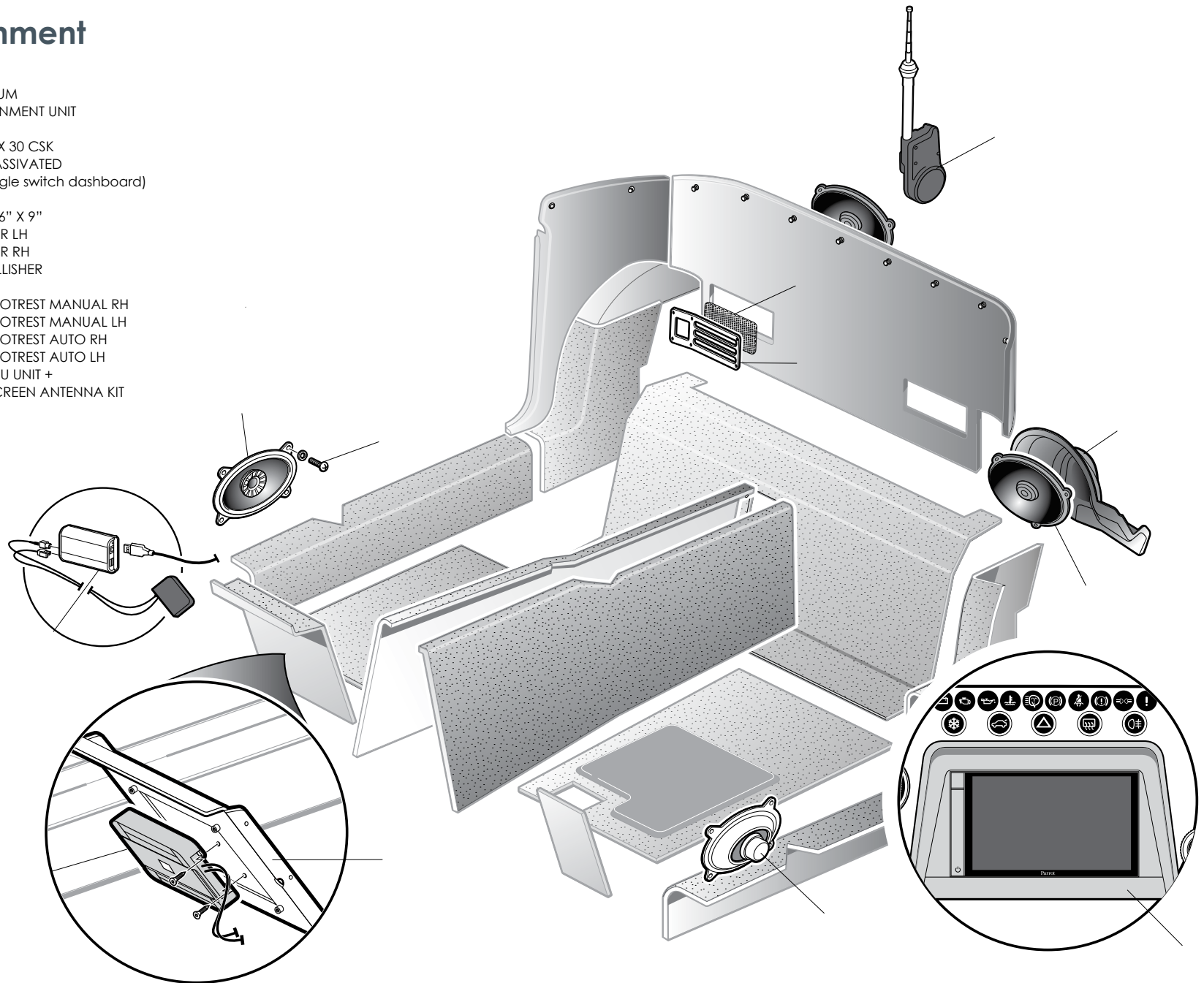
Fuse Box

- 1. MEE11220 ELECTRIC BOX FAN
- 2. MEE11203 VVT ECU
- 3. MEE11205 ECU MANUAL
- MEE11208 ECU AUTO
- 4. MEE07010 MAXI FUSE 50 AMP
- MEE07015 MAXI FUSE 60 AMP
- MEE07020 MAXI FUSE 80 AMP
- 5. MEE0701 FUSE 50 AMP
- MEE0699 FUSE 40 AMP
- MEE0698 FUSE 25 AMP
- MEE0696 FUSE 20 AMP
- MEE0697 FUSE 15 AMP
- MEE0695 FUSE 10 AMP
- 6. MEE09285 IVM RELAY BLOCK
- 7. P060179 E-BOX LID
- 8. B340021 MASTER CONTROL UNIT MTG BKT
- 9. MEE09265 RELAY GREEN
- MEE09266 RELAY BROWN
- 10. E340138 MASTER CONTROL UNIT
- 11. MEE0697 FUSE 15 AMP
- MEE0696 FUSE 20 AMP
- MEE0698 FUSE 25 AMP
- MEE0699 FUSE 40 AMP
- MEE0701 FUSE 50 AMP
- 12. MEE33301 EWS - IGNITION KEY SET
- 13. E340143 E BOX HARNESS UP TO 24/5/2016
- E340206 E BOX HARNESS FROM 24/5/2016 ON
- 14. A090018 ECU BOX
- 15. MUP0105 SEAL
- 16. E340149 ENGINE BAY LOOM
- 17. MGE0020 GROMMET
- 18. MEE07040 CIRCUIT BREAKER 150 AMP
- 19. E340139 FRONT CONTROL UNIT
- 20. E340140 REAR CONTROL UNIT
- 21. MEE2035 INERTIA SWITCH
- 22. MEE69915 OBD-ON-CAN-CONVERTOR
- MEE69916 OBD CONNECTOR HOUSING
- MEE69926 P.I.E CONTROL UNIT
- 23. E270001 40 AMP FUSE - GOLD AGU
- E270002 IN LINE FUSE HOLDER



Sound & Infotainment

1. E430021 PARROT PREMIUM SMART INFOTAINMENT UNIT
2. MMM1042 SPEAKER
3. SCREW MT M5 X 30 CSK ZINC/CLEAR PASSIVATED
4. U270001 AMPLIFIER (Toggle switch dashboard)
5. MMM1042 SPEAKER
6. MMM10627 REAR SPEAKER 6" X 9"
7. M430049 SPEAKER COVER LH
M430050 SPEAKER COVER RH
8. D430034 SPEAKER EMBELLISHER
9. P430211 SPEAKER MESH
10. A430265 PASSENGER FOOTREST MANUAL RH
A430264 PASSENGER FOOTREST MANUAL LH
A430268 PASSENGER FOOTREST AUTO RH
A430267 PASSENGER FOOTREST AUTO LH
11. E340258 DENSON DAB+U UNIT + DAB1 ANT W/SCREEN ANTENNA KIT
12. MMM10190 AERIAL AEROS



List of Fuses

Fuse No.	Protects	Fuse Type
30	DME /IVM	5A
29	Airbag	10A
28	Mid Control Unit	5A
27	Cruise Control / Powertrain Interface Electronic	15A
26	Heated Screen	20A
25	HVAC Signal	20A
24	Spare	5A
25	HVAC Signal	20A
24	Spare	5A
23	Fog / Ind Rear RHS & LHS / Brake LHS & Centre / Rev Light / Side LHS	20A
22	Mid Control Unit	15A
21	Horn LHS / Dip Headlights RHS / Side Repeater RHS / Side Light LHS	20A
20	OBD /PIE	5A
19	Spare	10A
18	RCU	5A
17	Fuel Pump	20A
16	Xenon Wash / Indicator Front RHS / Front Fog LHS (if fitted)	15A
15	Parrot/Amplifier	10A
14	Side Repeater LHS / Horn RHS / Main Bean LHS / Side Light RHS	10A
13	Boot light/PIE / OBD Socket / OBD Gateway / Heater Temp Control	20A
12	Int Lights / Bulb Light Fail / Warn Sounder / instruments / instrument illumination	20A
11	Parrot/Amplifier / Window Switch / Aerial Booster / EWS / IND Buzzer	20A
10	Master Control Unit Internal Fuse	3A
09	Wiper Motor Fast Speed	15A
08	Wiper Motor Slow Speed	15A
07	12V Socket / Map Light	15A
06	VDO Instrument / Key in Ignition	15A
05	Side Light Rear LHS / Brake Light RHS / No. Plate Lights	15A
04	Central Locking	15A
03	Indicator Front LHS / Dip Headlight LHS / Front Fog RHS (if fitted)	20A
02	Windscreen Washer / Main Beam RHS	20A
01	Electric Windows Motor	30A

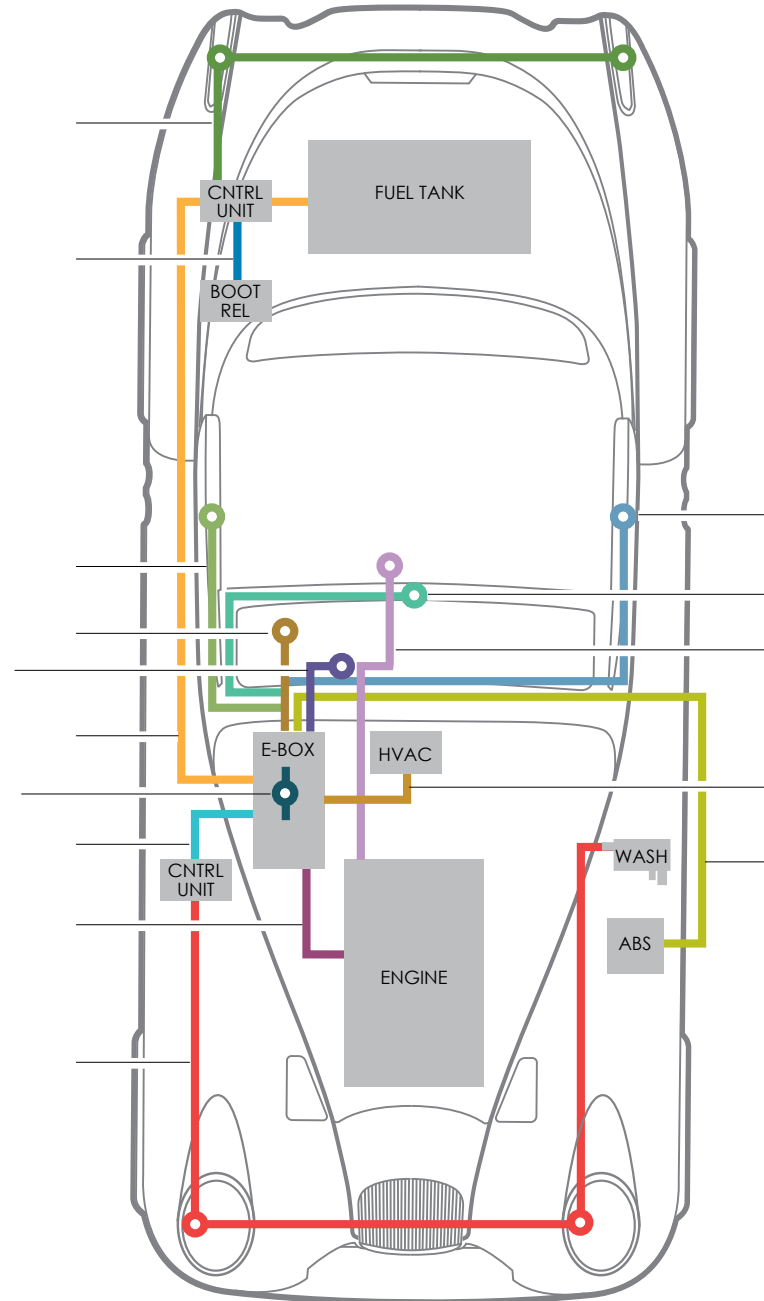
RELAY
WIPER PARK
RELAY
STARTER
RELAY
FUEL PUMP
RELAY
AUTO BOX

AUX FUSES		
AX4	START	20A
AX3	AUTO	20A
AX2	ABS	10A
AX1	ABS	25A
AX5	H/SEAT	20A
AX6	BOOT	20A

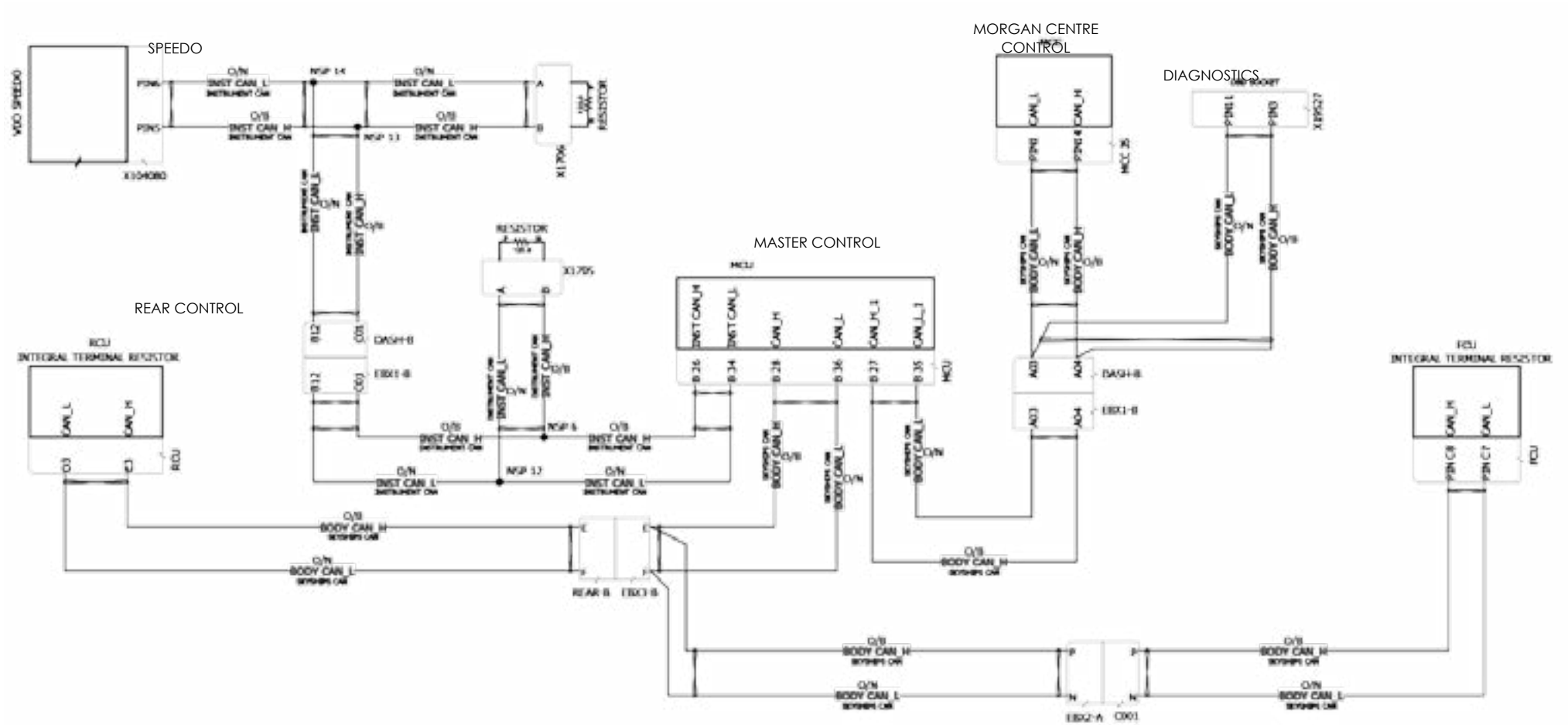
MAXI FUSES		
MF4	FANS	50A
MF1	IGN	50A
MF2	ABS	50A
MF3	IVM	60A

Wiring Harnesses

- 1. E340150 HEADLIGHT LOOM (SKYSHIPS)
- 2. E340149 ENGINE BAY LOOM (SKYSHIPS)
- 3. E340205 CENTRAL CONTROL UNIT LOOM
- 4. E340206 E BOX HARNESS
- 5. E340209 REAR HARNESS
- 6. E340246 PUSH BUTTON LOOM PARROT OPTION
- 7. E340207 INSTRUMENT HARNESS LHD
- 8. E340208 INSTRUMENT HARNESS RHD
- 9. E340211 DRIVER DOOR HARNESS
- 10. A340040 BOOT RELEASE SUB LOOM
- 11. MLA06203 FOG/REVERSE LOOM
- 12. E340210 PASSENGER DOOR HARNESS
- 13. A350001 INTERIOR LIGHT CABLE LOOM
- 14. E340152 AUTO GEARBOX LOOM
- 15. E340245 HVAC WIRING LOOM
- 16. MEH10150 ABS SENSOR LOOM



Controller Area Network Topology

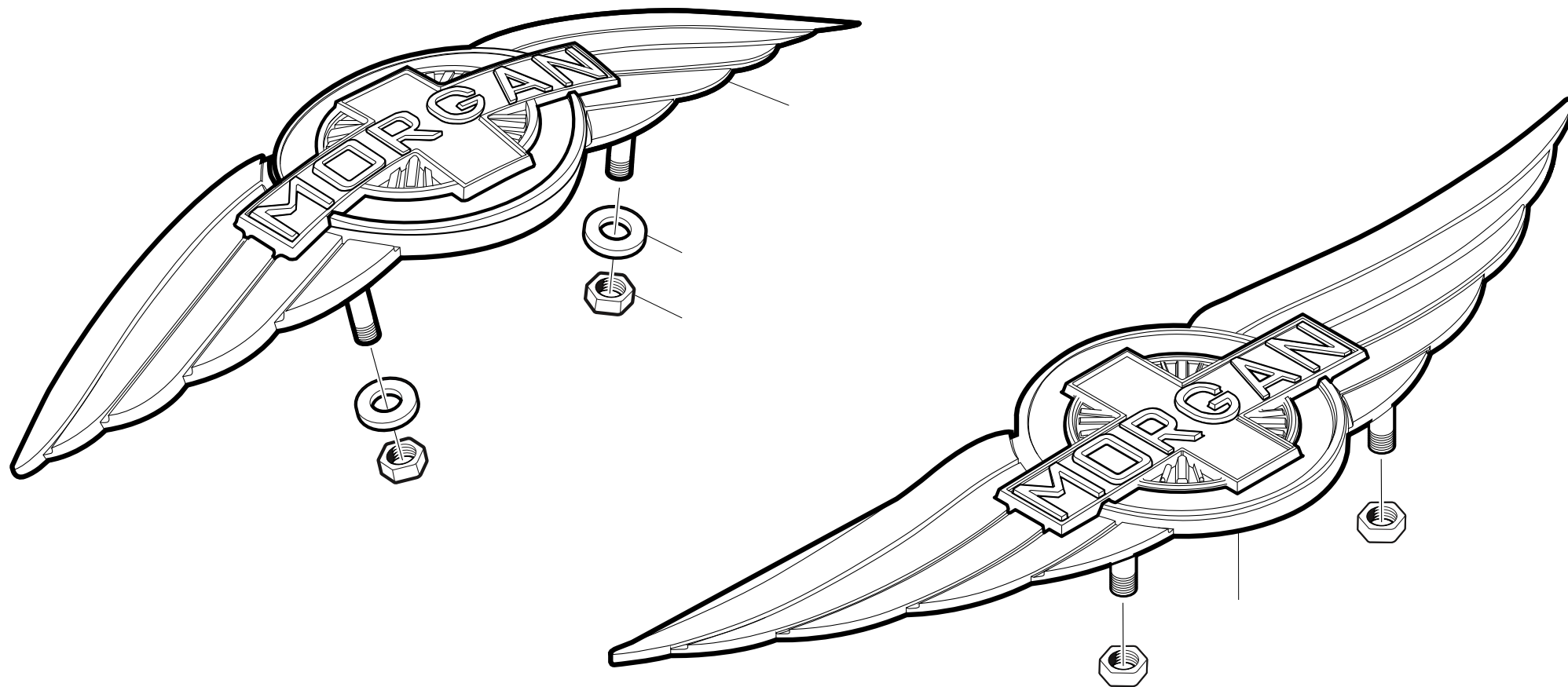




MISCELLANEOUS

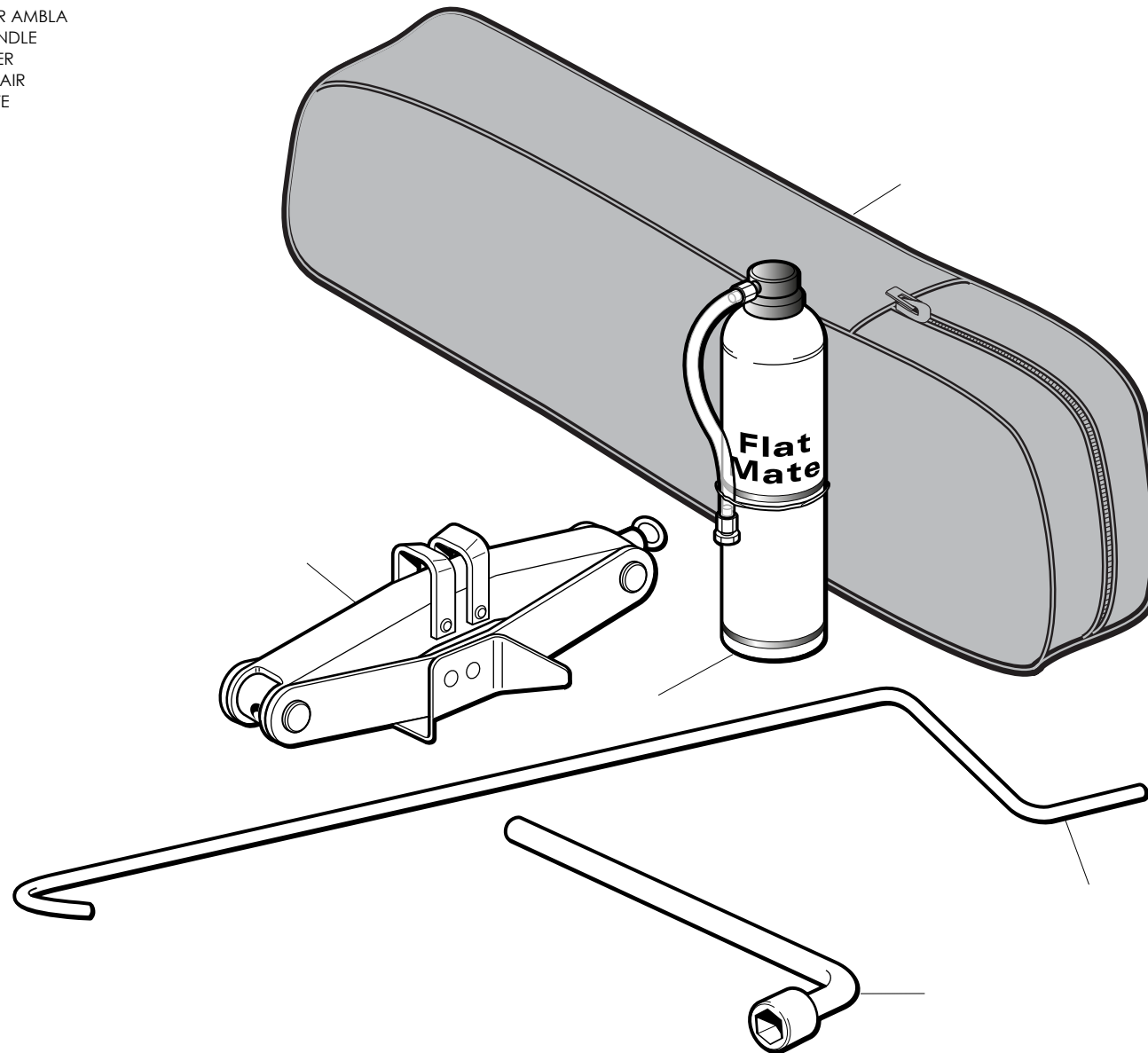
Morgan Cowl Badge

1. MBC0886 CURVED WINGS BADGE FRONT
2. MGN0013 NUT
3. MGW0250 WASHER
4. MBC0885 WINGS BADGE REAR



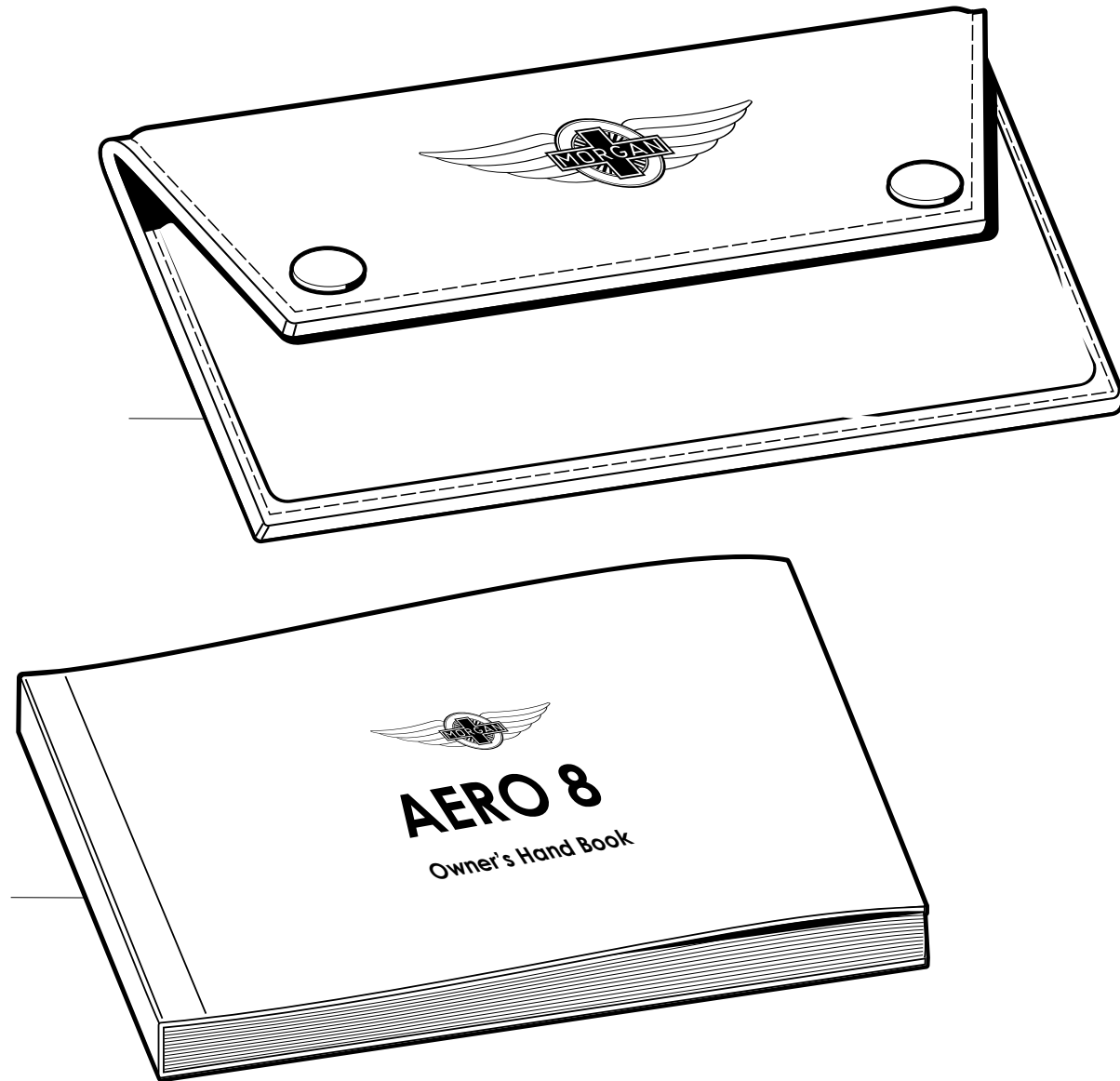
Tool Kit

- | | | |
|----|----------|----------------------------------|
| 1. | MUP4745 | TOOL BAG 4STR AMBLA |
| 2. | MRW0500 | JACK C/W HANDLE |
| 3. | MRW03660 | WHEEL SPANNER |
| 4. | MRW10790 | PUNCTURE REPAIR
CAN FLAT-MATE |
| 5. | MRW0500 | SCISSOR JACK |



Vehicle Documents

1. MMM5800 DOCUMENT WALLET
2. L010008 AERO 8 HANDBOOK



Oil & Lubricants

- | | | |
|---|----------|--|
| 1 | CGO00051 | ENGINE OIL OW-30 |
| 2 | CGO0028 | OIL GEARBOX AERO BMW 83220142516 |
| 2 | CGO0012 | OIL ATF BMW AUTO TRANS FLUID 83 22 0 142 516 |
| 3 | U130012 | DIFFERENTIAL OIL 75W-140 |

